

ADDENDUM NO. 2

CITY OF SAN RAMON
NORRIS CREEK SEDIMENT REMOVAL PROJECT
(CIP 100001-A)

Bid Date: Monday, July 31, 2023 – 2:00 PM

TO ALL BIDDERS:

Notice is hereby given that the following revisions are hereby made a part of and incorporated into the contract documents for the subject project:

Change No. 1: Page 3 of the Table of Contents has been updated in the Contract Specification. Replace Page 3 of the Table of Contents with the revised Page 3 in the Contract Specification.

Change No. 2: Appendix A and B of the Contract Specification has been added. Refer to the added section of Appendix A and B.

Change No. 3: Bid Item No. 5 of the Bid Schedule on Page 10 in the Contract Specification has been updated. Replace Page 10 of the Contract Specification with the revised Bid Schedule.

Change No. 4: Sections 4.3, 4.4, 5.5 and 7.2 of the Technical Specification on Pages 80, 81 (Rev.1) and 83 have been updated. Replace Pages 80, 81 (Rev.1) and 83 of the Technical Specifications with the revised Pages 80, 81 (Rev. 2) and 83 in the Contract Specification.

Change No. 5: City received questions from bidders. Please refer to section C “Questions received via email” to see the responses to these questions received after July 14, 2023.

All bidders shall acknowledge receipt and acceptance of Addendum No. 2 by signing in the space provided at the end of this Addendum and submitting the signed Addendum with the bid package. Acknowledgement shall also be indicated on the first page of the "BID PROPOSAL FORM" of the contract documents.

Bids will not be accepted unless Addendum No. 2 is attached to the bid proposal.

Please incorporate the listed changes within this Addendum into the Contract Documents.

City of San Ramon

Robin Bartlett

Date: 7/25/23

Robin Bartlett, P.E., G.E., CFM, QSD
Division Manager

Please sign and return with your proposal to acknowledge receipt.

Signature of Bidder, Title

Date: _____

Company

**CITY OF SAN RAMON
NORRIS CREEK SEDIMENT REMOVAL PROJECT
(CIP 100001-A)**

**ADDENDUM NO. 2
JULY 26, 2023**

TO: ALL HOLDERS OF THE Plans and Specifications for the City of San Ramon's
"NORRIS CREEK SEDIMENT REMOVAL PROJECT (CIP 100001-A)".

FROM: City of San Ramon – Public Works Department

The following modifications and/or clarifications to the Contract Documents are provided. They shall be incorporated into the plans and specifications of the Norris Creek Sediment Removal scheduled for bid opening on **Monday, July 31, 2023 at 2:00pm:**

A. Project Specifications

1. Replace Page 3 of the Table of Contents, in its entirety, with revised Page 3 of the Table of Contents shown on this addendum. Revisions are highlighted and bolded.
2. Add Appendix A "Norris Creek Soil Laboratory Analytical Test Result" to the contract bid documents.
3. Add Appendix B "Norris Creek As-Built Drawings" to the contract bid documents.
4. Replace Pages 10, 80, 81 (Rev.1), and 83 in its entirety, with revised Pages 10, 80, 81 (Rev.2) and 83 shown on this addendum. Revisions are highlighted and bolded.

B. Project Plans

1. Replace Sheets 2 through 6 of the contract plans, in its entirety, with revised Sheets 2 through 6 included in this addendum. Revisions are clouded.

C. Questions received via email

1. *Plans – Sheets 2- 6 – Can CAD files be made available for accurate Takeoff?*

CAD files will not be available. The City estimated 3,500 CY of sediment removal based on the comparison of a recent topographic survey and the original designed topography. The City will verify the actual quantity of removal.

2. *Plans – Sheets 2- 6, Technical Specifications Page 79 - Can the number of Trees for Removal be identified?*

The Contractors are responsible for identifying trees for removal and protection based on their tools and equipment to perform the Project scope

of work. For tree trimming, the Contractors are required to confirm the extent of trimming with the City. For tree removals, the contractors shall request for city approval prior to removing trees. Please refer to Section 3 of the Technical Specification for more details.

3. *Plans – Sheets 2- 6, Technical Specifications Page 79 - Can the number of Trees for Protection be identified?*

Please refer to the City’s response to Question No. 2.

4. *Plans – Sheets 2- 6 & GC Conditions 7.12 – Please identify any existing utilities in the work area?*

Please see revised Sheets 2 – 6 for existing utilities included in this Addendum. The locations of utilities shown on the plans are approximate only. It is the responsibility of the Contractor to verify their exact locations. Existing utilities are shown in approximate locations. Call U.S.A. for utility locations at least 3 working days before digging.

5. *Will a SWPPP Plan be required for this Project?*

SWPPP is not required for this Project as maintenance work restoring the creek’s flow line and flood capacity to its original condition.

6. *Plans – Sheets 2- 6 - Will Clearing be required outside the excavation area?*

Prior to restoring the access road with Class II material, the Contractor shall clear and remove vegetation and debris from the access road including the earthen drainage ditch. Refer to the revised Section 7.2 of the Technical Specification included in this Addendum. The Contractors are encouraged to visit the site before submitting their bid package.

7. *If a SWPPP or Storm Water Permit is already in place for the project, can copies be provided?*

SWPPP is not required for this Project as maintenance work restoring the creek’s flow line and flood capacity to its original condition.

8. *Who will provide Rain Action Event Plans, Water Testing, and Annual Reports?*

They are not applicable to this Project.

9. *Can the Contractor remove the vegetation with the soil (single excavation pass), or will a separate Clear & Grub task be required (two excavation equipment pass)?*

It is up to the Contractor to clear and grub prior to sediment removal or remove vegetation with the soil. The City will honor Contractor’s means and method.

10. *Technical Specifications 4.9 – Equipment Access on Road – Can small equipment for the culvert clean out be used in channel?*

Small skid steers are allowed in the concrete culvert and concrete aprons.

11. *Are there any identified biological species of concern?*

Western pond turtle and California red legged frog are noted on record but have not yet been encountered within the last seven years. The City will conduct a pre-construction biological survey to confirm.

12. *Are there any vegetive evasive species of concern?*

No invasive species are present within the creek. The Contractor may find a small amount of English Ivy encroaching into the access road from private properties. The Contractor shall visit the site prior to submitting bids.

13. *General Conditions – 7.2 Temporary Facilities – Please define “Contractor must Fence & Screen”? Existing Creek is fenced, and most back yards have privacy fencing. Please Clarify and Define?*

The work area has already been fenced. There is no need to provide fencing and screening for this Project.

14. *General Conditions – 7.3 A – Please define and clarify “Easements”?*

The entire project is within the drainage easement. Contractor is allowed to perform the work per the plans and specifications within the easement area.

15. *Special Conditions – Page 76 – Work hours are clearly identified. Do these work hours also include hauling of material for the site?*

No, the work hours do not include hauling of materials. However, dump trucks and construction equipment are not allowed to enter/exit the project site outside of the work hours.

16. *Special Conditions 2.3, Page 76 - Are the City approved site haul routes available or are there any conditions on hauling?*

The City does not have approved haul routes available. Haul routes are approved on a case-by-case basis depending on the project locations. The Contractors are required to submit haul route plans for the City’s approval. Refer to Section 2.2 of the Technical Specifications.

17. *Can Environmental Analytical Data be provided for the soil to be removed? Or is the Contractor responsible for the testing of the material for profiling off-site?*

Please refer to Appendix A included in this Addendum for the soil test results.

18. *Soil testing if done by the Contractor will take a minimum of 3-4 weeks for testing and approval? This will greatly reduce the working schedule of 49 Calendar Days. Will an extension of time be allowed for this work?*

Soil test results are provided to the Contractor in Appendix A of this Addendum for reference only.

19. *Can Geotechnical Data be provided for the soil to be removed?*

There is no geotechnical data of the soil.

20. *General Conditions Page 51, 7.1 has the Contractor getting permits. What are the City Permits required for this project and the lead times?*

The Project is required to obtain the City's Encroachment Permit (\$0 fee) and Transportation (Haul Route) Permit (\$25 fee). Typical lead time for processing is five working days.

21. *Is there any data on the current (summer) water flow rate in the Channel?*

There is no current flow rate data. It is expected that the channel will only have minimal flow. Contractors are encouraged to visit the site before submitting their bid package.

22. *Since the Job Walk is after the RFI due date, will RFI still be answered after the job walk?*

N/A

23. *Is there an engineer estimate that can be provided?*

In order to promote competitive bidding environment, the Engineer's Estimate will not be provided to the Contractors.

24. *Are soil boring logs and ground water data available? If so, can it be provided?*

Soil boring logs and ground water data are not available.

25. *Are there any known utilities that need to be supported/protected within the sediment removal excavation area?*

Please see the city's response to Question No. 4.

26. *What permits/fees are the contractor required to procure?*

Please see the city's response to Question No. 20.

27. *Will the City of San Ramon provide biological training and monitoring?*

Yes. The City will provide biological training and monitoring.

28. *Per the regulatory permit, work within the creek shall be done between 8/15 to 10/15. Can Access Road Restoration and Seeding Creek Banks be performed after that construction window?*

If the Contractor has demonstrated diligent work and progress, the Access Road Restoration and Seeding Creek Banks can be performed after 10/15/23 with the Engineer's approval. All sediment removal work must be completed by 10/15/23 without exception.

29. *Technical Specifications Section 2.1 states that there shall be no traffic lane closures permitted except between 9am and 430pm. Can trucks enter/exit the site with flagging before 9am if there are no lane closures. Are there any limitations to truck loading hours?*

Trucks can enter and exit the site with flaggers before 9 am during the allowed working hours. Truck loading is allowed during the approved work hours.

30. *Per Technical Specifications Section 2.5, please describe advanced construction notification signs, changeable message signs and other advance needs prior to start of construction.*

In the traffic control plans, it is the responsibility of the Contractor to include necessary traffic control systems required for the Project to warn and protect the public from injury or damage as a result of the Contractor's operations.

31. *Per Technical Specifications Section 3 contractor is to trim and protect trees. The drawings do not show any trees to be protected within the channel. Please identify/clarify trees that are to be protected within the channel.*

Please refer to the City's response to Question No. 2.

32. *Per Technical Specifications Section 4.9, sediment shall be removed to within 0.2 feet of the original design bottom of the channel. Is there a topo of current condition in the channel and as-builts of the channel? If so, can it be provided?*

Please see Appendix B included in this Addendum for the as-built drawing of Norris Creek for reference only.

33. *Per Technical Specifications Section 5.2, A summary of the soil laboratory analytical report is in Appendix A. Can Appendix A be provided?*

Please see Appendix A included in this Addendum.

34. *Special Conditions Section 3.3 states to off-haul sediments to the city approved disposal facility. Technical Specifications Section 5.3 states disposal facility will have appropriate license to operate as a disposal facility in accordance with the state and federal laws. Please provide a list of city approved disposal facilities.*

The city does not have a list of approved disposal facilities. Please refer to the revised section of Technical Specification Section 5.3 in Addendum No. 1 related to sediment disposal facility.

35. Addendum #1 Technical Specifications Section 5 states channel sediment may be disposed of at a dump site. Dump sites do not have certified scales. For unit rate payment of "Sediment Off-haul and Disposal", would uncertified scales or average weight from weigh stations suffice?

The unit of measurement has changed from Tonnage to Cubic Yard. Refer to the revised Schedule of Bids included in this addendum.

36. Drawing Sheet 4 of 6 profile view show no sediment in the Broadmoor Drive culvert location. From visual observations, there appears to be sediment. Please confirm if sediment is to be removed from this location.

The profile on Sheet 4 has been updated as shown in this addendum.

37. Please provide sign-in sheet from job walk on Tuesday 7/25/23.

A copy of the sign-in sheet can be emailed to the contractor if requested.

(See next pages for content)

NORRIS CREEK SEDIMENT REMOVAL PROJECT (CIP 100001-A)

ADDENDUM NO. 2

ACKNOWLEDGEMENT

I have received Addendum No. 1 to the Contract Plans and Specifications titled **“NORRIS CREEK SEDIMENT REMOVAL PROJECT (CIP 100001-A)”**. I have read and understood the information stated in the Addendum.

Bidder's Signature

Date

Bidder's Name (Printed)

Name of Company

*****RETURN WITH BIDDER'S PROPOSAL*****

Bid Schedule

This Bid Schedule must be completed in ink and included with the sealed Bid Proposal. Pricing must be provided for each Bid Item as indicated. Items marked "(SW)" are Specialty Work that must be performed by a qualified Subcontractor. The lump sum or unit cost for each item must be inclusive of all costs, whether direct or indirect, including profit and overhead. The sum of all amounts entered in the "Extended Total Amount" column must be identical to the Base Bid price entered in Section 1 of the Bid Proposal form.

AL = Allowance CF = Cubic Feet CY = Cubic Yard EA = Each LB = Pounds
 LF = Linear Foot LS = Lump Sum SF = Square Feet TON = Ton (2000 lbs)

BID ITEM NO.	ITEM DESCRIPTION	EST. QTY.	UNIT	UNIT COST	EXTENDED TOTAL AMOUNT
1	Mobilization and Demobilization	1	LS	\$	\$
2	Traffic Control	1	LS	\$	\$
3	Tree Trimming, Protection and Removal	1	LS	\$	\$
4	Sediment Removal	3,500	CY	\$	\$
5	Sediment Off-haul & Disposal	3,500	CY	\$	\$
6	Erosion and Sediment Control	1	LS	\$	\$
7	Class II Aggregate Base for Access Road Restoration	300	TON	\$	\$
8	Seeding Creek Banks	7,600	SY	\$	\$
9				\$	\$
10				\$	\$
11				\$	\$
12				\$	\$
13				\$	\$
14				\$	\$
15				\$	\$

TOTAL BASE BID: Items 1 through _____ inclusive: \$ _____

Note: The amount entered as the "Total Base Bid" should be identical to the Base Bid amount entered in Section 1 of the Bid Proposal form.

BIDDER NAME: _____

END OF BID SCHEDULE

- 4.11 Contractor shall be responsible for all damage to adjacent structures and utilities at no cost to the City.
- 4.12 All construction shall be in accordance with the required permits for this project. The Contractor shall note any work restrictions contained in the permits.
- 4.13 All sediment removal work within the creek shall be done between August 15 and October 15 as required by the regulatory permits.
- 4.14 **Payment.** Full compensation for sediment removal, including furnishing all labor, materials, equipment, tools and all incidentals including the removal of sediment, roots and organic material, including all items in this section shall be considered as included in the contract unit process paid for “**Sediment Removal**” and no additional compensation will be allowed therefor.

5. Sediment Off-haul and Disposal

- 5.1 **General.** Contractor shall furnish all materials, tools, equipment, facilities, labor, supervision and services as required for off-hauling and disposing removed sediments to approved disposal facility in accordance with the state and federal regulations.
- 5.2 In order to assess the material for off-haul purposes, the City has collected five sediment samples from Norris Creek and conducted analytical laboratory tests. The analytical laboratory result will be provided as an Addendum in Appendix A to the Contract as soon as it becomes available. The Contractor should be aware that certain disposal sites may require additional sampling frequency. If the chosen disposal site (subject to the City's approval) requires additional soil sampling, any extra sampling and testing will be the responsibility of the contractor at no additional cost to the City.
- 5.3 Upon removal from the site the sediment shall become the property of Contractor. Contractor shall provide documentation to the City indicating the location of the disposal site and the written approval of the property owner to receive the material. Contractor shall submit sediment disposal facility information five (5) working days prior to the pre-construction conference for the City's approval.
- 5.4 There are vegetation and roots embedded in the sediment. Contractor shall anticipate wet and organic-rich sediment and roots and vegetative debris in the sediment to be removed.
- 5.5 **During the sediment removal activities, the Contractor shall maintain a daily record of channel finish grade using beginning and ending stations and include in the as-built drawing the location and depth to which sediment is removed. These daily records of channel finish grade shall be submitted to the Engineer on a weekly basis or with the Contractor's application for payment.**
- 5.6 Contractor's attention is directed to General Conditions 7.9 for street sweeping. Payment for this work shall be incidental to sediment removal work and no additional payment shall be provided for street sweeping.
- 5.7 **Payment.** Full compensation for sediment off-haul and disposal to an approved disposal facility, including furnishing all labor, materials, services, equipment, tools and all incidentals including all items in this section, shall be considered as included in the contract unit bid price paid for “**Sediment Off-haul and Disposal**” and no additional compensation will be allowed therefor.

6. Erosion and Sediment Control

- 4.11 Contractor shall be responsible for all damage to adjacent structures and utilities at no cost to the City.
- 4.12 All construction shall be in accordance with the required permits for this project. The Contractor shall note any work restrictions contained in the permits.
- 4.13 All sediment removal work within the creek shall be done between August 15 and October 15 as required by the regulatory permits.
- 4.14 **Payment.** Full compensation for sediment removal, including furnishing all labor, materials, equipment, tools and all incidentals including the removal of sediment, roots and organic material, including all items in this section shall be considered as included in the contract unit process paid for “**Sediment Removal**” and no additional compensation will be allowed therefor.

5. Sediment Off-haul and Disposal

- 5.1 **General.** Contractor shall furnish all materials, tools, equipment, facilities, labor, supervision and services as required for off-hauling and disposing removed sediments to approved disposal facility in accordance with the state and federal regulations.
- 5.2 In order to assess the material for off-haul purposes, the City has collected five sediment samples from Norris Creek and conducted analytical laboratory tests. The analytical laboratory result will be provided as an Addendum in Appendix A to the Contract as soon as it becomes available. The Contractor should be aware that certain disposal sites may require additional sampling frequency. If the chosen disposal site (subject to the City's approval) requires additional soil sampling, any extra sampling and testing will be the responsibility of the contractor at no additional cost to the City.
- 5.3 Upon removal from the site the sediment shall become the property of Contractor. Contractor shall provide documentation to the City indicating the location of the disposal site and the written approval of the property owner to receive the material. Contractor shall submit sediment disposal facility information five (5) working days prior to the pre-construction conference for the City's approval.
- 5.4 There are vegetation and roots embedded in the sediment. Contractor shall anticipate wet and organic-rich sediment and roots and vegetative debris in the sediment to be removed.
- 5.5 **During the sediment removal activities, the Contractor shall maintain a daily record of channel finish grade using beginning and ending stations and include in the as-built drawing the location and depth to which sediment is removed. These daily records of channel finish grade shall be submitted to the Engineer on a weekly basis or with the Contractor's application for payment.**
- 5.6 Contractor's attention is directed to General Conditions 7.9 for street sweeping. Payment for this work shall be incidental to sediment removal work and no additional payment shall be provided for street sweeping.
- 5.7 **Payment.** Full compensation for sediment off-haul and disposal to an approved disposal facility, including furnishing all labor, materials, services, equipment, tools and all incidentals including all items in this section, shall be considered as included in the contract unit bid price paid for “**Sediment Off-haul and Disposal**” and no additional compensation will be allowed therefor.

6. Erosion and Sediment Control

7. Access Road Restoration

- 7.1 **General.** Contractor shall furnish all materials, tools, equipment, facilities, labor, supervision and services as required for performing access road restoration work.
- 7.2 **Site restoration activity consists of, but not limited to removing of all material, including debris and vegetation, and restoring the access road within the project limits and evenly adding a new layer of 300 TON of ¾-inch Class 2 aggregate base across the access roads within the project limits, excluding the earthen drainage ditch on the south side of the access road. Aggregate base shall be spread uniformly at the direction of the engineer and compacted with a smooth drum roller to provide a uniform non-yielding surface.**
- 7.3 **Payment.** Full compensation for site restoration and evenly adding a new layer of class II aggregate base, including furnishing all labor, materials, equipment, tools and all incidentals including removal of all materials, tools, equipment, shall be considered as included in the contract the contract unit price paid for “**Class II Aggregate Base for Access Road Restoration**” and no additional compensation will be allowed therefor.

8. Seeding Creek Banks

- 8.1 **General.** Following completion of earthwork, all disturbed creek banks shall be seeded with a mix of annual grasses and forbs to prevent soil erosion and provide habitat enhancement.
- 8.2 **Seeding.** Seed mix shall be composed of native grass and herbaceous species approved by the Engineer. Seeding shall be uniformly distributed and be hand seeded or seeded with a mechanical seed spreader applied at the rate of 2,000 kg/hectare. If hydroseeding, the Contractor shall apply seeded slurry at the equivalent rate for the seed mixture as indicated by the manufacturer and evenly in two intersecting directions, with a hydraulic seeder. Do not sow immediately following rain, when the ground is too dry, or during windy periods.

The bid item “Seeding Creek Bank” is a Revocable Bid Item. The City reserves the right to delete portions or all of the aforementioned bid item after the contract is awarded to the Contractor, depending on the environmental regulatory agency’s requirement. Therefore, no price negotiation shall be made for the deletion of or the entirety of, this bid item.

8.3 Seed Mix.

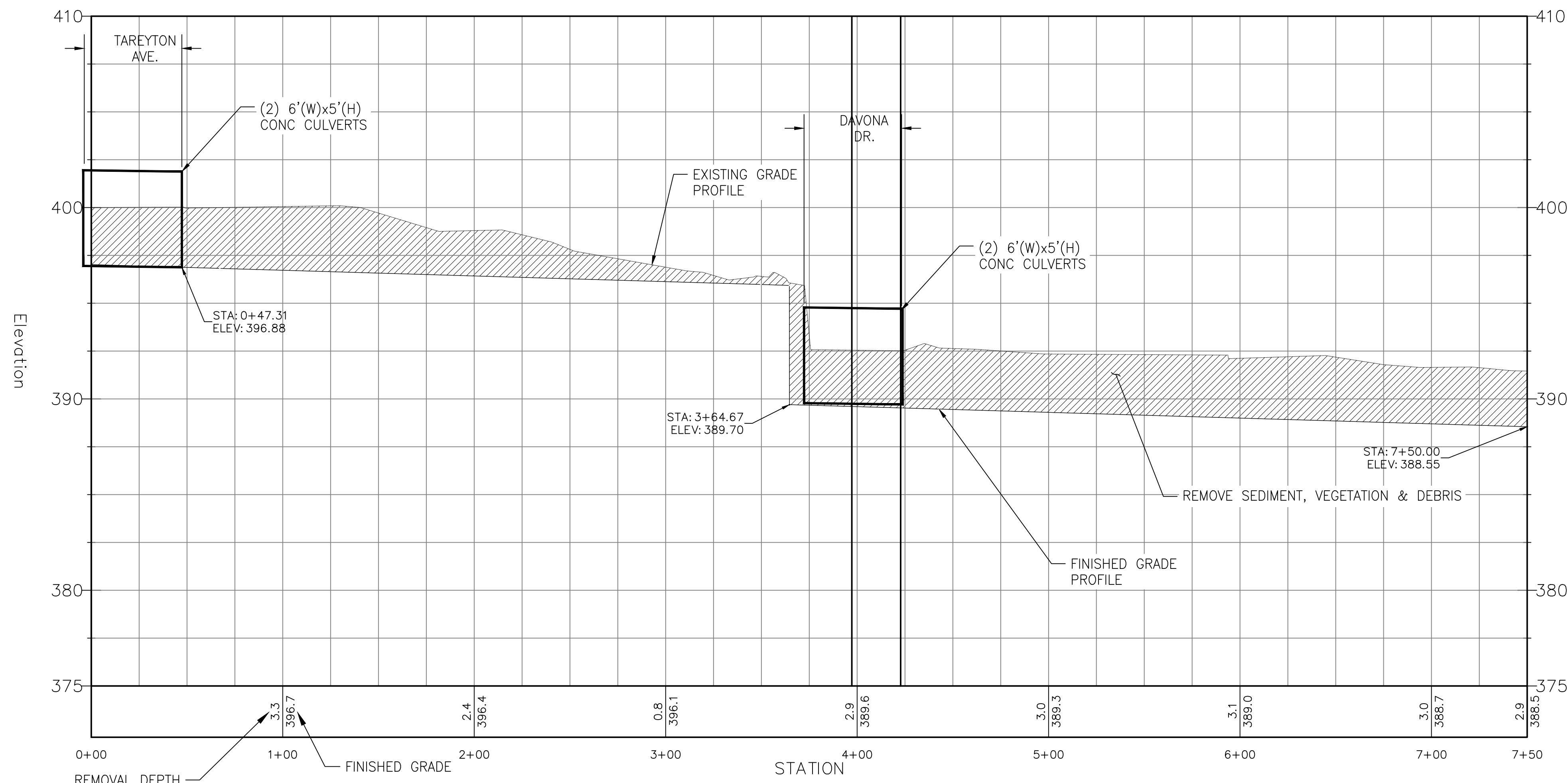
Forty-five (45) Total Pounds/Acre:

- Bromus carinatus/California Brome
- Elymus glaucus/Blue Wildrye
- Festuca microstachys/Three Weeks Fescue
- Trifolium willdenovii/Tomcat Clover

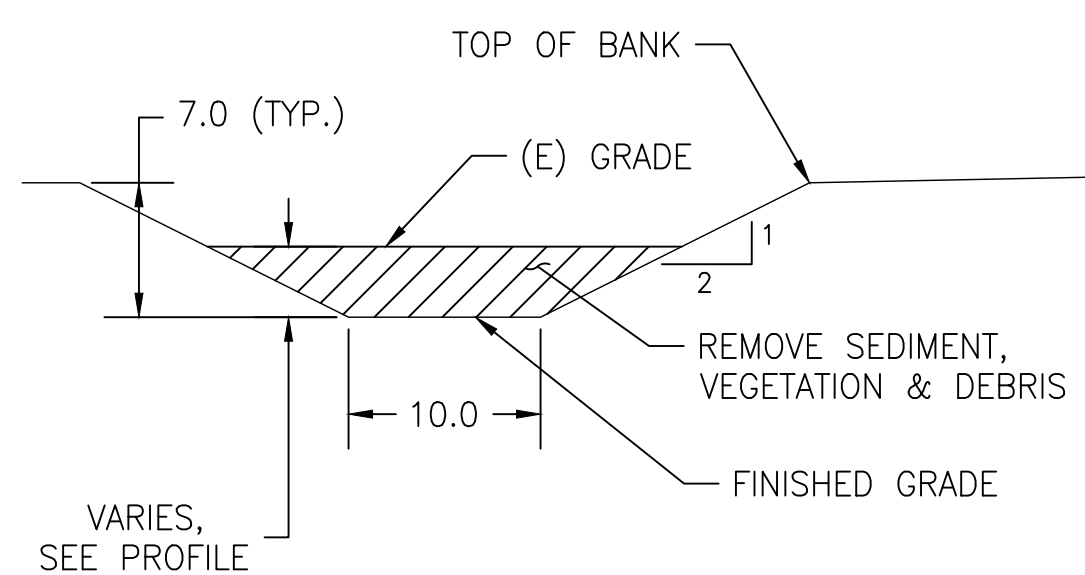
Five (5) Pounds/Acre Per Each of the Wild Flowers:

- Eschscholzia californica / California Poppy
- Lupinus microcarpus / Chick Lupine
- Amsinckia menziesii / Fiddleneck
- Asclepias fascicularis / Narrow-leaved milkweed

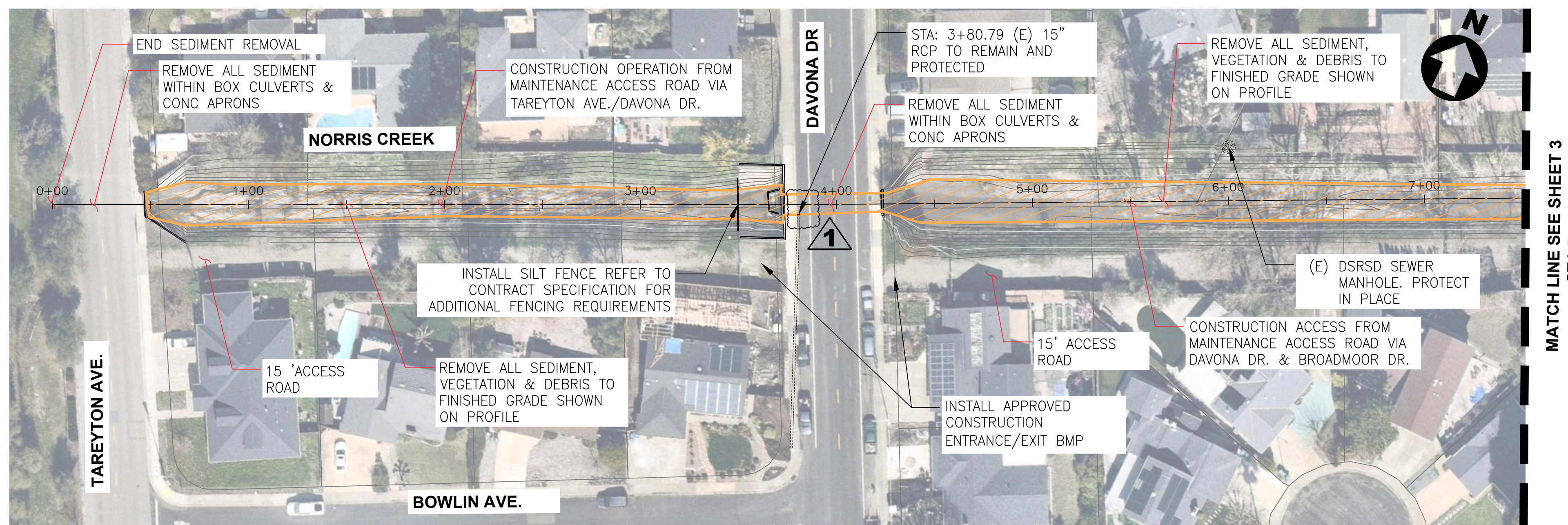
NOTES:
 PROTECT ALL EXISTING TREES, UNLESS OTHERWISE NOTED.
 PROTECT INBOARD DRAINAGE SWALE.
 ALL WORK TO BE COMPLETED IN ACCORDANCE WITH APPROVED PERMITS.



PROFILE
 SCALE: HORIZ. 1" = 40' / VERT. 1" = 5'



TYPICAL SECTION
TAREYTON AVE - BROADMOOR DR
 SCALE: 1" = 10'



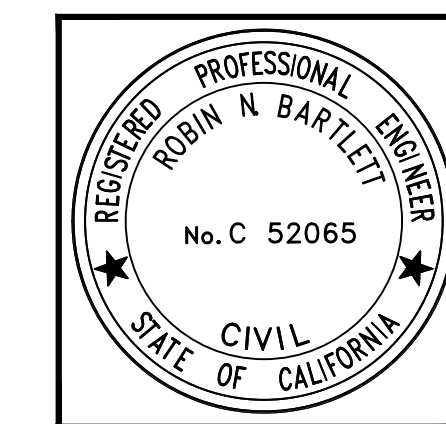
PLAN
 SCALE: HORIZ. 1" = 40'

7/25/23	DATE
ADDENDUM NO. 2	REVISIONS
DESIGNED: VS	NO.
DRAWN: VS	
APPROVED: RNB	

CITY OF SAN RAMON
 ENGINEERING SERVICES DEPARTMENT
 7000 BOLLINGER CANYON ROAD
 SAN RAMON, CALIFORNIA

NORRIS CREEK SEDIMENT REMOVAL
PLAN, PROFILE & TYPICAL SECTION

2023 NORRIS CREEK SEDIMENT REMOVAL



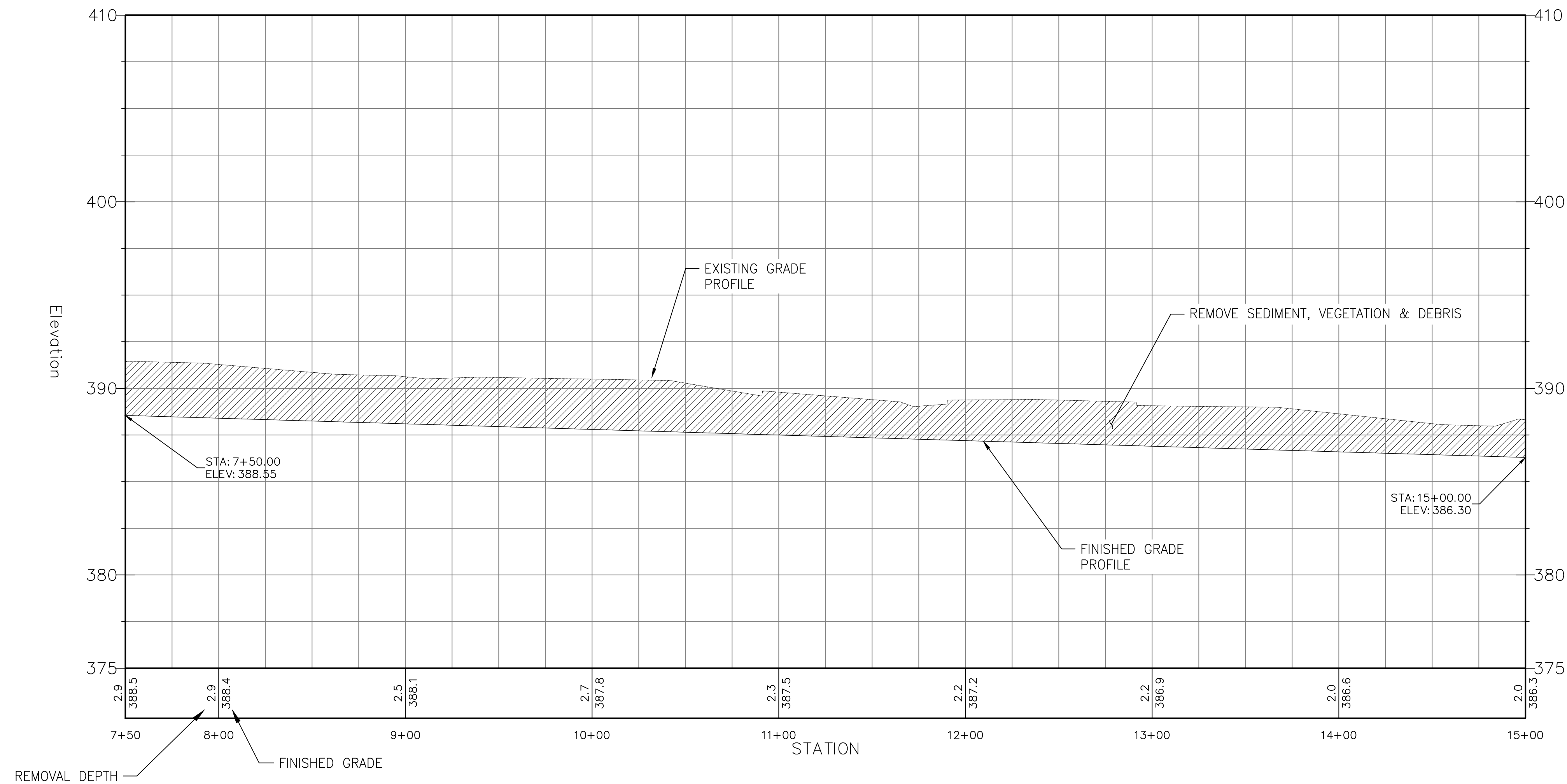
TITLE:
SHEET
 2 of 6

CIP#: 100001A

BID SET

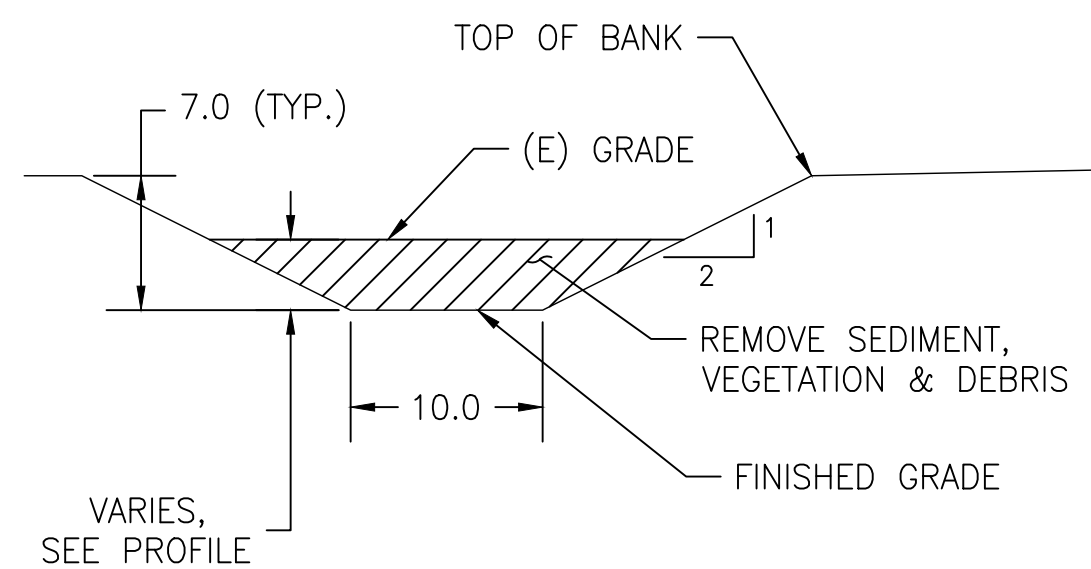
NOTES:

PROTECT ALL EXISTING TREES, UNLESS OTHERWISE NOTED.
 PROTECT INBOARD DRAINAGE SWALE.
 ALL WORK TO BE COMPLETED IN ACCORDANCE WITH
 APPROVED PERMITS.

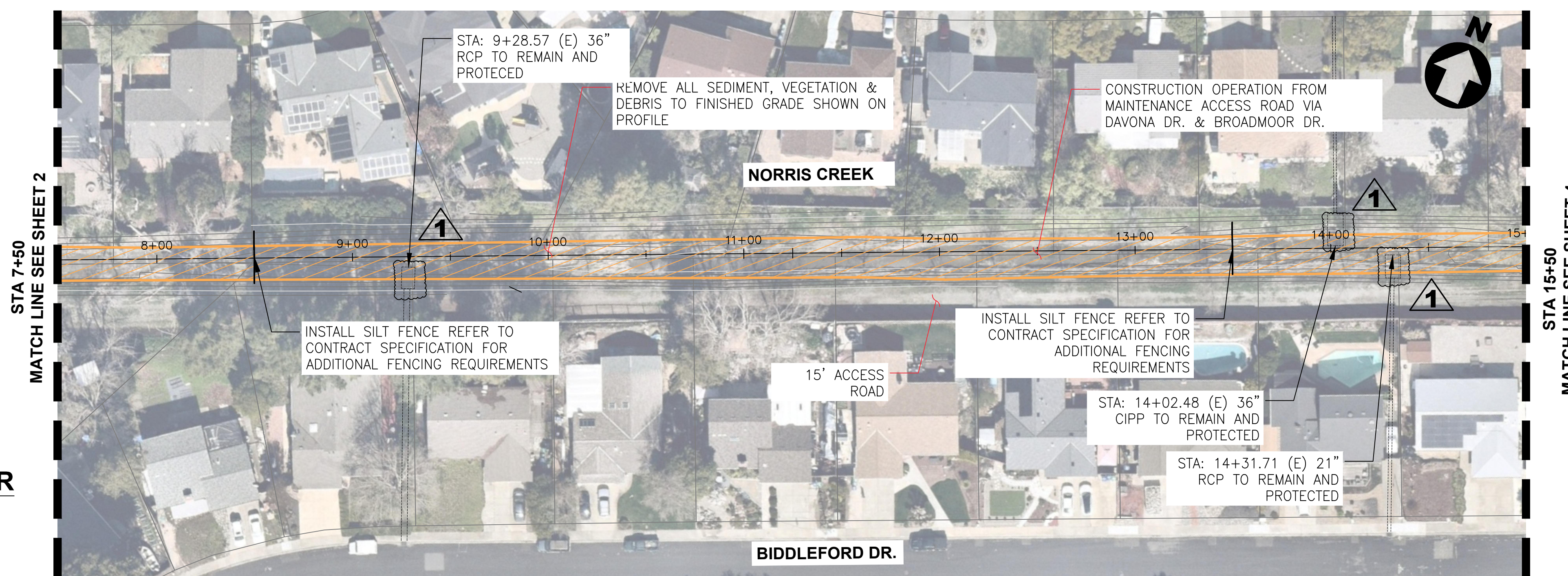


PROFILE

SCALE: HORIZ. 1" = 40' / VERT. 1" = 5'



TYPICAL SECTION
TAREYTON AVE - BROADMOOR DR
 SCALE: 1" = 10'



PLAN

SCALE: HORIZ. 1" = 40'

7/25/23			
ADDENDUM NO. 2			
DESIGNED: VS			
DRAWN: VS			
APPROVED: RNB			
			NO.
			REVISIONS
			DATE

DESIGNED: VS
 DRAWN: VS
 APPROVED: RNB

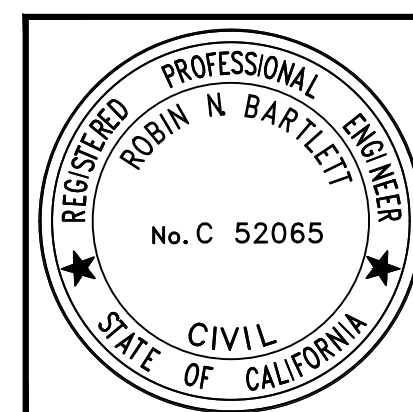
CITY OF SAN RAMON
 ENGINEERING SERVICES DEPARTMENT
 7000 BOLLINGER CANYON ROAD
 SAN RAMON, CALIFORNIA

NORRIS CREEK SEDIMENT REMOVAL
PLAN, PROFILE & TYPICAL SECTION
2023 NORRIS CREEK SEDIMENT REMOVAL

TITLE:

SHEET
3 of 6

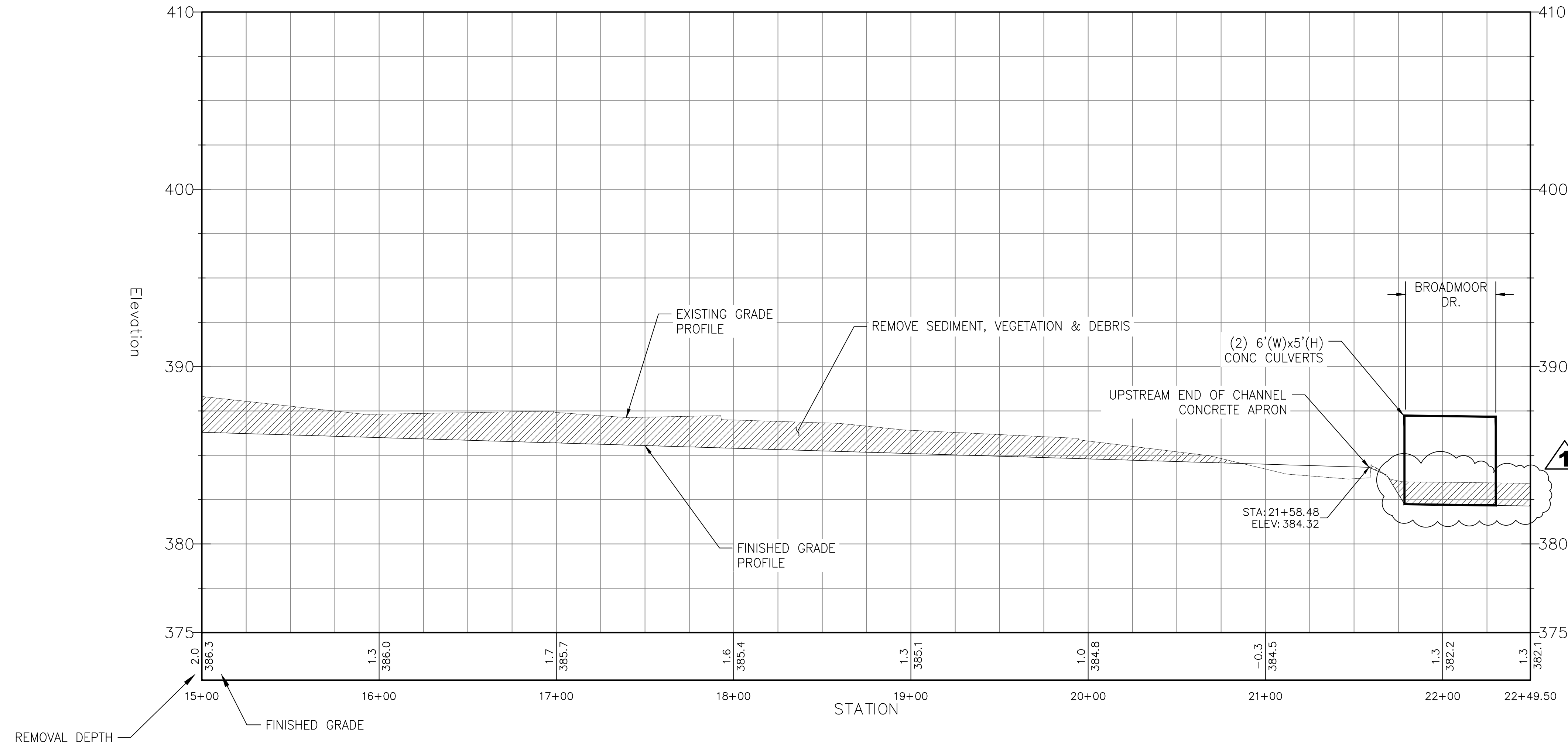
CIP#: 100001A



BID SET

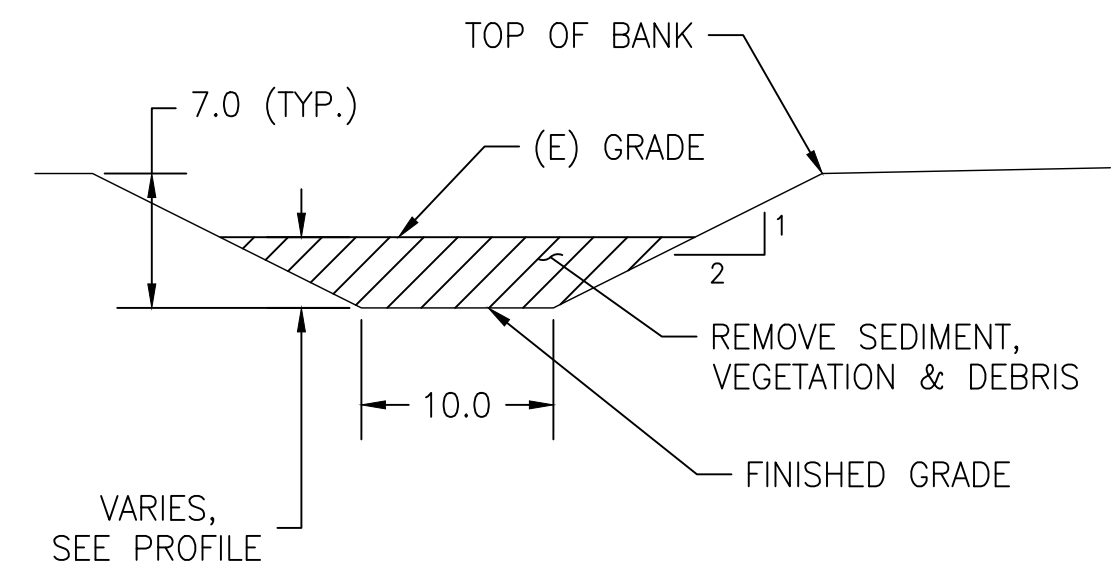
NOTES:

PROTECT ALL EXISTING TREES, UNLESS OTHERWISE NOTED.
 PROTECT INBOARD DRAINAGE SWALE.
 ALL WORK TO BE COMPLETED IN ACCORDANCE WITH
 APPROVED PERMITS.



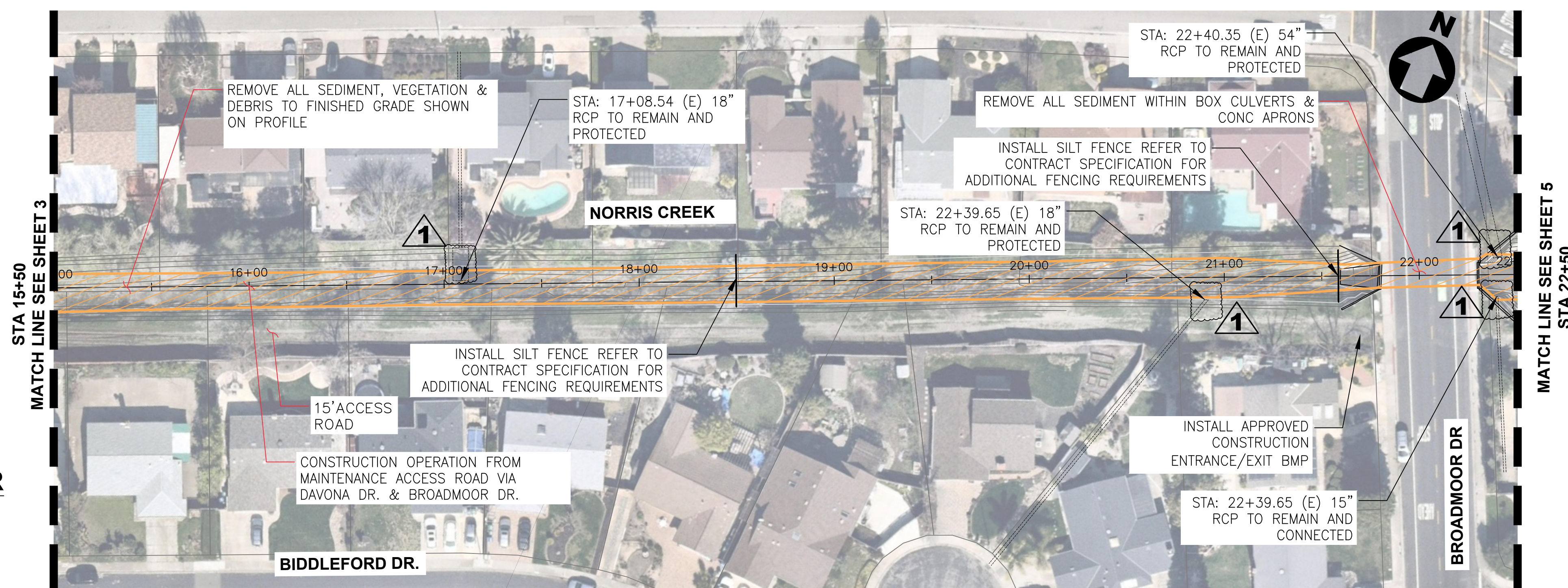
PROFILE

SCALE: HORIZ. 1" = 40' / VERT. 1" = 5'



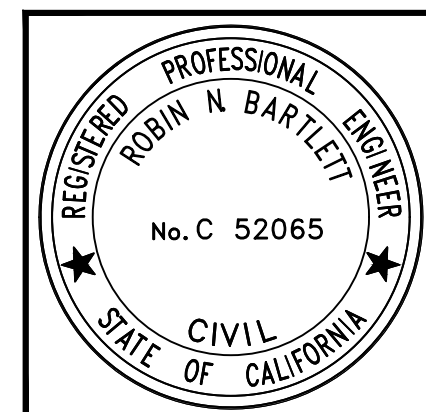
**TYPICAL SECTION
 TAREYTON AVE - BROADMOOR DR**

SCALE: 1" = 10'



PLAN

SCALE: HORIZ. 1" = 40'



TITLE:

SHEET

4 of 6

CIP#: 100001A

BID SET

NORRIS CREEK SEDIMENT REMOVAL
 PLAN, PROFILE & TYPICAL SECTION

2023 NORRIS CREEK SEDIMENT REMOVAL

CITY OF SAN RAMON
 ENGINEERING SERVICES DEPARTMENT
 7000 BOLLINGER CANYON ROAD
 SAN RAMON, CALIFORNIA

DESIGNED: VS
 DRAWN: VS
 APPROVED: RNB

NO.

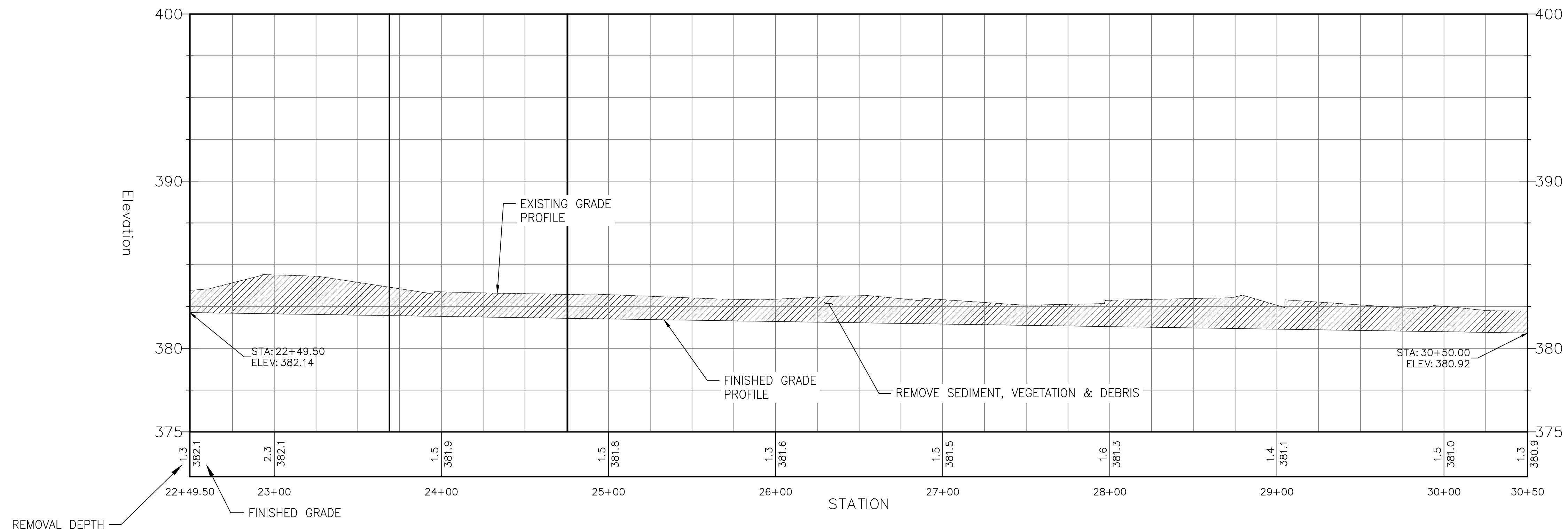
REVISIONS

DATE

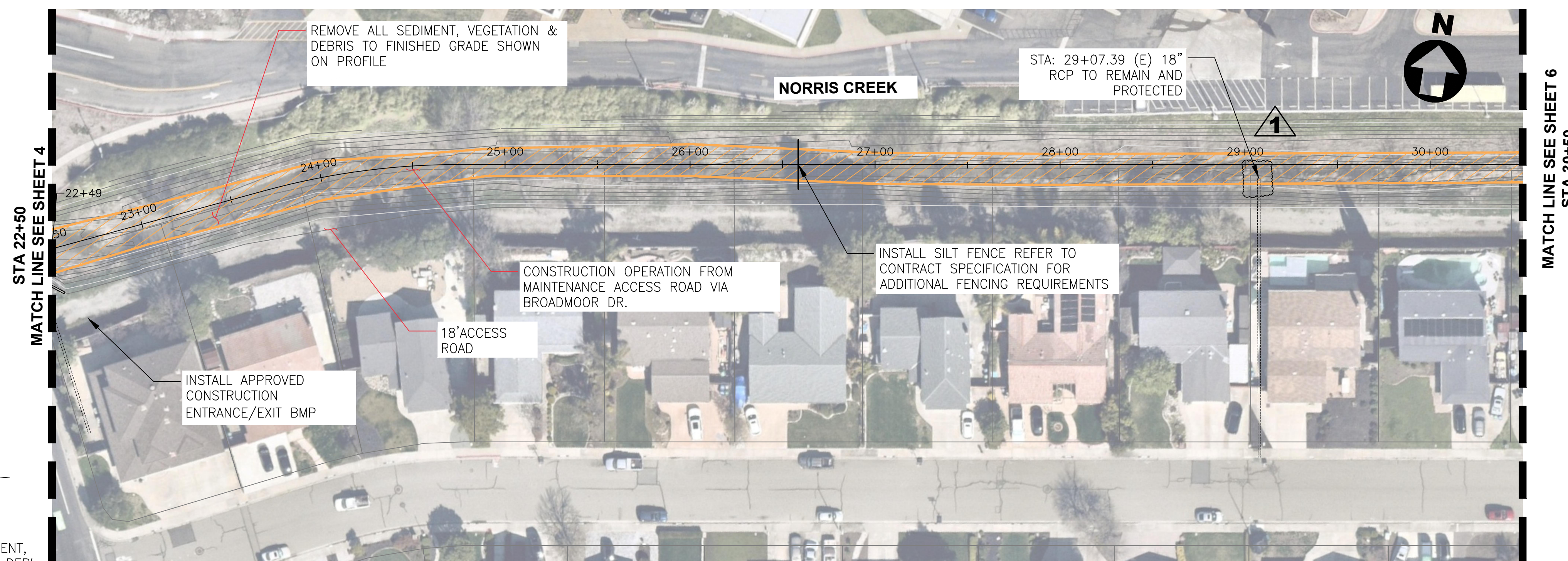
G:\PROGRAMS\CIP\CIP 5545 Citywide Drainage\Removal\2023 Norris-SSR-CC-Z Channel\Norris Creek_XSections.dwg @ 01:34:58 PM

Plotted on: 07/25/23 @ 01:34:58 PM

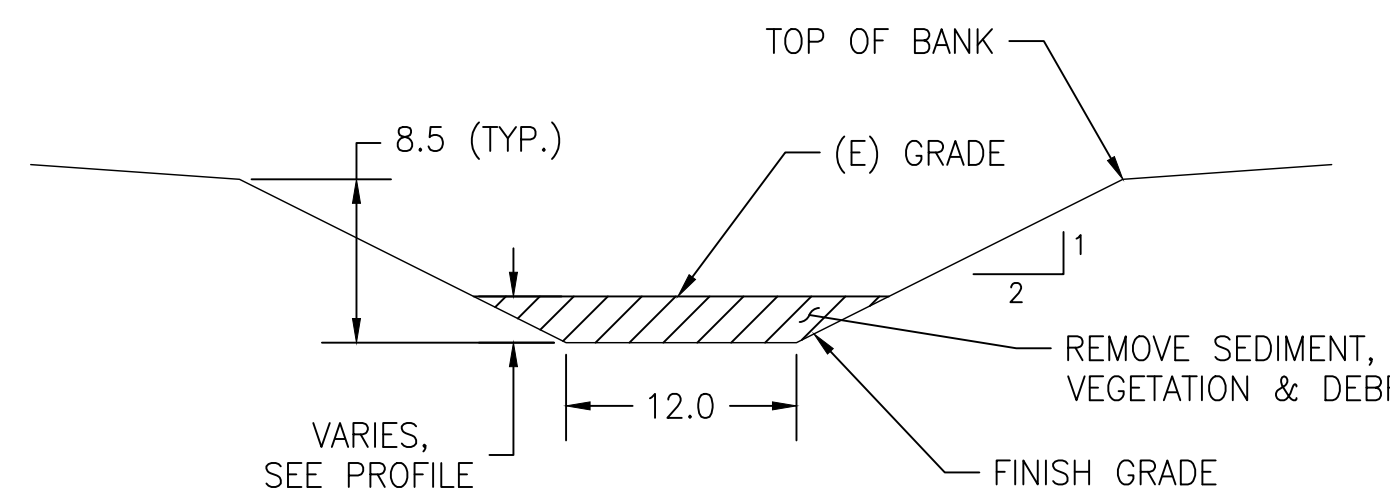
NOTES:
 PROTECT ALL EXISTING TREES, UNLESS OTHERWISE NOTED.
 PROTECT INBOARD DRAINAGE SWALE.
 ALL WORK TO BE COMPLETED IN ACCORDANCE WITH APPROVED PERMITS.



PROFILE
 SCALE: HORIZ. 1" = 40' / VERT. 1" = 5'



PLAN
 SCALE: HORIZ. 1" = 40'

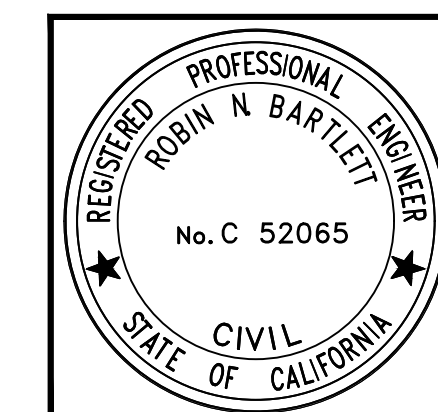


**TYPICAL SECTION
 D/S OF BROADMOOR DR**
 SCALE: 1" = 10'

7/25/23	DATE
ADDENDUM NO. 2	REVISIONS
DESIGNED: VS	NO.
DRAWN: VS	
APPROVED: RNB	

CITY OF SAN RAMON
 ENGINEERING SERVICES DEPARTMENT
 7000 BOLLINGER CANYON ROAD
 SAN RAMON, CALIFORNIA

**NORRIS CREEK SEDIMENT REMOVAL
 PLAN, PROFILE & TYPICAL SECTION**
2023 NORRIS CREEK SEDIMENT REMOVAL

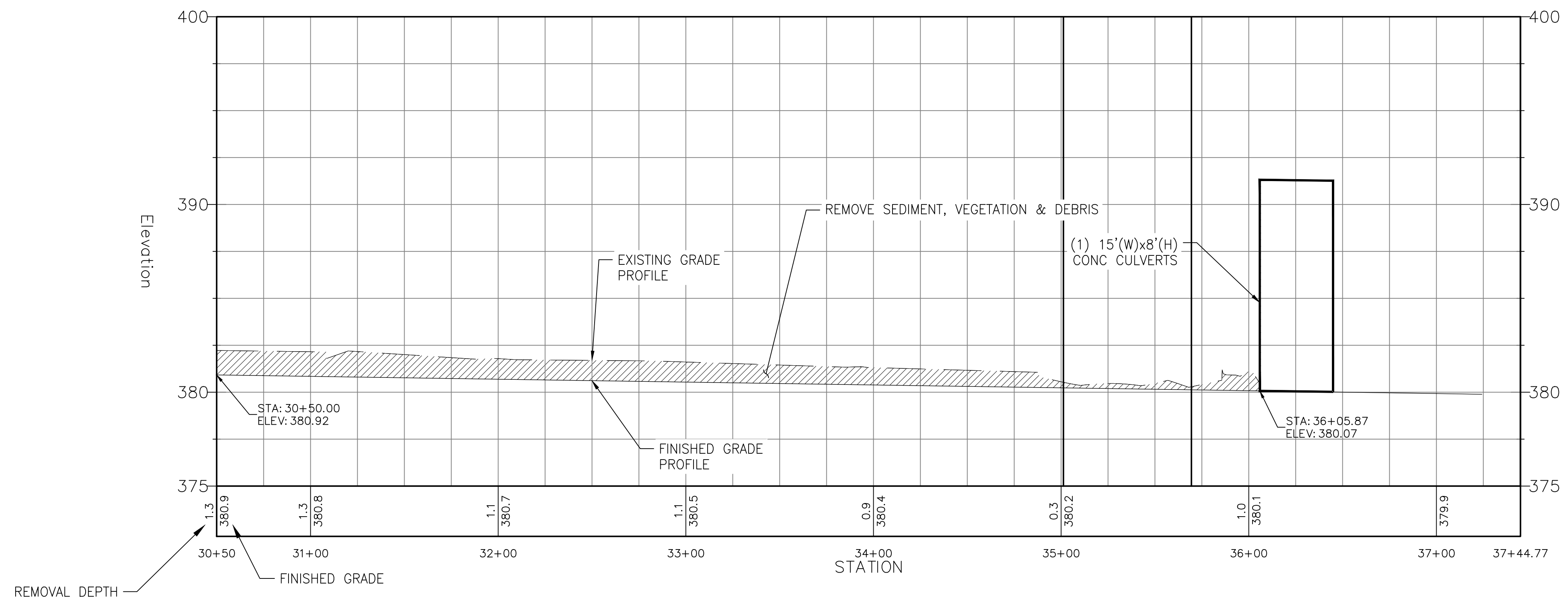


SHEET
 5 of 6

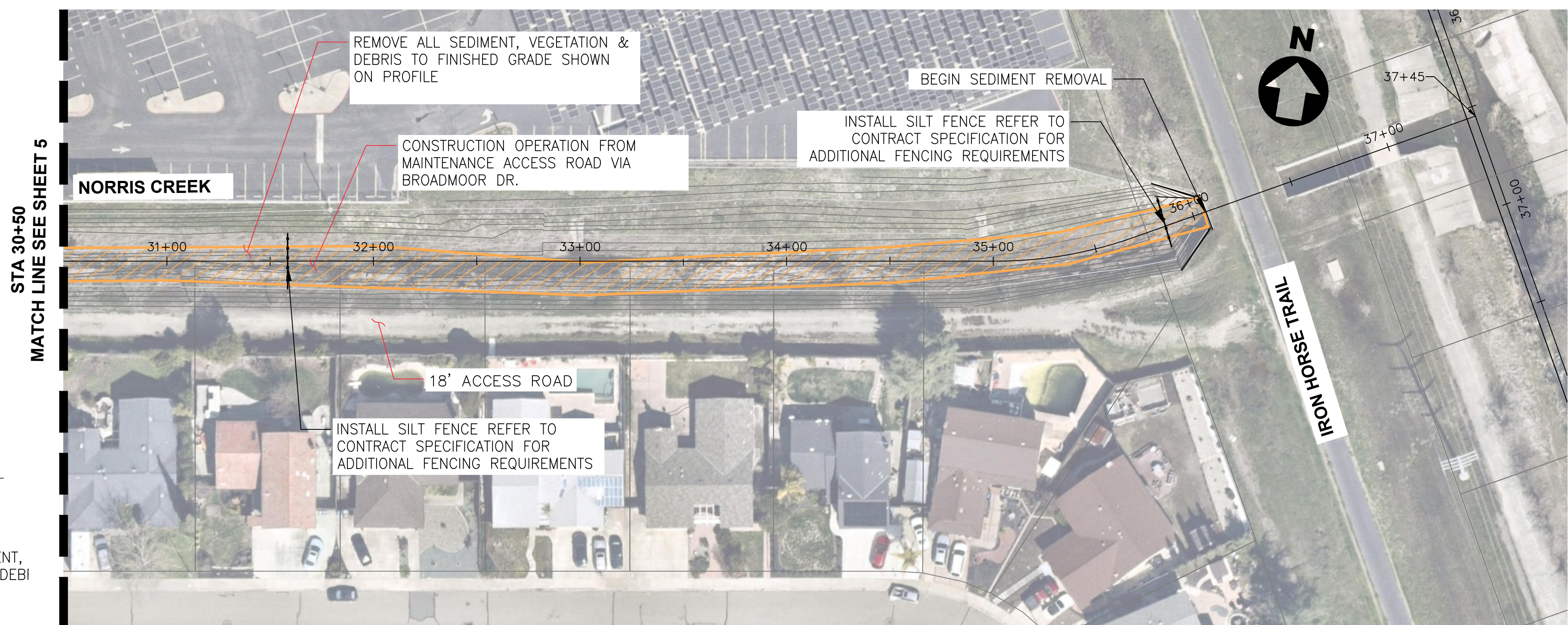
CIP#: 100001A

BID SET

NOTES:
 1. PROTECT ALL EXISTING TREES, UNLESS OTHERWISE NOTED. PROTECT INBOARD DRAINAGE SWALE.
 ALL WORK TO BE COMPLETED IN ACCORDANCE WITH APPROVED PERMITS.

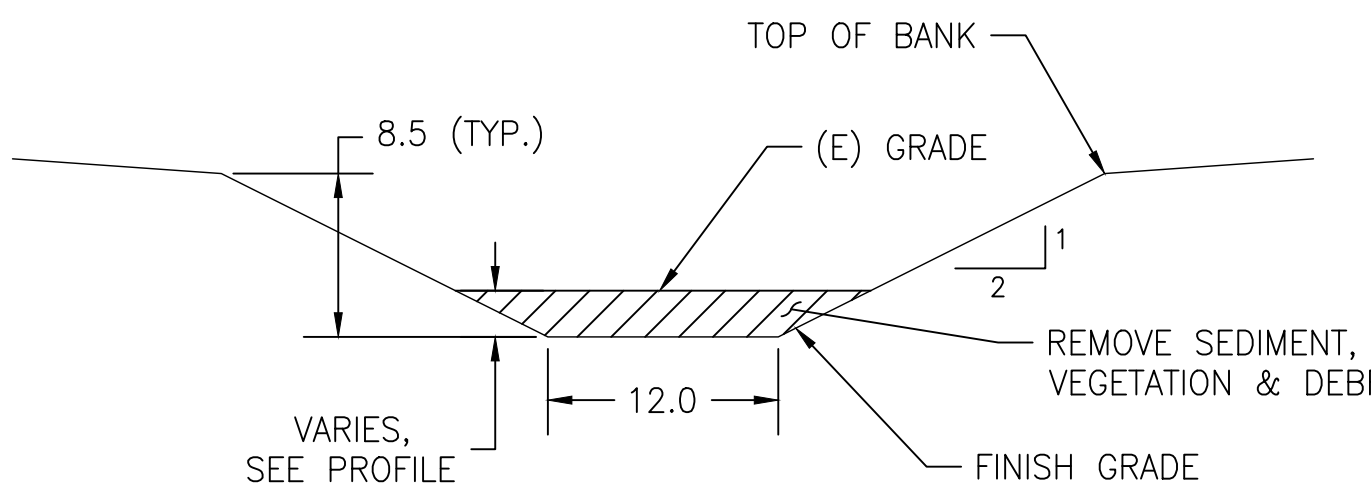


PROFILE
 SCALE: HORIZ. 1" = 40' / VERT. 1" = 5'



PLAN
 SCALE: HORIZ. 1" = 40'

TYPICAL SECTION
D/S OF BROADMOOR DR
 SCALE: 1" = 10'



<table border="1" style="width: 100%; border-collapse: collapse;"> <tr> <td style="width: 50%; text-align: center;">DESIGNED: VS</td> <td style="width: 50%; text-align: center;">RNB</td> </tr> <tr> <td style="width: 50%; text-align: center;">DRAWN: VS</td> <td style="width: 50%; text-align: center;">RNB</td> </tr> <tr> <td colspan="2" style="text-align: center;">APPROVED: RNB</td> </tr> </table>	DESIGNED: VS	RNB	DRAWN: VS	RNB	APPROVED: RNB		<table border="1" style="width: 100%; border-collapse: collapse;"> <tr> <th style="width: 20%;">NO.</th> <th style="width: 80%;">REVISIONS</th> </tr> <tr> <td> </td> <td> </td> </tr> <tr> <td> </td> <td> </td> </tr> <tr> <td> </td> <td> </td> </tr> </table>	NO.	REVISIONS						
DESIGNED: VS	RNB														
DRAWN: VS	RNB														
APPROVED: RNB															
NO.	REVISIONS														
CITY OF SAN RAMON ENGINEERING SERVICES DEPARTMENT 7000 BOLLINGER CANYON ROAD SAN RAMON, CALIFORNIA 	NORRIS CREEK SEDIMENT REMOVAL PLAN, PROFILE & TYPICAL SECTION 2023 NORRIS CREEK SEDIMENT REMOVAL														
<p style="text-align: center;">REGISTERED PROFESSIONAL ENGINEER ROBIN N. BARTLEY No. C 52065 CIVIL STATE OF CALIFORNIA</p>	<p>SHEET 6 of 6 CIP #: 100001A</p>														

14.2 Provisions Deemed Inserted..... 74
14.3 Waiver..... 74
14.4 Titles, Headings, and Groupings..... 74
14.5 Statutory and Regulatory References..... 74
14.6 Survival. 74
Special Conditions..... 76
Technical Specifications 78

APPENDIX A: Norris Creek Soil Analytical Laboratory Test Result (For Reference Only)

APPNEDIX B: As-Built Plans for Norris Creek (For Reference Only)

APPENDIX A

Norris Creek Soil Analytical Laboratory Test Result

(For Reference Only)



McC Campbell Analytical, Inc.

"When Quality Counts"

Analytical Report

WorkOrder: 2307968

Report Created for: Kleinfelder, Inc.

1512 Franklin St, Ste. 100
Oakland, CA 94612

Project Contact: Bob Horwath

Project P.O.:

Project: 24001500.001A; Norris Creek

Project Received: 07/17/2023

Analytical Report reviewed & approved for release on 07/24/2023 by:

Yen Cao

Project Manager

The report shall not be reproduced except in full, without the written approval of the laboratory. The analytical results relate only to the items tested. Results reported conform to the most current NELAP standards, where applicable, unless otherwise stated in a case narrative.





Glossary of Terms & Qualifier Definitions

Client: Kleinfelder, Inc.

WorkOrder: 2307968

Project: 24001500.001A; Norris Creek

Glossary Abbreviation

%D	Serial Dilution Percent Difference
95% Interval	95% Confident Interval
CPT	Consumer Product Testing not NELAP Accredited
DF	Dilution Factor
DI WET	(DISTLC) Waste Extraction Test using DI water
DISS	Dissolved (direct analysis of 0.45 µm filtered and acidified water sample)
DLT	Dilution Test (Serial Dilution)
DUP	Duplicate
EDL	Estimated Detection Limit
ERS	External reference sample. Second source calibration verification.
ITEF	International Toxicity Equivalence Factor
LCS	Laboratory Control Sample
LQL	Lowest Quantitation Level
MB	Method Blank
MB % Rec	% Recovery of Surrogate in Method Blank, if applicable
MDL	Method Detection Limit ¹
ML	Minimum Level of Quantitation
MS	Matrix Spike
MSD	Matrix Spike Duplicate
NA	Not Applicable
ND	Not detected at or above the indicated MDL or RL
NR	Data Not Reported due to matrix interference or insufficient sample amount.
PDS	Post Digestion Spike
PF	Prep Factor
RD	Relative Difference
RL	Reporting Limit ²
RPD	Relative Percent Difference
RRT	Relative Retention Time
RSD	Relative Standard Deviation
SPK Val	Spike Value
SPKRef Val	Spike Reference Value
SPLP	Synthetic Precipitation Leachate Procedure
ST	Sorbent Tube
TCLP	Toxicity Characteristic Leachate Procedure

¹ MDL is the minimum measured concentration of a substance that can be reported with 99% confidence that the measured concentration is distinguishable from method blank results. Definition and Procedure for the Determination of the Method Detection Limit, Revision 2, 40CFR, Part 136, Appendix B, EPA 821-R-16-006, December 2016. Values are based upon our default extraction volume/amount and are subject to change.

² RL is the lowest level that can be reliably determined within specified limits of precision and accuracy during routine laboratory operating conditions. (The RL cannot be lower than the lowest calibration standard used in the initial calibration of the instrument and must be greater than the MDL.) Values are based upon our default extraction volume/amount and are subject to change.



Glossary of Terms & Qualifier Definitions

Client: Kleinfelder, Inc.

WorkOrder: 2307968

Project: 24001500.001A; Norris Creek

TEQ Toxicity Equivalents
TZA TimeZone Net Adjustment for sample collected outside of MAI's UTC.
WET (STLC) Waste Extraction Test (Soluble Threshold Limit Concentration)

Analytical Qualifiers

S Surrogate recovery outside accepted recovery limits.
a3 Sample diluted due to high organic content interfering with quantitative/or qualitative analysis.
a9 Reporting limit near, but not identical to, our standard reporting limit due to variable Encore, Terracore, or Solid sample weight.
c1 Surrogate recovery outside of the control limits due to the dilution of the sample.
e2 Diesel range compounds are detected; no recognizable pattern.
e7 Oil range compounds are detected.

Quality Control Qualifiers

F2 LCS/LCSD recovery and/or RPD/RSD is out of acceptance criteria.



Case Narrative

Client: Kleinfelder, Inc.
Project: 24001500.001A; Norris Creek

Work Order: 2307968
July 24, 2023

Percent Moisture

In accordance with SW-846, 8000, percent moisture is reported as:

$$[\text{Moisture Weight (g)}] / [\text{Sample Wet Weight (g)}] \times 100$$



Detection Summary

Client: Kleinfelder, Inc.
Project: 24001500.001A; Norris Creek

WorkOrder: 2307968

Client ID: HA-1-0.5,1.5,2.5,3.5'

Lab ID: 2307968-001A

Date Collected: 07/17/2023 12:35

Matrix: Soil

Date Received: 07/17/2023 18:00

Analyte	Result	Qual	RL	DF	Unit	ExtType/ CleanUp	Method
Mercury	0.018		0.017	1	mg/Kg		SW7471B
% Moisture	18.8		0.100		wet wt%		SW8000
TPH-Diesel (C10-C23)	4.6		2.0	1	mg/Kg		SW8015B
TPH-Motor Oil (C18-C36)	19		10	1	mg/Kg		SW8015B
pH	7.41		±0.1	1	±, pH units		SW9045C

Client ID: HA-1-0.5,1.5,2.5,3.5'

Lab ID: 2307968-001B

Date Collected: 07/17/2023 12:35

Matrix: Soil

Date Received: 07/17/2023 18:00

Analyte	Result	Qual	RL	DF	Unit	ExtType/ CleanUp	Method
Arsenic	3.5		0.50	1	mg/Kg		SW6020
Barium	110		5.0	1	mg/Kg		SW6020
Chromium	50		0.50	1	mg/Kg		SW6020
Cobalt	13		0.50	1	mg/Kg		SW6020
Copper	19		0.50	1	mg/Kg		SW6020
Lead	6.8		0.50	1	mg/Kg		SW6020
Nickel	62		0.50	1	mg/Kg		SW6020
Vanadium	44		0.50	1	mg/Kg		SW6020
Zinc	53		5.0	1	mg/Kg		SW6020
Chromium	0.12		0.10	1	mg/L	WET	SW6020

Client ID: HA-2-0.5,1.5,2.5,3.5'

Lab ID: 2307968-002A

Date Collected: 07/17/2023 13:45

Matrix: Soil

Date Received: 07/17/2023 18:00

Analyte	Result	Qual	RL	DF	Unit	ExtType/ CleanUp	Method
Mercury	0.018		0.017	1	mg/Kg		SW7471B
% Moisture	26.6		0.100		wet wt%		SW8000
TPH-Diesel (C10-C23)	13		2.0	1	mg/Kg		SW8015B
TPH-Motor Oil (C18-C36)	32		10	1	mg/Kg		SW8015B
pH	7.79		±0.1	1	±, pH units		SW9045C



Detection Summary

Client: Kleinfelder, Inc.
Project: 24001500.001A; Norris Creek

WorkOrder: 2307968

Client ID: HA-2-0.5,1.5,2.5,3.5'

Lab ID: 2307968-002B

Date Collected: 07/17/2023 13:45

Matrix: Soil

Date Received: 07/17/2023 18:00

Analyte	Result	Qual	RL	DF	Unit	ExtType/ CleanUp	Method
Arsenic	4.0		0.50	1	mg/Kg		SW6020
Barium	110		5.0	1	mg/Kg		SW6020
Chromium	42		0.50	1	mg/Kg		SW6020
Cobalt	11		0.50	1	mg/Kg		SW6020
Copper	12		0.50	1	mg/Kg		SW6020
Lead	4.6		0.50	1	mg/Kg		SW6020
Nickel	42		0.50	1	mg/Kg		SW6020
Vanadium	45		0.50	1	mg/Kg		SW6020
Zinc	42		5.0	1	mg/Kg		SW6020

Client ID: HA-3-0.5,1.0,2.0,2.5'

Lab ID: 2307968-003A

Date Collected: 07/17/2023 14:30

Matrix: Soil

Date Received: 07/17/2023 18:00

Analyte	Result	Qual	RL	DF	Unit	ExtType/ CleanUp	Method
Mercury	0.026		0.017	1	mg/Kg		SW7471B
% Moisture	28.6		0.100		wet wt%		SW8000
TPH-Diesel (C10-C23)	4.3		2.0	1	mg/Kg		SW8015B
TPH-Motor Oil (C18-C36)	30		10	1	mg/Kg		SW8015B
pH	8.60		±0.1	1	±, pH units		SW9045C

Client ID: HA-3-0.5,1.0,2.0,2.5'

Lab ID: 2307968-003B

Date Collected: 07/17/2023 14:30

Matrix: Soil

Date Received: 07/17/2023 18:00

Analyte	Result	Qual	RL	DF	Unit	ExtType/ CleanUp	Method
Arsenic	4.9		0.50	1	mg/Kg		SW6020
Barium	170		5.0	1	mg/Kg		SW6020
Chromium	38		0.50	1	mg/Kg		SW6020
Cobalt	9.0		0.50	1	mg/Kg		SW6020
Copper	13		0.50	1	mg/Kg		SW6020
Lead	10		0.50	1	mg/Kg		SW6020
Nickel	44		0.50	1	mg/Kg		SW6020
Vanadium	43		0.50	1	mg/Kg		SW6020
Zinc	40		5.0	1	mg/Kg		SW6020



Detection Summary

Client: Kleinfelder, Inc.
Project: 24001500.001A; Norris Creek

WorkOrder: 2307968

Client ID: HA-4-0.25,0.5,0.75,1.0'

Lab ID: 2307968-004A

Date Collected: 07/17/2023 15:20

Matrix: Soil

Date Received: 07/17/2023 18:00

Analyte	Result	Qual	RL	DF	Unit	ExtType/ CleanUp	Method
Mercury	0.032		0.017	1	mg/Kg		SW7471B
% Moisture	25.6		0.100		wet wt%		SW8000
TPH-Diesel (C10-C23)	2.2		2.0	1	mg/Kg		SW8015B
pH	8.64		±0.1	1	±, pH units		SW9045C

Client ID: HA-4-0.25,0.5,0.75,1.0'

Lab ID: 2307968-004B

Date Collected: 07/17/2023 15:20

Matrix: Soil

Date Received: 07/17/2023 18:00

Analyte	Result	Qual	RL	DF	Unit	ExtType/ CleanUp	Method
Arsenic	5.0		0.50	1	mg/Kg		SW6020
Barium	190		5.0	1	mg/Kg		SW6020
Chromium	49		0.50	1	mg/Kg		SW6020
Cobalt	9.5		0.50	1	mg/Kg		SW6020
Copper	18		0.50	1	mg/Kg		SW6020
Lead	7.9		0.50	1	mg/Kg		SW6020
Nickel	55		0.50	1	mg/Kg		SW6020
Vanadium	45		0.50	1	mg/Kg		SW6020
Zinc	52		5.0	1	mg/Kg		SW6020

Client ID: HA-5-0.1,0.25,0.4,0.5'

Lab ID: 2307968-005A

Date Collected: 07/17/2023 15:50

Matrix: Soil

Date Received: 07/17/2023 18:00

Analyte	Result	Qual	RL	DF	Unit	ExtType/ CleanUp	Method
Mercury	0.025		0.017	1	mg/Kg		SW7471B
% Moisture	36.8		0.100		wet wt%		SW8000
TPH-Diesel (C10-C23)	2.2		2.0	1	mg/Kg		SW8015B
TPH-Motor Oil (C18-C36)	22		10	1	mg/Kg		SW8015B
pH	7.75		±0.1	1	±, pH units		SW9045C



Detection Summary

Client: Kleinfelder, Inc.
Project: 24001500.001A; Norris Creek

WorkOrder: 2307968

Client ID: HA-5-0.1,0.25,0.4,0.5'

Lab ID: 2307968-005B

Date Collected: 07/17/2023 15:50

Matrix: Soil

Date Received: 07/17/2023 18:00

Analyte	Result	Qual	RL	DF	Unit	ExtType/ CleanUp	Method
Arsenic	3.4		0.50	1	mg/Kg		SW6020
Barium	170		5.0	1	mg/Kg		SW6020
Chromium	39		0.50	1	mg/Kg		SW6020
Cobalt	8.5		0.50	1	mg/Kg		SW6020
Copper	15		0.50	1	mg/Kg		SW6020
Lead	5.3		0.50	1	mg/Kg		SW6020
Nickel	45		0.50	1	mg/Kg		SW6020
Vanadium	40		0.50	1	mg/Kg		SW6020
Zinc	40		5.0	1	mg/Kg		SW6020

Client ID: HA-1-1.0' (#1)

Lab ID: 2307968-021A

Date Collected: 07/17/2023 12:16

Matrix: Soil

Date Received: 07/17/2023 18:00

No Detections for Method: SW8260B.

Client ID: HA-2-1.0' (#2)

Lab ID: 2307968-022A

Date Collected: 07/17/2023 13:22

Matrix: Soil

Date Received: 07/17/2023 18:00

No Detections for Method: SW8260B.

Client ID: HA-3-1.0' (#3)

Lab ID: 2307968-023A

Date Collected: 07/17/2023 14:17

Matrix: Soil

Date Received: 07/17/2023 18:00

No Detections for Method: SW8260B.

Client ID: HA-4-1.0' (#4)

Lab ID: 2307968-024A

Date Collected: 07/17/2023 15:25

Matrix: Soil

Date Received: 07/17/2023 18:00

No Detections for Method: SW8260B.

Client ID: HA-5-0.5' (#5)

Lab ID: 2307968-025A

Date Collected: 07/17/2023 15:55

Matrix: Soil

Date Received: 07/17/2023 18:00

Analyte	Result	Qual	RL	DF	Unit	ExtType/ CleanUp	Method
4-Isopropyl toluene	0.055		0.012	1	mg/Kg		SW8260B



Analytical Report

Client: Kleinfelder, Inc.
Date Received: 07/17/2023 18:00
Date Prepared: 07/17/2023
Project: 24001500.001A; Norris Creek

WorkOrder: 2307968
Extraction Method: SW3550B
Analytical Method: SW8081A/8082
Unit: mg/kg

Organochlorine Pesticides + PCBs

Client ID	Lab ID	Matrix	Date Collected	Instrument	Batch ID
HA-1-0.5,1.5,2.5,3.5'	2307968-001A	Soil	07/17/2023 12:35	GC20 07192330.D	273779

Analytes	Result	RL	DF	Date Analyzed
Aldrin	ND	0.0010	1	07/19/2023 19:45
a-BHC	ND	0.0010	1	07/19/2023 19:45
b-BHC	ND	0.0010	1	07/19/2023 19:45
d-BHC	ND	0.0010	1	07/19/2023 19:45
g-BHC	ND	0.0010	1	07/19/2023 19:45
Chlordane (Technical)	ND	0.025	1	07/19/2023 19:45
a-Chlordane	ND	0.0010	1	07/19/2023 19:45
g-Chlordane	ND	0.0010	1	07/19/2023 19:45
p,p-DDD	ND	0.0010	1	07/19/2023 19:45
p,p-DDE	ND	0.0010	1	07/19/2023 19:45
p,p-DDT	ND	0.0010	1	07/19/2023 19:45
Dieldrin	ND	0.0010	1	07/19/2023 19:45
Endosulfan I	ND	0.0010	1	07/19/2023 19:45
Endosulfan II	ND	0.0010	1	07/19/2023 19:45
Endosulfan sulfate	ND	0.0010	1	07/19/2023 19:45
Endrin	ND	0.0010	1	07/19/2023 19:45
Endrin aldehyde	ND	0.0010	1	07/19/2023 19:45
Endrin ketone	ND	0.0010	1	07/19/2023 19:45
Heptachlor	ND	0.0010	1	07/19/2023 19:45
Heptachlor epoxide	ND	0.0010	1	07/19/2023 19:45
Hexachlorobenzene	ND	0.010	1	07/19/2023 19:45
Hexachlorocyclopentadiene	ND	0.020	1	07/19/2023 19:45
Methoxychlor	ND	0.0010	1	07/19/2023 19:45
Toxaphene	ND	0.050	1	07/19/2023 19:45
Aroclor1016	ND	0.050	1	07/19/2023 19:45
Aroclor1221	ND	0.050	1	07/19/2023 19:45
Aroclor1232	ND	0.050	1	07/19/2023 19:45
Aroclor1242	ND	0.050	1	07/19/2023 19:45
Aroclor1248	ND	0.050	1	07/19/2023 19:45
Aroclor1254	ND	0.050	1	07/19/2023 19:45
Aroclor1260	ND	0.050	1	07/19/2023 19:45
PCBs, total	ND	0.050	1	07/19/2023 19:45

Surrogates	REC (%)	Limits	Date Analyzed
Decachlorobiphenyl	100	60-130	07/19/2023 19:45

Analyst(s): CK

(Cont.)



Analytical Report

Client: Kleinfelder, Inc.
Date Received: 07/17/2023 18:00
Date Prepared: 07/17/2023
Project: 24001500.001A; Norris Creek

WorkOrder: 2307968
Extraction Method: SW3550B
Analytical Method: SW8081A/8082
Unit: mg/kg

Organochlorine Pesticides + PCBs

Client ID	Lab ID	Matrix	Date Collected	Instrument	Batch ID
HA-2-0.5,1.5,2.5,3.5'	2307968-002A	Soil	07/17/2023 13:45	GC20 07192351.D	273779

Analytes	Result	RL	DF	Date Analyzed
Aldrin	ND	0.0050	5	07/20/2023 01:16
a-BHC	ND	0.0050	5	07/20/2023 01:16
b-BHC	ND	0.0050	5	07/20/2023 01:16
d-BHC	ND	0.0050	5	07/20/2023 01:16
g-BHC	ND	0.0050	5	07/20/2023 01:16
Chlordane (Technical)	ND	0.12	5	07/20/2023 01:16
a-Chlordane	ND	0.0050	5	07/20/2023 01:16
g-Chlordane	ND	0.0050	5	07/20/2023 01:16
p,p-DDD	ND	0.0050	5	07/20/2023 01:16
p,p-DDE	ND	0.0050	5	07/20/2023 01:16
p,p-DDT	ND	0.0050	5	07/20/2023 01:16
Dieldrin	ND	0.0050	5	07/20/2023 01:16
Endosulfan I	ND	0.0050	5	07/20/2023 01:16
Endosulfan II	ND	0.0050	5	07/20/2023 01:16
Endosulfan sulfate	ND	0.0050	5	07/20/2023 01:16
Endrin	ND	0.0050	5	07/20/2023 01:16
Endrin aldehyde	ND	0.0050	5	07/20/2023 01:16
Endrin ketone	ND	0.0050	5	07/20/2023 01:16
Heptachlor	ND	0.0050	5	07/20/2023 01:16
Heptachlor epoxide	ND	0.0050	5	07/20/2023 01:16
Hexachlorobenzene	ND	0.050	5	07/20/2023 01:16
Hexachlorocyclopentadiene	ND	0.10	5	07/20/2023 01:16
Methoxychlor	ND	0.0050	5	07/20/2023 01:16
Toxaphene	ND	0.25	5	07/20/2023 01:16
Aroclor1016	ND	0.25	5	07/20/2023 01:16
Aroclor1221	ND	0.25	5	07/20/2023 01:16
Aroclor1232	ND	0.25	5	07/20/2023 01:16
Aroclor1242	ND	0.25	5	07/20/2023 01:16
Aroclor1248	ND	0.25	5	07/20/2023 01:16
Aroclor1254	ND	0.25	5	07/20/2023 01:16
Aroclor1260	ND	0.25	5	07/20/2023 01:16
PCBs, total	ND	0.25	5	07/20/2023 01:16

Surrogates	REC (%)	Limits	Date Analyzed
Decachlorobiphenyl	95	60-130	07/20/2023 01:16

Analyst(s): CK

Analytical Comments: a3

(Cont.)



Analytical Report

Client: Kleinfelder, Inc.
Date Received: 07/17/2023 18:00
Date Prepared: 07/17/2023
Project: 24001500.001A; Norris Creek

WorkOrder: 2307968
Extraction Method: SW3550B
Analytical Method: SW8081A/8082
Unit: mg/kg

Organochlorine Pesticides + PCBs

Client ID	Lab ID	Matrix	Date Collected	Instrument	Batch ID
HA-3-0.5,1.0,2.0,2.5'	2307968-003A	Soil	07/17/2023 14:30	GC20 07192331.D	273779

Analytes	Result	RL	DF	Date Analyzed
Aldrin	ND	0.0010	1	07/19/2023 20:00
a-BHC	ND	0.0010	1	07/19/2023 20:00
b-BHC	ND	0.0010	1	07/19/2023 20:00
d-BHC	ND	0.0010	1	07/19/2023 20:00
g-BHC	ND	0.0010	1	07/19/2023 20:00
Chlordane (Technical)	ND	0.025	1	07/19/2023 20:00
a-Chlordane	ND	0.0010	1	07/19/2023 20:00
g-Chlordane	ND	0.0010	1	07/19/2023 20:00
p,p-DDD	ND	0.0010	1	07/19/2023 20:00
p,p-DDE	ND	0.0010	1	07/19/2023 20:00
p,p-DDT	ND	0.0010	1	07/19/2023 20:00
Dieldrin	ND	0.0010	1	07/19/2023 20:00
Endosulfan I	ND	0.0010	1	07/19/2023 20:00
Endosulfan II	ND	0.0010	1	07/19/2023 20:00
Endosulfan sulfate	ND	0.0010	1	07/19/2023 20:00
Endrin	ND	0.0010	1	07/19/2023 20:00
Endrin aldehyde	ND	0.0010	1	07/19/2023 20:00
Endrin ketone	ND	0.0010	1	07/19/2023 20:00
Heptachlor	ND	0.0010	1	07/19/2023 20:00
Heptachlor epoxide	ND	0.0010	1	07/19/2023 20:00
Hexachlorobenzene	ND	0.010	1	07/19/2023 20:00
Hexachlorocyclopentadiene	ND	0.020	1	07/19/2023 20:00
Methoxychlor	ND	0.0010	1	07/19/2023 20:00
Toxaphene	ND	0.050	1	07/19/2023 20:00
Aroclor1016	ND	0.050	1	07/19/2023 20:00
Aroclor1221	ND	0.050	1	07/19/2023 20:00
Aroclor1232	ND	0.050	1	07/19/2023 20:00
Aroclor1242	ND	0.050	1	07/19/2023 20:00
Aroclor1248	ND	0.050	1	07/19/2023 20:00
Aroclor1254	ND	0.050	1	07/19/2023 20:00
Aroclor1260	ND	0.050	1	07/19/2023 20:00
PCBs, total	ND	0.050	1	07/19/2023 20:00

Surrogates	REC (%)	Limits	Date Analyzed
Decachlorobiphenyl	102	60-130	07/19/2023 20:00

Analyst(s): CK

(Cont.)



Analytical Report

Client: Kleinfelder, Inc.
Date Received: 07/17/2023 18:00
Date Prepared: 07/17/2023
Project: 24001500.001A; Norris Creek

WorkOrder: 2307968
Extraction Method: SW3550B
Analytical Method: SW8081A/8082
Unit: mg/kg

Organochlorine Pesticides + PCBs

Client ID	Lab ID	Matrix	Date Collected	Instrument	Batch ID
HA-4-0.25,0.5,0.75,1.0'	2307968-004A	Soil	07/17/2023 15:20	GC20 07192332.D	273779

Analytes	Result	RL	DF	Date Analyzed
Aldrin	ND	0.0010	1	07/19/2023 20:16
a-BHC	ND	0.0010	1	07/19/2023 20:16
b-BHC	ND	0.0010	1	07/19/2023 20:16
d-BHC	ND	0.0010	1	07/19/2023 20:16
g-BHC	ND	0.0010	1	07/19/2023 20:16
Chlordane (Technical)	ND	0.025	1	07/19/2023 20:16
a-Chlordane	ND	0.0010	1	07/19/2023 20:16
g-Chlordane	ND	0.0010	1	07/19/2023 20:16
p,p-DDD	ND	0.0010	1	07/19/2023 20:16
p,p-DDE	ND	0.0010	1	07/19/2023 20:16
p,p-DDT	ND	0.0010	1	07/19/2023 20:16
Dieldrin	ND	0.0010	1	07/19/2023 20:16
Endosulfan I	ND	0.0010	1	07/19/2023 20:16
Endosulfan II	ND	0.0010	1	07/19/2023 20:16
Endosulfan sulfate	ND	0.0010	1	07/19/2023 20:16
Endrin	ND	0.0010	1	07/19/2023 20:16
Endrin aldehyde	ND	0.0010	1	07/19/2023 20:16
Endrin ketone	ND	0.0010	1	07/19/2023 20:16
Heptachlor	ND	0.0010	1	07/19/2023 20:16
Heptachlor epoxide	ND	0.0010	1	07/19/2023 20:16
Hexachlorobenzene	ND	0.010	1	07/19/2023 20:16
Hexachlorocyclopentadiene	ND	0.020	1	07/19/2023 20:16
Methoxychlor	ND	0.0010	1	07/19/2023 20:16
Toxaphene	ND	0.050	1	07/19/2023 20:16
Aroclor1016	ND	0.050	1	07/19/2023 20:16
Aroclor1221	ND	0.050	1	07/19/2023 20:16
Aroclor1232	ND	0.050	1	07/19/2023 20:16
Aroclor1242	ND	0.050	1	07/19/2023 20:16
Aroclor1248	ND	0.050	1	07/19/2023 20:16
Aroclor1254	ND	0.050	1	07/19/2023 20:16
Aroclor1260	ND	0.050	1	07/19/2023 20:16
PCBs, total	ND	0.050	1	07/19/2023 20:16

Surrogates	REC (%)	Limits	Date Analyzed
Decachlorobiphenyl	99	60-130	07/19/2023 20:16

Analyst(s): CK

(Cont.)



Analytical Report

Client: Kleinfelder, Inc.
Date Received: 07/17/2023 18:00
Date Prepared: 07/17/2023
Project: 24001500.001A; Norris Creek

WorkOrder: 2307968
Extraction Method: SW3550B
Analytical Method: SW8081A/8082
Unit: mg/kg

Organochlorine Pesticides + PCBs

Client ID	Lab ID	Matrix	Date Collected	Instrument	Batch ID
HA-5-0.1,0.25,0.4,0.5'	2307968-005A	Soil	07/17/2023 15:50	GC20 07192333.D	273779

Analytes	Result	RL	DF	Date Analyzed
Aldrin	ND	0.0010	1	07/19/2023 20:32
a-BHC	ND	0.0010	1	07/19/2023 20:32
b-BHC	ND	0.0010	1	07/19/2023 20:32
d-BHC	ND	0.0010	1	07/19/2023 20:32
g-BHC	ND	0.0010	1	07/19/2023 20:32
Chlordane (Technical)	ND	0.025	1	07/19/2023 20:32
a-Chlordane	ND	0.0010	1	07/19/2023 20:32
g-Chlordane	ND	0.0010	1	07/19/2023 20:32
p,p-DDD	ND	0.0010	1	07/19/2023 20:32
p,p-DDE	ND	0.0010	1	07/19/2023 20:32
p,p-DDT	ND	0.0010	1	07/19/2023 20:32
Dieldrin	ND	0.0010	1	07/19/2023 20:32
Endosulfan I	ND	0.0010	1	07/19/2023 20:32
Endosulfan II	ND	0.0010	1	07/19/2023 20:32
Endosulfan sulfate	ND	0.0010	1	07/19/2023 20:32
Endrin	ND	0.0010	1	07/19/2023 20:32
Endrin aldehyde	ND	0.0010	1	07/19/2023 20:32
Endrin ketone	ND	0.0010	1	07/19/2023 20:32
Heptachlor	ND	0.0010	1	07/19/2023 20:32
Heptachlor epoxide	ND	0.0010	1	07/19/2023 20:32
Hexachlorobenzene	ND	0.010	1	07/19/2023 20:32
Hexachlorocyclopentadiene	ND	0.020	1	07/19/2023 20:32
Methoxychlor	ND	0.0010	1	07/19/2023 20:32
Toxaphene	ND	0.050	1	07/19/2023 20:32
Aroclor1016	ND	0.050	1	07/19/2023 20:32
Aroclor1221	ND	0.050	1	07/19/2023 20:32
Aroclor1232	ND	0.050	1	07/19/2023 20:32
Aroclor1242	ND	0.050	1	07/19/2023 20:32
Aroclor1248	ND	0.050	1	07/19/2023 20:32
Aroclor1254	ND	0.050	1	07/19/2023 20:32
Aroclor1260	ND	0.050	1	07/19/2023 20:32
PCBs, total	ND	0.050	1	07/19/2023 20:32

Surrogates	REC (%)	Limits	Date Analyzed
Decachlorobiphenyl	107	60-130	07/19/2023 20:32

Analyst(s): CK



Analytical Report

Client: Kleinfelder, Inc.
Date Received: 07/17/2023 18:00
Date Prepared: 07/17/2023
Project: 24001500.001A; Norris Creek

WorkOrder: 2307968
Extraction Method: SW5035
Analytical Method: SW8260B
Unit: mg/Kg

Volatile Organics [Encore Sampling]

Client ID	Lab ID	Matrix	Date Collected	Instrument	Batch ID
HA-1-1.0' (#1)	2307968-021A	Soil	07/17/2023 12:16	GC49 07202311.D	273862

Analytes	Result	RL	DF	Date Analyzed
Acetone	ND	0.34	1	07/20/2023 15:32
tert-Amyl methyl ether (TAME)	ND	0.0084	1	07/20/2023 15:32
Benzene	ND	0.0084	1	07/20/2023 15:32
Bromobenzene	ND	0.0084	1	07/20/2023 15:32
Bromochloromethane	ND	0.0084	1	07/20/2023 15:32
Bromodichloromethane	ND	0.0017	1	07/20/2023 15:32
Bromoform	ND	0.0084	1	07/20/2023 15:32
Bromomethane	ND	0.0084	1	07/20/2023 15:32
2-Butanone (MEK)	ND	0.084	1	07/20/2023 15:32
t-Butyl alcohol (TBA)	ND	0.084	1	07/20/2023 15:32
n-Butyl benzene	ND	0.0084	1	07/20/2023 15:32
sec-Butyl benzene	ND	0.0084	1	07/20/2023 15:32
tert-Butyl benzene	ND	0.0084	1	07/20/2023 15:32
Carbon Disulfide	ND	0.0084	1	07/20/2023 15:32
Carbon Tetrachloride	ND	0.0084	1	07/20/2023 15:32
Chlorobenzene	ND	0.0084	1	07/20/2023 15:32
Chloroethane	ND	0.0084	1	07/20/2023 15:32
Chloroform	ND	0.0084	1	07/20/2023 15:32
Chloromethane	ND	0.0084	1	07/20/2023 15:32
2-Chlorotoluene	ND	0.0084	1	07/20/2023 15:32
4-Chlorotoluene	ND	0.0084	1	07/20/2023 15:32
Dibromochloromethane	ND	0.0084	1	07/20/2023 15:32
1,2-Dibromo-3-chloropropane	ND	0.00084	1	07/20/2023 15:32
1,2-Dibromoethane (EDB)	ND	0.00042	1	07/20/2023 15:32
Dibromomethane	ND	0.0084	1	07/20/2023 15:32
1,2-Dichlorobenzene	ND	0.0084	1	07/20/2023 15:32
1,3-Dichlorobenzene	ND	0.0084	1	07/20/2023 15:32
1,4-Dichlorobenzene	ND	0.0084	1	07/20/2023 15:32
Dichlorodifluoromethane	ND	0.0084	1	07/20/2023 15:32
1,1-Dichloroethane	ND	0.0084	1	07/20/2023 15:32
1,2-Dichloroethane (1,2-DCA)	ND	0.00042	1	07/20/2023 15:32
1,1-Dichloroethene	ND	0.0084	1	07/20/2023 15:32
cis-1,2-Dichloroethene	ND	0.0084	1	07/20/2023 15:32
trans-1,2-Dichloroethene	ND	0.0084	1	07/20/2023 15:32
1,2-Dichloropropane	ND	0.0084	1	07/20/2023 15:32
1,3-Dichloropropane	ND	0.0084	1	07/20/2023 15:32
2,2-Dichloropropane	ND	0.0084	1	07/20/2023 15:32

(Cont.)



Analytical Report

Client: Kleinfelder, Inc.
Date Received: 07/17/2023 18:00
Date Prepared: 07/17/2023
Project: 24001500.001A; Norris Creek

WorkOrder: 2307968
Extraction Method: SW5035
Analytical Method: SW8260B
Unit: mg/Kg

Volatile Organics [Encore Sampling]

Client ID	Lab ID	Matrix	Date Collected	Instrument	Batch ID
HA-1-1.0' (#1)	2307968-021A	Soil	07/17/2023 12:16	GC49 07202311.D	273862

Analytes	Result	RL	DF	Date Analyzed
1,1-Dichloropropene	ND	0.0084	1	07/20/2023 15:32
cis-1,3-Dichloropropene	ND	0.0084	1	07/20/2023 15:32
trans-1,3-Dichloropropene	ND	0.0084	1	07/20/2023 15:32
Diisopropyl ether (DIPE)	ND	0.0084	1	07/20/2023 15:32
Ethylbenzene	ND	0.0084	1	07/20/2023 15:32
Ethyl tert-butyl ether (ETBE)	ND	0.0084	1	07/20/2023 15:32
Freon 113	ND	0.0084	1	07/20/2023 15:32
Hexachlorobutadiene	ND	0.0084	1	07/20/2023 15:32
Hexachloroethane	ND	0.0084	1	07/20/2023 15:32
2-Hexanone	ND	0.0084	1	07/20/2023 15:32
Isopropylbenzene	ND	0.0084	1	07/20/2023 15:32
4-Isopropyl toluene	ND	0.0084	1	07/20/2023 15:32
Methyl-t-butyl ether (MTBE)	ND	0.0084	1	07/20/2023 15:32
Methylene chloride	ND	0.034	1	07/20/2023 15:32
4-Methyl-2-pentanone (MIBK)	ND	0.0084	1	07/20/2023 15:32
Naphthalene	ND	0.0084	1	07/20/2023 15:32
n-Propyl benzene	ND	0.0084	1	07/20/2023 15:32
Styrene	ND	0.0084	1	07/20/2023 15:32
1,1,1,2-Tetrachloroethane	ND	0.0084	1	07/20/2023 15:32
1,1,2,2-Tetrachloroethane	ND	0.0084	1	07/20/2023 15:32
Tetrachloroethene	ND	0.0084	1	07/20/2023 15:32
Toluene	ND	0.0084	1	07/20/2023 15:32
1,2,3-Trichlorobenzene	ND	0.0084	1	07/20/2023 15:32
1,2,4-Trichlorobenzene	ND	0.0084	1	07/20/2023 15:32
1,1,1-Trichloroethane	ND	0.0084	1	07/20/2023 15:32
1,1,2-Trichloroethane	ND	0.0084	1	07/20/2023 15:32
Trichloroethene	ND	0.0084	1	07/20/2023 15:32
Trichlorofluoromethane	ND	0.0084	1	07/20/2023 15:32
1,2,3-Trichloropropane	ND	0.00042	1	07/20/2023 15:32
1,2,4-Trimethylbenzene	ND	0.0084	1	07/20/2023 15:32
1,3,5-Trimethylbenzene	ND	0.0084	1	07/20/2023 15:32
Vinyl Chloride	ND	0.00042	1	07/20/2023 15:32
m,p-Xylene	ND	0.0084	1	07/20/2023 15:32
o-Xylene	ND	0.0084	1	07/20/2023 15:32
Xylenes, Total	ND	0.0084	1	07/20/2023 15:32

(Cont.)



Analytical Report

Client: Kleinfelder, Inc.
Date Received: 07/17/2023 18:00
Date Prepared: 07/17/2023
Project: 24001500.001A; Norris Creek

WorkOrder: 2307968
Extraction Method: SW5035
Analytical Method: SW8260B
Unit: mg/Kg

Volatile Organics [Encore Sampling]

Client ID	Lab ID	Matrix	Date Collected	Instrument	Batch ID
HA-1-1.0' (#1)	2307968-021A	Soil	07/17/2023 12:16	GC49 07202311.D	273862

Analytes	Result	RL	DF	Date Analyzed
<u>Surrogates</u>	<u>REC (%)</u>	<u>Limits</u>		
Dibromofluoromethane	101	70-140		07/20/2023 15:32
Toluene-d8	98	70-140		07/20/2023 15:32
4-BFB	113	70-140		07/20/2023 15:32
Benzene-d6	86	50-140		07/20/2023 15:32
Ethylbenzene-d10	94	50-140		07/20/2023 15:32
1,2-DCB-d4	79	40-140		07/20/2023 15:32

Analyst(s): ALU

Analytical Comments: a9



Analytical Report

Client: Kleinfelder, Inc.
Date Received: 07/17/2023 18:00
Date Prepared: 07/17/2023
Project: 24001500.001A; Norris Creek

WorkOrder: 2307968
Extraction Method: SW5035
Analytical Method: SW8260B
Unit: mg/Kg

Volatile Organics [Encore Sampling]

Client ID	Lab ID	Matrix	Date Collected	Instrument	Batch ID
HA-2-1.0' (#2)	2307968-022A	Soil	07/17/2023 13:22	GC49 07202312.D	273862

Analytes	Result	RL	DF	Date Analyzed
Acetone	ND	0.35	1	07/20/2023 16:16
tert-Amyl methyl ether (TAME)	ND	0.0087	1	07/20/2023 16:16
Benzene	ND	0.0087	1	07/20/2023 16:16
Bromobenzene	ND	0.0087	1	07/20/2023 16:16
Bromochloromethane	ND	0.0087	1	07/20/2023 16:16
Bromodichloromethane	ND	0.0017	1	07/20/2023 16:16
Bromoform	ND	0.0087	1	07/20/2023 16:16
Bromomethane	ND	0.0087	1	07/20/2023 16:16
2-Butanone (MEK)	ND	0.087	1	07/20/2023 16:16
t-Butyl alcohol (TBA)	ND	0.087	1	07/20/2023 16:16
n-Butyl benzene	ND	0.0087	1	07/20/2023 16:16
sec-Butyl benzene	ND	0.0087	1	07/20/2023 16:16
tert-Butyl benzene	ND	0.0087	1	07/20/2023 16:16
Carbon Disulfide	ND	0.0087	1	07/20/2023 16:16
Carbon Tetrachloride	ND	0.0087	1	07/20/2023 16:16
Chlorobenzene	ND	0.0087	1	07/20/2023 16:16
Chloroethane	ND	0.0087	1	07/20/2023 16:16
Chloroform	ND	0.0087	1	07/20/2023 16:16
Chloromethane	ND	0.0087	1	07/20/2023 16:16
2-Chlorotoluene	ND	0.0087	1	07/20/2023 16:16
4-Chlorotoluene	ND	0.0087	1	07/20/2023 16:16
Dibromochloromethane	ND	0.0087	1	07/20/2023 16:16
1,2-Dibromo-3-chloropropane	ND	0.00087	1	07/20/2023 16:16
1,2-Dibromoethane (EDB)	ND	0.00044	1	07/20/2023 16:16
Dibromomethane	ND	0.0087	1	07/20/2023 16:16
1,2-Dichlorobenzene	ND	0.0087	1	07/20/2023 16:16
1,3-Dichlorobenzene	ND	0.0087	1	07/20/2023 16:16
1,4-Dichlorobenzene	ND	0.0087	1	07/20/2023 16:16
Dichlorodifluoromethane	ND	0.0087	1	07/20/2023 16:16
1,1-Dichloroethane	ND	0.0087	1	07/20/2023 16:16
1,2-Dichloroethane (1,2-DCA)	ND	0.00044	1	07/20/2023 16:16
1,1-Dichloroethene	ND	0.0087	1	07/20/2023 16:16
cis-1,2-Dichloroethene	ND	0.0087	1	07/20/2023 16:16
trans-1,2-Dichloroethene	ND	0.0087	1	07/20/2023 16:16
1,2-Dichloropropane	ND	0.0087	1	07/20/2023 16:16
1,3-Dichloropropane	ND	0.0087	1	07/20/2023 16:16
2,2-Dichloropropane	ND	0.0087	1	07/20/2023 16:16

(Cont.)



Analytical Report

Client: Kleinfelder, Inc.
Date Received: 07/17/2023 18:00
Date Prepared: 07/17/2023
Project: 24001500.001A; Norris Creek

WorkOrder: 2307968
Extraction Method: SW5035
Analytical Method: SW8260B
Unit: mg/Kg

Volatile Organics [Encore Sampling]

Client ID	Lab ID	Matrix	Date Collected	Instrument	Batch ID
HA-2-1.0' (#2)	2307968-022A	Soil	07/17/2023 13:22	GC49 07202312.D	273862

Analytes	Result	RL	DF	Date Analyzed
1,1-Dichloropropene	ND	0.0087	1	07/20/2023 16:16
cis-1,3-Dichloropropene	ND	0.0087	1	07/20/2023 16:16
trans-1,3-Dichloropropene	ND	0.0087	1	07/20/2023 16:16
Diisopropyl ether (DIPE)	ND	0.0087	1	07/20/2023 16:16
Ethylbenzene	ND	0.0087	1	07/20/2023 16:16
Ethyl tert-butyl ether (ETBE)	ND	0.0087	1	07/20/2023 16:16
Freon 113	ND	0.0087	1	07/20/2023 16:16
Hexachlorobutadiene	ND	0.0087	1	07/20/2023 16:16
Hexachloroethane	ND	0.0087	1	07/20/2023 16:16
2-Hexanone	ND	0.0087	1	07/20/2023 16:16
Isopropylbenzene	ND	0.0087	1	07/20/2023 16:16
4-Isopropyl toluene	ND	0.0087	1	07/20/2023 16:16
Methyl-t-butyl ether (MTBE)	ND	0.0087	1	07/20/2023 16:16
Methylene chloride	ND	0.035	1	07/20/2023 16:16
4-Methyl-2-pentanone (MIBK)	ND	0.0087	1	07/20/2023 16:16
Naphthalene	ND	0.0087	1	07/20/2023 16:16
n-Propyl benzene	ND	0.0087	1	07/20/2023 16:16
Styrene	ND	0.0087	1	07/20/2023 16:16
1,1,1,2-Tetrachloroethane	ND	0.0087	1	07/20/2023 16:16
1,1,2,2-Tetrachloroethane	ND	0.0087	1	07/20/2023 16:16
Tetrachloroethene	ND	0.0087	1	07/20/2023 16:16
Toluene	ND	0.0087	1	07/20/2023 16:16
1,2,3-Trichlorobenzene	ND	0.0087	1	07/20/2023 16:16
1,2,4-Trichlorobenzene	ND	0.0087	1	07/20/2023 16:16
1,1,1-Trichloroethane	ND	0.0087	1	07/20/2023 16:16
1,1,2-Trichloroethane	ND	0.0087	1	07/20/2023 16:16
Trichloroethene	ND	0.0087	1	07/20/2023 16:16
Trichlorofluoromethane	ND	0.0087	1	07/20/2023 16:16
1,2,3-Trichloropropane	ND	0.00044	1	07/20/2023 16:16
1,2,4-Trimethylbenzene	ND	0.0087	1	07/20/2023 16:16
1,3,5-Trimethylbenzene	ND	0.0087	1	07/20/2023 16:16
Vinyl Chloride	ND	0.00044	1	07/20/2023 16:16
m,p-Xylene	ND	0.0087	1	07/20/2023 16:16
o-Xylene	ND	0.0087	1	07/20/2023 16:16
Xylenes, Total	ND	0.0087	1	07/20/2023 16:16

(Cont.)



Analytical Report

Client: Kleinfelder, Inc.
Date Received: 07/17/2023 18:00
Date Prepared: 07/17/2023
Project: 24001500.001A; Norris Creek

WorkOrder: 2307968
Extraction Method: SW5035
Analytical Method: SW8260B
Unit: mg/Kg

Volatile Organics [Encore Sampling]

Client ID	Lab ID	Matrix	Date Collected	Instrument	Batch ID
HA-2-1.0' (#2)	2307968-022A	Soil	07/17/2023 13:22	GC49 07202312.D	273862

Analytes	Result	RL	DF	Date Analyzed
<u>Surrogates</u>	<u>REC (%)</u>	<u>Limits</u>		
Dibromofluoromethane	103	70-140		07/20/2023 16:16
Toluene-d8	97	70-140		07/20/2023 16:16
4-BFB	111	70-140		07/20/2023 16:16
Benzene-d6	85	50-140		07/20/2023 16:16
Ethylbenzene-d10	90	50-140		07/20/2023 16:16
1,2-DCB-d4	79	40-140		07/20/2023 16:16

Analyst(s): ALU

Analytical Comments: a9



Analytical Report

Client: Kleinfelder, Inc.
Date Received: 07/17/2023 18:00
Date Prepared: 07/17/2023
Project: 24001500.001A; Norris Creek

WorkOrder: 2307968
Extraction Method: SW5035
Analytical Method: SW8260B
Unit: mg/Kg

Volatile Organics [Encore Sampling]

Client ID	Lab ID	Matrix	Date Collected	Instrument	Batch ID
HA-3-1.0' (#3)	2307968-023A	Soil	07/17/2023 14:17	GC49 07202313.D	273862

Analytes	Result	RL	DF	Date Analyzed
Acetone	ND	0.35	1	07/20/2023 17:01
tert-Amyl methyl ether (TAME)	ND	0.0088	1	07/20/2023 17:01
Benzene	ND	0.0088	1	07/20/2023 17:01
Bromobenzene	ND	0.0088	1	07/20/2023 17:01
Bromochloromethane	ND	0.0088	1	07/20/2023 17:01
Bromodichloromethane	ND	0.0018	1	07/20/2023 17:01
Bromoform	ND	0.0088	1	07/20/2023 17:01
Bromomethane	ND	0.0088	1	07/20/2023 17:01
2-Butanone (MEK)	ND	0.088	1	07/20/2023 17:01
t-Butyl alcohol (TBA)	ND	0.088	1	07/20/2023 17:01
n-Butyl benzene	ND	0.0088	1	07/20/2023 17:01
sec-Butyl benzene	ND	0.0088	1	07/20/2023 17:01
tert-Butyl benzene	ND	0.0088	1	07/20/2023 17:01
Carbon Disulfide	ND	0.0088	1	07/20/2023 17:01
Carbon Tetrachloride	ND	0.0088	1	07/20/2023 17:01
Chlorobenzene	ND	0.0088	1	07/20/2023 17:01
Chloroethane	ND	0.0088	1	07/20/2023 17:01
Chloroform	ND	0.0088	1	07/20/2023 17:01
Chloromethane	ND	0.0088	1	07/20/2023 17:01
2-Chlorotoluene	ND	0.0088	1	07/20/2023 17:01
4-Chlorotoluene	ND	0.0088	1	07/20/2023 17:01
Dibromochloromethane	ND	0.0088	1	07/20/2023 17:01
1,2-Dibromo-3-chloropropane	ND	0.00088	1	07/20/2023 17:01
1,2-Dibromoethane (EDB)	ND	0.00044	1	07/20/2023 17:01
Dibromomethane	ND	0.0088	1	07/20/2023 17:01
1,2-Dichlorobenzene	ND	0.0088	1	07/20/2023 17:01
1,3-Dichlorobenzene	ND	0.0088	1	07/20/2023 17:01
1,4-Dichlorobenzene	ND	0.0088	1	07/20/2023 17:01
Dichlorodifluoromethane	ND	0.0088	1	07/20/2023 17:01
1,1-Dichloroethane	ND	0.0088	1	07/20/2023 17:01
1,2-Dichloroethane (1,2-DCA)	ND	0.00044	1	07/20/2023 17:01
1,1-Dichloroethene	ND	0.0088	1	07/20/2023 17:01
cis-1,2-Dichloroethene	ND	0.0088	1	07/20/2023 17:01
trans-1,2-Dichloroethene	ND	0.0088	1	07/20/2023 17:01
1,2-Dichloropropane	ND	0.0088	1	07/20/2023 17:01
1,3-Dichloropropane	ND	0.0088	1	07/20/2023 17:01
2,2-Dichloropropane	ND	0.0088	1	07/20/2023 17:01

(Cont.)



Analytical Report

Client: Kleinfelder, Inc.
Date Received: 07/17/2023 18:00
Date Prepared: 07/17/2023
Project: 24001500.001A; Norris Creek

WorkOrder: 2307968
Extraction Method: SW5035
Analytical Method: SW8260B
Unit: mg/Kg

Volatile Organics [Encore Sampling]

Client ID	Lab ID	Matrix	Date Collected	Instrument	Batch ID
HA-3-1.0' (#3)	2307968-023A	Soil	07/17/2023 14:17	GC49 07202313.D	273862

Analytes	Result	RL	DF	Date Analyzed
1,1-Dichloropropene	ND	0.0088	1	07/20/2023 17:01
cis-1,3-Dichloropropene	ND	0.0088	1	07/20/2023 17:01
trans-1,3-Dichloropropene	ND	0.0088	1	07/20/2023 17:01
Diisopropyl ether (DIPE)	ND	0.0088	1	07/20/2023 17:01
Ethylbenzene	ND	0.0088	1	07/20/2023 17:01
Ethyl tert-butyl ether (ETBE)	ND	0.0088	1	07/20/2023 17:01
Freon 113	ND	0.0088	1	07/20/2023 17:01
Hexachlorobutadiene	ND	0.0088	1	07/20/2023 17:01
Hexachloroethane	ND	0.0088	1	07/20/2023 17:01
2-Hexanone	ND	0.0088	1	07/20/2023 17:01
Isopropylbenzene	ND	0.0088	1	07/20/2023 17:01
4-Isopropyl toluene	ND	0.0088	1	07/20/2023 17:01
Methyl-t-butyl ether (MTBE)	ND	0.0088	1	07/20/2023 17:01
Methylene chloride	ND	0.035	1	07/20/2023 17:01
4-Methyl-2-pentanone (MIBK)	ND	0.0088	1	07/20/2023 17:01
Naphthalene	ND	0.0088	1	07/20/2023 17:01
n-Propyl benzene	ND	0.0088	1	07/20/2023 17:01
Styrene	ND	0.0088	1	07/20/2023 17:01
1,1,1,2-Tetrachloroethane	ND	0.0088	1	07/20/2023 17:01
1,1,2,2-Tetrachloroethane	ND	0.0088	1	07/20/2023 17:01
Tetrachloroethene	ND	0.0088	1	07/20/2023 17:01
Toluene	ND	0.0088	1	07/20/2023 17:01
1,2,3-Trichlorobenzene	ND	0.0088	1	07/20/2023 17:01
1,2,4-Trichlorobenzene	ND	0.0088	1	07/20/2023 17:01
1,1,1-Trichloroethane	ND	0.0088	1	07/20/2023 17:01
1,1,2-Trichloroethane	ND	0.0088	1	07/20/2023 17:01
Trichloroethene	ND	0.0088	1	07/20/2023 17:01
Trichlorofluoromethane	ND	0.0088	1	07/20/2023 17:01
1,2,3-Trichloropropane	ND	0.00044	1	07/20/2023 17:01
1,2,4-Trimethylbenzene	ND	0.0088	1	07/20/2023 17:01
1,3,5-Trimethylbenzene	ND	0.0088	1	07/20/2023 17:01
Vinyl Chloride	ND	0.00044	1	07/20/2023 17:01
m,p-Xylene	ND	0.0088	1	07/20/2023 17:01
o-Xylene	ND	0.0088	1	07/20/2023 17:01
Xylenes, Total	ND	0.0088	1	07/20/2023 17:01

(Cont.)



Analytical Report

Client: Kleinfelder, Inc.
Date Received: 07/17/2023 18:00
Date Prepared: 07/17/2023
Project: 24001500.001A; Norris Creek

WorkOrder: 2307968
Extraction Method: SW5035
Analytical Method: SW8260B
Unit: mg/Kg

Volatile Organics [Encore Sampling]

Client ID	Lab ID	Matrix	Date Collected	Instrument	Batch ID
HA-3-1.0' (#3)	2307968-023A	Soil	07/17/2023 14:17	GC49 07202313.D	273862

Analytes	Result	RL	DF	Date Analyzed
<u>Surrogates</u>	<u>REC (%)</u>		<u>Limits</u>	
Dibromofluoromethane	103		70-140	07/20/2023 17:01
Toluene-d8	98		70-140	07/20/2023 17:01
4-BFB	107		70-140	07/20/2023 17:01
Benzene-d6	103		50-140	07/20/2023 17:01
Ethylbenzene-d10	93		50-140	07/20/2023 17:01
1,2-DCB-d4	82		40-140	07/20/2023 17:01

Analyst(s): ALU

Analytical Comments: a9



Analytical Report

Client: Kleinfelder, Inc.
Date Received: 07/17/2023 18:00
Date Prepared: 07/17/2023
Project: 24001500.001A; Norris Creek

WorkOrder: 2307968
Extraction Method: SW5035
Analytical Method: SW8260B
Unit: mg/Kg

Volatile Organics [Encore Sampling]

Client ID	Lab ID	Matrix	Date Collected	Instrument	Batch ID
HA-4-1.0' (#4)	2307968-024A	Soil	07/17/2023 15:25	GC49 07202314.D	273862

Analytes	Result	RL	DF	Date Analyzed
Acetone	ND	0.34	1	07/20/2023 17:46
tert-Amyl methyl ether (TAME)	ND	0.0085	1	07/20/2023 17:46
Benzene	ND	0.0085	1	07/20/2023 17:46
Bromobenzene	ND	0.0085	1	07/20/2023 17:46
Bromochloromethane	ND	0.0085	1	07/20/2023 17:46
Bromodichloromethane	ND	0.0017	1	07/20/2023 17:46
Bromoform	ND	0.0085	1	07/20/2023 17:46
Bromomethane	ND	0.0085	1	07/20/2023 17:46
2-Butanone (MEK)	ND	0.085	1	07/20/2023 17:46
t-Butyl alcohol (TBA)	ND	0.085	1	07/20/2023 17:46
n-Butyl benzene	ND	0.0085	1	07/20/2023 17:46
sec-Butyl benzene	ND	0.0085	1	07/20/2023 17:46
tert-Butyl benzene	ND	0.0085	1	07/20/2023 17:46
Carbon Disulfide	ND	0.0085	1	07/20/2023 17:46
Carbon Tetrachloride	ND	0.0085	1	07/20/2023 17:46
Chlorobenzene	ND	0.0085	1	07/20/2023 17:46
Chloroethane	ND	0.0085	1	07/20/2023 17:46
Chloroform	ND	0.0085	1	07/20/2023 17:46
Chloromethane	ND	0.0085	1	07/20/2023 17:46
2-Chlorotoluene	ND	0.0085	1	07/20/2023 17:46
4-Chlorotoluene	ND	0.0085	1	07/20/2023 17:46
Dibromochloromethane	ND	0.0085	1	07/20/2023 17:46
1,2-Dibromo-3-chloropropane	ND	0.00085	1	07/20/2023 17:46
1,2-Dibromoethane (EDB)	ND	0.00042	1	07/20/2023 17:46
Dibromomethane	ND	0.0085	1	07/20/2023 17:46
1,2-Dichlorobenzene	ND	0.0085	1	07/20/2023 17:46
1,3-Dichlorobenzene	ND	0.0085	1	07/20/2023 17:46
1,4-Dichlorobenzene	ND	0.0085	1	07/20/2023 17:46
Dichlorodifluoromethane	ND	0.0085	1	07/20/2023 17:46
1,1-Dichloroethane	ND	0.0085	1	07/20/2023 17:46
1,2-Dichloroethane (1,2-DCA)	ND	0.00042	1	07/20/2023 17:46
1,1-Dichloroethene	ND	0.0085	1	07/20/2023 17:46
cis-1,2-Dichloroethene	ND	0.0085	1	07/20/2023 17:46
trans-1,2-Dichloroethene	ND	0.0085	1	07/20/2023 17:46
1,2-Dichloropropane	ND	0.0085	1	07/20/2023 17:46
1,3-Dichloropropane	ND	0.0085	1	07/20/2023 17:46
2,2-Dichloropropane	ND	0.0085	1	07/20/2023 17:46

(Cont.)



Analytical Report

Client: Kleinfelder, Inc.
Date Received: 07/17/2023 18:00
Date Prepared: 07/17/2023
Project: 24001500.001A; Norris Creek

WorkOrder: 2307968
Extraction Method: SW5035
Analytical Method: SW8260B
Unit: mg/Kg

Volatile Organics [Encore Sampling]

Client ID	Lab ID	Matrix	Date Collected	Instrument	Batch ID
HA-4-1.0' (#4)	2307968-024A	Soil	07/17/2023 15:25	GC49 07202314.D	273862

Analytes	Result	RL	DF	Date Analyzed
1,1-Dichloropropene	ND	0.0085	1	07/20/2023 17:46
cis-1,3-Dichloropropene	ND	0.0085	1	07/20/2023 17:46
trans-1,3-Dichloropropene	ND	0.0085	1	07/20/2023 17:46
Diisopropyl ether (DIPE)	ND	0.0085	1	07/20/2023 17:46
Ethylbenzene	ND	0.0085	1	07/20/2023 17:46
Ethyl tert-butyl ether (ETBE)	ND	0.0085	1	07/20/2023 17:46
Freon 113	ND	0.0085	1	07/20/2023 17:46
Hexachlorobutadiene	ND	0.0085	1	07/20/2023 17:46
Hexachloroethane	ND	0.0085	1	07/20/2023 17:46
2-Hexanone	ND	0.0085	1	07/20/2023 17:46
Isopropylbenzene	ND	0.0085	1	07/20/2023 17:46
4-Isopropyl toluene	ND	0.0085	1	07/20/2023 17:46
Methyl-t-butyl ether (MTBE)	ND	0.0085	1	07/20/2023 17:46
Methylene chloride	ND	0.034	1	07/20/2023 17:46
4-Methyl-2-pentanone (MIBK)	ND	0.0085	1	07/20/2023 17:46
Naphthalene	ND	0.0085	1	07/20/2023 17:46
n-Propyl benzene	ND	0.0085	1	07/20/2023 17:46
Styrene	ND	0.0085	1	07/20/2023 17:46
1,1,1,2-Tetrachloroethane	ND	0.0085	1	07/20/2023 17:46
1,1,2,2-Tetrachloroethane	ND	0.0085	1	07/20/2023 17:46
Tetrachloroethene	ND	0.0085	1	07/20/2023 17:46
Toluene	ND	0.0085	1	07/20/2023 17:46
1,2,3-Trichlorobenzene	ND	0.0085	1	07/20/2023 17:46
1,2,4-Trichlorobenzene	ND	0.0085	1	07/20/2023 17:46
1,1,1-Trichloroethane	ND	0.0085	1	07/20/2023 17:46
1,1,2-Trichloroethane	ND	0.0085	1	07/20/2023 17:46
Trichloroethene	ND	0.0085	1	07/20/2023 17:46
Trichlorofluoromethane	ND	0.0085	1	07/20/2023 17:46
1,2,3-Trichloropropane	ND	0.00042	1	07/20/2023 17:46
1,2,4-Trimethylbenzene	ND	0.0085	1	07/20/2023 17:46
1,3,5-Trimethylbenzene	ND	0.0085	1	07/20/2023 17:46
Vinyl Chloride	ND	0.00042	1	07/20/2023 17:46
m,p-Xylene	ND	0.0085	1	07/20/2023 17:46
o-Xylene	ND	0.0085	1	07/20/2023 17:46
Xylenes, Total	ND	0.0085	1	07/20/2023 17:46

(Cont.)



Analytical Report

Client: Kleinfelder, Inc.
Date Received: 07/17/2023 18:00
Date Prepared: 07/17/2023
Project: 24001500.001A; Norris Creek

WorkOrder: 2307968
Extraction Method: SW5035
Analytical Method: SW8260B
Unit: mg/Kg

Volatile Organics [Encore Sampling]

Client ID	Lab ID	Matrix	Date Collected	Instrument	Batch ID
HA-4-1.0' (#4)	2307968-024A	Soil	07/17/2023 15:25	GC49 07202314.D	273862

Analytes	Result	RL	DF	Date Analyzed
<u>Surrogates</u>	<u>REC (%)</u>		<u>Limits</u>	
Dibromofluoromethane	101		70-140	07/20/2023 17:46
Toluene-d8	97		70-140	07/20/2023 17:46
4-BFB	109		70-140	07/20/2023 17:46
Benzene-d6	116		50-140	07/20/2023 17:46
Ethylbenzene-d10	98		50-140	07/20/2023 17:46
1,2-DCB-d4	87		40-140	07/20/2023 17:46

Analyst(s): ALU

Analytical Comments: a9



Analytical Report

Client: Kleinfelder, Inc.
Date Received: 07/17/2023 18:00
Date Prepared: 07/17/2023
Project: 24001500.001A; Norris Creek

WorkOrder: 2307968
Extraction Method: SW5035
Analytical Method: SW8260B
Unit: mg/Kg

Volatile Organics [Encore Sampling]

Client ID	Lab ID	Matrix	Date Collected	Instrument	Batch ID
HA-5-0.5' (#5)	2307968-025A	Soil	07/17/2023 15:55	GC49 07202315.D	273862

Analytes	Result	RL	DF	Date Analyzed
Acetone	ND	0.50	1	07/20/2023 18:31
tert-Amyl methyl ether (TAME)	ND	0.012	1	07/20/2023 18:31
Benzene	ND	0.012	1	07/20/2023 18:31
Bromobenzene	ND	0.012	1	07/20/2023 18:31
Bromochloromethane	ND	0.012	1	07/20/2023 18:31
Bromodichloromethane	ND	0.0025	1	07/20/2023 18:31
Bromoform	ND	0.012	1	07/20/2023 18:31
Bromomethane	ND	0.012	1	07/20/2023 18:31
2-Butanone (MEK)	ND	0.12	1	07/20/2023 18:31
t-Butyl alcohol (TBA)	ND	0.12	1	07/20/2023 18:31
n-Butyl benzene	ND	0.012	1	07/20/2023 18:31
sec-Butyl benzene	ND	0.012	1	07/20/2023 18:31
tert-Butyl benzene	ND	0.012	1	07/20/2023 18:31
Carbon Disulfide	ND	0.012	1	07/20/2023 18:31
Carbon Tetrachloride	ND	0.012	1	07/20/2023 18:31
Chlorobenzene	ND	0.012	1	07/20/2023 18:31
Chloroethane	ND	0.012	1	07/20/2023 18:31
Chloroform	ND	0.012	1	07/20/2023 18:31
Chloromethane	ND	0.012	1	07/20/2023 18:31
2-Chlorotoluene	ND	0.012	1	07/20/2023 18:31
4-Chlorotoluene	ND	0.012	1	07/20/2023 18:31
Dibromochloromethane	ND	0.012	1	07/20/2023 18:31
1,2-Dibromo-3-chloropropane	ND	0.0012	1	07/20/2023 18:31
1,2-Dibromoethane (EDB)	ND	0.00062	1	07/20/2023 18:31
Dibromomethane	ND	0.012	1	07/20/2023 18:31
1,2-Dichlorobenzene	ND	0.012	1	07/20/2023 18:31
1,3-Dichlorobenzene	ND	0.012	1	07/20/2023 18:31
1,4-Dichlorobenzene	ND	0.012	1	07/20/2023 18:31
Dichlorodifluoromethane	ND	0.012	1	07/20/2023 18:31
1,1-Dichloroethane	ND	0.012	1	07/20/2023 18:31
1,2-Dichloroethane (1,2-DCA)	ND	0.00062	1	07/20/2023 18:31
1,1-Dichloroethene	ND	0.012	1	07/20/2023 18:31
cis-1,2-Dichloroethene	ND	0.012	1	07/20/2023 18:31
trans-1,2-Dichloroethene	ND	0.012	1	07/20/2023 18:31
1,2-Dichloropropane	ND	0.012	1	07/20/2023 18:31
1,3-Dichloropropane	ND	0.012	1	07/20/2023 18:31
2,2-Dichloropropane	ND	0.012	1	07/20/2023 18:31

(Cont.)



Analytical Report

Client: Kleinfelder, Inc.
Date Received: 07/17/2023 18:00
Date Prepared: 07/17/2023
Project: 24001500.001A; Norris Creek

WorkOrder: 2307968
Extraction Method: SW5035
Analytical Method: SW8260B
Unit: mg/Kg

Volatile Organics [Encore Sampling]

Client ID	Lab ID	Matrix	Date Collected	Instrument	Batch ID
HA-5-0.5' (#5)	2307968-025A	Soil	07/17/2023 15:55	GC49 07202315.D	273862

Analytes	Result	RL	DF	Date Analyzed
1,1-Dichloropropene	ND	0.012	1	07/20/2023 18:31
cis-1,3-Dichloropropene	ND	0.012	1	07/20/2023 18:31
trans-1,3-Dichloropropene	ND	0.012	1	07/20/2023 18:31
Diisopropyl ether (DIPE)	ND	0.012	1	07/20/2023 18:31
Ethylbenzene	ND	0.012	1	07/20/2023 18:31
Ethyl tert-butyl ether (ETBE)	ND	0.012	1	07/20/2023 18:31
Freon 113	ND	0.012	1	07/20/2023 18:31
Hexachlorobutadiene	ND	0.012	1	07/20/2023 18:31
Hexachloroethane	ND	0.012	1	07/20/2023 18:31
2-Hexanone	ND	0.012	1	07/20/2023 18:31
Isopropylbenzene	ND	0.012	1	07/20/2023 18:31
4-Isopropyl toluene	0.055	0.012	1	07/20/2023 18:31
Methyl-t-butyl ether (MTBE)	ND	0.012	1	07/20/2023 18:31
Methylene chloride	ND	0.050	1	07/20/2023 18:31
4-Methyl-2-pentanone (MIBK)	ND	0.012	1	07/20/2023 18:31
Naphthalene	ND	0.012	1	07/20/2023 18:31
n-Propyl benzene	ND	0.012	1	07/20/2023 18:31
Styrene	ND	0.012	1	07/20/2023 18:31
1,1,1,2-Tetrachloroethane	ND	0.012	1	07/20/2023 18:31
1,1,2,2-Tetrachloroethane	ND	0.012	1	07/20/2023 18:31
Tetrachloroethene	ND	0.012	1	07/20/2023 18:31
Toluene	ND	0.012	1	07/20/2023 18:31
1,2,3-Trichlorobenzene	ND	0.012	1	07/20/2023 18:31
1,2,4-Trichlorobenzene	ND	0.012	1	07/20/2023 18:31
1,1,1-Trichloroethane	ND	0.012	1	07/20/2023 18:31
1,1,2-Trichloroethane	ND	0.012	1	07/20/2023 18:31
Trichloroethene	ND	0.012	1	07/20/2023 18:31
Trichlorofluoromethane	ND	0.012	1	07/20/2023 18:31
1,2,3-Trichloropropane	ND	0.00062	1	07/20/2023 18:31
1,2,4-Trimethylbenzene	ND	0.012	1	07/20/2023 18:31
1,3,5-Trimethylbenzene	ND	0.012	1	07/20/2023 18:31
Vinyl Chloride	ND	0.00062	1	07/20/2023 18:31
m,p-Xylene	ND	0.012	1	07/20/2023 18:31
o-Xylene	ND	0.012	1	07/20/2023 18:31
Xylenes, Total	ND	0.012	1	07/20/2023 18:31

(Cont.)



Analytical Report

Client: Kleinfelder, Inc.
Date Received: 07/17/2023 18:00
Date Prepared: 07/17/2023
Project: 24001500.001A; Norris Creek

WorkOrder: 2307968
Extraction Method: SW5035
Analytical Method: SW8260B
Unit: mg/Kg

Volatile Organics [Encore Sampling]

Client ID	Lab ID	Matrix	Date Collected	Instrument	Batch ID
HA-5-0.5' (#5)	2307968-025A	Soil	07/17/2023 15:55	GC49 07202315.D	273862

Analytes	Result	RL	DF	Date Analyzed
<u>Surrogates</u>	<u>REC (%)</u>	<u>Limits</u>		
Dibromofluoromethane	103	70-140		07/20/2023 18:31
Toluene-d8	97	70-140		07/20/2023 18:31
4-BFB	112	70-140		07/20/2023 18:31
Benzene-d6	79	50-140		07/20/2023 18:31
Ethylbenzene-d10	84	50-140		07/20/2023 18:31
1,2-DCB-d4	76	40-140		07/20/2023 18:31

Analyst(s): ALU

Analytical Comments: a9



Analytical Report

Client: Kleinfelder, Inc.
Date Received: 07/17/2023 18:00
Date Prepared: 07/19/2023
Project: 24001500.001A; Norris Creek

WorkOrder: 2307968
Extraction Method: SW3550B
Analytical Method: SW8270C
Unit: mg/Kg

Semi-Volatile Organics

Client ID	Lab ID	Matrix	Date Collected	Instrument	Batch ID
HA-1-0.5,1.5,2.5,3.5'	2307968-001A	Soil	07/17/2023 12:35	GC47 07192309.D	274000

Analytes	Result	RL	DF	Date Analyzed
Acenaphthene	ND	0.0065	5	07/19/2023 13:22
Acenaphthylene	ND	0.0065	5	07/19/2023 13:22
Acetochlor	ND	1.2	5	07/19/2023 13:22
Anthracene	ND	0.0065	5	07/19/2023 13:22
Benzidine	ND	6.2	5	07/19/2023 13:22
Benzo (a) anthracene	ND	0.062	5	07/19/2023 13:22
Benzo (a) pyrene	ND	0.0065	5	07/19/2023 13:22
Benzo (b) fluoranthene	ND	0.012	5	07/19/2023 13:22
Benzo (g,h,i) perylene	ND	0.012	5	07/19/2023 13:22
Benzo (k) fluoranthene	ND	0.012	5	07/19/2023 13:22
Benzyl Alcohol	ND	6.2	5	07/19/2023 13:22
1,1-Biphenyl	ND	0.062	5	07/19/2023 13:22
Bis (2-chloroethoxy) Methane	ND	1.2	5	07/19/2023 13:22
Bis (2-chloroethyl) Ether	ND	0.0065	5	07/19/2023 13:22
Bis (2-chloroisopropyl) Ether	ND	0.012	5	07/19/2023 13:22
Bis (2-ethylhexyl) Adipate	ND	1.2	5	07/19/2023 13:22
Bis (2-ethylhexyl) Phthalate	ND	0.31	5	07/19/2023 13:22
4-Bromophenyl Phenyl Ether	ND	1.2	5	07/19/2023 13:22
Butylbenzyl Phthalate	ND	0.31	5	07/19/2023 13:22
4-Chloroaniline	ND	0.0065	5	07/19/2023 13:22
4-Chloro-3-methylphenol	ND	1.2	5	07/19/2023 13:22
2-Chloronaphthalene	ND	1.2	5	07/19/2023 13:22
2-Chlorophenol	ND	0.062	5	07/19/2023 13:22
4-Chlorophenyl Phenyl Ether	ND	1.2	5	07/19/2023 13:22
Chrysene	ND	0.0065	5	07/19/2023 13:22
Dibenzo (a,h) anthracene	ND	0.012	5	07/19/2023 13:22
Dibenzofuran	ND	0.0065	5	07/19/2023 13:22
Di-n-butyl Phthalate	ND	0.31	5	07/19/2023 13:22
1,2-Dichlorobenzene	ND	1.2	5	07/19/2023 13:22
1,3-Dichlorobenzene	ND	1.2	5	07/19/2023 13:22
1,4-Dichlorobenzene	ND	1.2	5	07/19/2023 13:22
3,3-Dichlorobenzidine	ND	0.0065	5	07/19/2023 13:22
2,4-Dichlorophenol	ND	0.012	5	07/19/2023 13:22
Diethyl Phthalate	ND	0.062	5	07/19/2023 13:22
2,4-Dimethylphenol	ND	1.2	5	07/19/2023 13:22
Dimethyl Phthalate	ND	0.012	5	07/19/2023 13:22
4,6-Dinitro-2-methylphenol	ND	6.2	5	07/19/2023 13:22

(Cont.)



Analytical Report

Client: Kleinfelder, Inc.
Date Received: 07/17/2023 18:00
Date Prepared: 07/19/2023
Project: 24001500.001A; Norris Creek

WorkOrder: 2307968
Extraction Method: SW3550B
Analytical Method: SW8270C
Unit: mg/Kg

Semi-Volatile Organics

Client ID	Lab ID	Matrix	Date Collected	Instrument	Batch ID
HA-1-0.5,1.5,2.5,3.5'	2307968-001A	Soil	07/17/2023 12:35	GC47 07192309.D	274000

Analytes	Result	RL	DF	Date Analyzed
2,4-Dinitrophenol	ND	1.2	5	07/19/2023 13:22
2,4-Dinitrotoluene	ND	0.062	5	07/19/2023 13:22
2,6-Dinitrotoluene	ND	0.062	5	07/19/2023 13:22
Di-n-octyl Phthalate	ND	3.1	5	07/19/2023 13:22
1,2-Diphenylhydrazine	ND	1.2	5	07/19/2023 13:22
Fluoranthene	ND	0.012	5	07/19/2023 13:22
Fluorene	ND	0.012	5	07/19/2023 13:22
Hexachlorobenzene	ND	0.0065	5	07/19/2023 13:22
Hexachlorobutadiene	ND	0.0065	5	07/19/2023 13:22
Hexachlorocyclopentadiene	ND	6.2	5	07/19/2023 13:22
Hexachloroethane	ND	0.012	5	07/19/2023 13:22
Indeno (1,2,3-cd) pyrene	ND	0.012	5	07/19/2023 13:22
Isophorone	ND	1.2	5	07/19/2023 13:22
1-Methylnaphthalene	ND	0.0065	5	07/19/2023 13:22
2-Methylnaphthalene	ND	0.0065	5	07/19/2023 13:22
2-Methylphenol (o-Cresol)	ND	1.2	5	07/19/2023 13:22
3 & 4-Methylphenol (m,p-Cresol)	ND	1.2	5	07/19/2023 13:22
Naphthalene	ND	0.012	5	07/19/2023 13:22
2-Nitroaniline	ND	6.2	5	07/19/2023 13:22
3-Nitroaniline	ND	6.2	5	07/19/2023 13:22
4-Nitroaniline	ND	6.2	5	07/19/2023 13:22
Nitrobenzene	ND	1.2	5	07/19/2023 13:22
2-Nitrophenol	ND	6.2	5	07/19/2023 13:22
4-Nitrophenol	ND	6.2	5	07/19/2023 13:22
N-Nitrosodiphenylamine	ND	1.2	5	07/19/2023 13:22
N-Nitrosodi-n-propylamine	ND	1.2	5	07/19/2023 13:22
Pentachlorophenol	ND	0.31	5	07/19/2023 13:22
Phenanthrene	ND	0.0065	5	07/19/2023 13:22
Phenol	ND	0.050	5	07/19/2023 13:22
Pyrene	ND	0.0065	5	07/19/2023 13:22
Pyridine	ND	1.2	5	07/19/2023 13:22
2,3,4,6-Tetrachlorophenol	ND	1.2	5	07/19/2023 13:22
1,2,4-Trichlorobenzene	ND	1.2	5	07/19/2023 13:22
2,4,5-Trichlorophenol	ND	0.012	5	07/19/2023 13:22
2,4,6-Trichlorophenol	ND	0.012	5	07/19/2023 13:22

(Cont.)



Analytical Report

Client: Kleinfelder, Inc.
Date Received: 07/17/2023 18:00
Date Prepared: 07/19/2023
Project: 24001500.001A; Norris Creek

WorkOrder: 2307968
Extraction Method: SW3550B
Analytical Method: SW8270C
Unit: mg/Kg

Semi-Volatile Organics

Client ID	Lab ID	Matrix	Date Collected	Instrument	Batch ID
HA-1-0.5,1.5,2.5,3.5'	2307968-001A	Soil	07/17/2023 12:35	GC47 07192309.D	274000

Analytes	Result	RL	DF	Date Analyzed
<u>Surrogates</u>	<u>REC (%)</u>	<u>Qualifiers</u>	<u>Limits</u>	
2-Fluorophenol	62		60-130	07/19/2023 13:22
Phenol-d5	51		50-130	07/19/2023 13:22
Nitrobenzene-d5	56	S	60-130	07/19/2023 13:22
2-Fluorobiphenyl	63		60-130	07/19/2023 13:22
2,4,6-Tribromophenol	40	S	50-130	07/19/2023 13:22
4-Terphenyl-d14	59		50-130	07/19/2023 13:22

Analyst(s): MV

Analytical Comments: a3,c1



Analytical Report

Client: Kleinfelder, Inc.
Date Received: 07/17/2023 18:00
Date Prepared: 07/19/2023
Project: 24001500.001A; Norris Creek

WorkOrder: 2307968
Extraction Method: SW3550B
Analytical Method: SW8270C
Unit: mg/Kg

Semi-Volatile Organics

Client ID	Lab ID	Matrix	Date Collected	Instrument	Batch ID
HA-2-0.5,1.5,2.5,3.5'	2307968-002A	Soil	07/17/2023 13:45	GC47 07192311.D	274000

Analytes	Result	RL	DF	Date Analyzed
Acenaphthene	ND	0.0065	5	07/19/2023 14:17
Acenaphthylene	ND	0.0065	5	07/19/2023 14:17
Acetochlor	ND	1.2	5	07/19/2023 14:17
Anthracene	ND	0.0065	5	07/19/2023 14:17
Benzidine	ND	6.2	5	07/19/2023 14:17
Benzo (a) anthracene	ND	0.062	5	07/19/2023 14:17
Benzo (a) pyrene	ND	0.0065	5	07/19/2023 14:17
Benzo (b) fluoranthene	ND	0.012	5	07/19/2023 14:17
Benzo (g,h,i) perylene	ND	0.012	5	07/19/2023 14:17
Benzo (k) fluoranthene	ND	0.012	5	07/19/2023 14:17
Benzyl Alcohol	ND	6.2	5	07/19/2023 14:17
1,1-Biphenyl	ND	0.062	5	07/19/2023 14:17
Bis (2-chloroethoxy) Methane	ND	1.2	5	07/19/2023 14:17
Bis (2-chloroethyl) Ether	ND	0.0065	5	07/19/2023 14:17
Bis (2-chloroisopropyl) Ether	ND	0.012	5	07/19/2023 14:17
Bis (2-ethylhexyl) Adipate	ND	1.2	5	07/19/2023 14:17
Bis (2-ethylhexyl) Phthalate	ND	0.31	5	07/19/2023 14:17
4-Bromophenyl Phenyl Ether	ND	1.2	5	07/19/2023 14:17
Butylbenzyl Phthalate	ND	0.31	5	07/19/2023 14:17
4-Chloroaniline	ND	0.0065	5	07/19/2023 14:17
4-Chloro-3-methylphenol	ND	1.2	5	07/19/2023 14:17
2-Chloronaphthalene	ND	1.2	5	07/19/2023 14:17
2-Chlorophenol	ND	0.062	5	07/19/2023 14:17
4-Chlorophenyl Phenyl Ether	ND	1.2	5	07/19/2023 14:17
Chrysene	ND	0.0065	5	07/19/2023 14:17
Dibenzo (a,h) anthracene	ND	0.012	5	07/19/2023 14:17
Dibenzofuran	ND	0.0065	5	07/19/2023 14:17
Di-n-butyl Phthalate	ND	0.31	5	07/19/2023 14:17
1,2-Dichlorobenzene	ND	1.2	5	07/19/2023 14:17
1,3-Dichlorobenzene	ND	1.2	5	07/19/2023 14:17
1,4-Dichlorobenzene	ND	1.2	5	07/19/2023 14:17
3,3-Dichlorobenzidine	ND	0.0065	5	07/19/2023 14:17
2,4-Dichlorophenol	ND	0.012	5	07/19/2023 14:17
Diethyl Phthalate	ND	0.062	5	07/19/2023 14:17
2,4-Dimethylphenol	ND	1.2	5	07/19/2023 14:17
Dimethyl Phthalate	ND	0.012	5	07/19/2023 14:17
4,6-Dinitro-2-methylphenol	ND	6.2	5	07/19/2023 14:17

(Cont.)



Analytical Report

Client: Kleinfelder, Inc.
Date Received: 07/17/2023 18:00
Date Prepared: 07/19/2023
Project: 24001500.001A; Norris Creek

WorkOrder: 2307968
Extraction Method: SW3550B
Analytical Method: SW8270C
Unit: mg/Kg

Semi-Volatile Organics

Client ID	Lab ID	Matrix	Date Collected	Instrument	Batch ID
HA-2-0.5,1.5,2.5,3.5'	2307968-002A	Soil	07/17/2023 13:45	GC47 07192311.D	274000

Analytes	Result	RL	DF	Date Analyzed
2,4-Dinitrophenol	ND	1.2	5	07/19/2023 14:17
2,4-Dinitrotoluene	ND	0.062	5	07/19/2023 14:17
2,6-Dinitrotoluene	ND	0.062	5	07/19/2023 14:17
Di-n-octyl Phthalate	ND	3.1	5	07/19/2023 14:17
1,2-Diphenylhydrazine	ND	1.2	5	07/19/2023 14:17
Fluoranthene	ND	0.012	5	07/19/2023 14:17
Fluorene	ND	0.012	5	07/19/2023 14:17
Hexachlorobenzene	ND	0.0065	5	07/19/2023 14:17
Hexachlorobutadiene	ND	0.0065	5	07/19/2023 14:17
Hexachlorocyclopentadiene	ND	6.2	5	07/19/2023 14:17
Hexachloroethane	ND	0.012	5	07/19/2023 14:17
Indeno (1,2,3-cd) pyrene	ND	0.012	5	07/19/2023 14:17
Isophorone	ND	1.2	5	07/19/2023 14:17
1-Methylnaphthalene	ND	0.0065	5	07/19/2023 14:17
2-Methylnaphthalene	ND	0.0065	5	07/19/2023 14:17
2-Methylphenol (o-Cresol)	ND	1.2	5	07/19/2023 14:17
3 & 4-Methylphenol (m,p-Cresol)	ND	1.2	5	07/19/2023 14:17
Naphthalene	ND	0.012	5	07/19/2023 14:17
2-Nitroaniline	ND	6.2	5	07/19/2023 14:17
3-Nitroaniline	ND	6.2	5	07/19/2023 14:17
4-Nitroaniline	ND	6.2	5	07/19/2023 14:17
Nitrobenzene	ND	1.2	5	07/19/2023 14:17
2-Nitrophenol	ND	6.2	5	07/19/2023 14:17
4-Nitrophenol	ND	6.2	5	07/19/2023 14:17
N-Nitrosodiphenylamine	ND	1.2	5	07/19/2023 14:17
N-Nitrosodi-n-propylamine	ND	1.2	5	07/19/2023 14:17
Pentachlorophenol	ND	0.31	5	07/19/2023 14:17
Phenanthrene	ND	0.0065	5	07/19/2023 14:17
Phenol	ND	0.050	5	07/19/2023 14:17
Pyrene	ND	0.0065	5	07/19/2023 14:17
Pyridine	ND	1.2	5	07/19/2023 14:17
2,3,4,6-Tetrachlorophenol	ND	1.2	5	07/19/2023 14:17
1,2,4-Trichlorobenzene	ND	1.2	5	07/19/2023 14:17
2,4,5-Trichlorophenol	ND	0.012	5	07/19/2023 14:17
2,4,6-Trichlorophenol	ND	0.012	5	07/19/2023 14:17

(Cont.)



Analytical Report

Client: Kleinfelder, Inc.
Date Received: 07/17/2023 18:00
Date Prepared: 07/19/2023
Project: 24001500.001A; Norris Creek

WorkOrder: 2307968
Extraction Method: SW3550B
Analytical Method: SW8270C
Unit: mg/Kg

Semi-Volatile Organics

Client ID	Lab ID	Matrix	Date Collected	Instrument	Batch ID
HA-2-0.5,1.5,2.5,3.5'	2307968-002A	Soil	07/17/2023 13:45	GC47 07192311.D	274000

Analytes	Result	RL	DF	Date Analyzed
----------	--------	----	----	---------------

Surrogates	REC (%)	Limits	Date Analyzed
2-Fluorophenol	80	60-130	07/19/2023 14:17
Phenol-d5	66	50-130	07/19/2023 14:17
Nitrobenzene-d5	72	60-130	07/19/2023 14:17
2-Fluorobiphenyl	80	60-130	07/19/2023 14:17
2,4,6-Tribromophenol	51	50-130	07/19/2023 14:17
4-Terphenyl-d14	77	50-130	07/19/2023 14:17

Analyst(s): MV

Analytical Comments: a3



Analytical Report

Client: Kleinfelder, Inc.
Date Received: 07/17/2023 18:00
Date Prepared: 07/19/2023
Project: 24001500.001A; Norris Creek

WorkOrder: 2307968
Extraction Method: SW3550B
Analytical Method: SW8270C
Unit: mg/Kg

Semi-Volatile Organics

Client ID	Lab ID	Matrix	Date Collected	Instrument	Batch ID
HA-3-0.5,1.0,2.0,2.5'	2307968-003A	Soil	07/17/2023 14:30	GC47 07192312.D	274000

Analytes	Result	RL	DF	Date Analyzed
Acenaphthene	ND	0.0065	5	07/19/2023 14:44
Acenaphthylene	ND	0.0065	5	07/19/2023 14:44
Acetochlor	ND	1.2	5	07/19/2023 14:44
Anthracene	ND	0.0065	5	07/19/2023 14:44
Benzidine	ND	6.2	5	07/19/2023 14:44
Benzo (a) anthracene	ND	0.062	5	07/19/2023 14:44
Benzo (a) pyrene	ND	0.0065	5	07/19/2023 14:44
Benzo (b) fluoranthene	ND	0.012	5	07/19/2023 14:44
Benzo (g,h,i) perylene	ND	0.012	5	07/19/2023 14:44
Benzo (k) fluoranthene	ND	0.012	5	07/19/2023 14:44
Benzyl Alcohol	ND	6.2	5	07/19/2023 14:44
1,1-Biphenyl	ND	0.062	5	07/19/2023 14:44
Bis (2-chloroethoxy) Methane	ND	1.2	5	07/19/2023 14:44
Bis (2-chloroethyl) Ether	ND	0.0065	5	07/19/2023 14:44
Bis (2-chloroisopropyl) Ether	ND	0.012	5	07/19/2023 14:44
Bis (2-ethylhexyl) Adipate	ND	1.2	5	07/19/2023 14:44
Bis (2-ethylhexyl) Phthalate	ND	0.31	5	07/19/2023 14:44
4-Bromophenyl Phenyl Ether	ND	1.2	5	07/19/2023 14:44
Butylbenzyl Phthalate	ND	0.31	5	07/19/2023 14:44
4-Chloroaniline	ND	0.0065	5	07/19/2023 14:44
4-Chloro-3-methylphenol	ND	1.2	5	07/19/2023 14:44
2-Chloronaphthalene	ND	1.2	5	07/19/2023 14:44
2-Chlorophenol	ND	0.062	5	07/19/2023 14:44
4-Chlorophenyl Phenyl Ether	ND	1.2	5	07/19/2023 14:44
Chrysene	ND	0.0065	5	07/19/2023 14:44
Dibenzo (a,h) anthracene	ND	0.012	5	07/19/2023 14:44
Dibenzofuran	ND	0.0065	5	07/19/2023 14:44
Di-n-butyl Phthalate	ND	0.31	5	07/19/2023 14:44
1,2-Dichlorobenzene	ND	1.2	5	07/19/2023 14:44
1,3-Dichlorobenzene	ND	1.2	5	07/19/2023 14:44
1,4-Dichlorobenzene	ND	1.2	5	07/19/2023 14:44
3,3-Dichlorobenzidine	ND	0.0065	5	07/19/2023 14:44
2,4-Dichlorophenol	ND	0.012	5	07/19/2023 14:44
Diethyl Phthalate	ND	0.062	5	07/19/2023 14:44
2,4-Dimethylphenol	ND	1.2	5	07/19/2023 14:44
Dimethyl Phthalate	ND	0.012	5	07/19/2023 14:44
4,6-Dinitro-2-methylphenol	ND	6.2	5	07/19/2023 14:44

(Cont.)



Analytical Report

Client: Kleinfelder, Inc.
Date Received: 07/17/2023 18:00
Date Prepared: 07/19/2023
Project: 24001500.001A; Norris Creek

WorkOrder: 2307968
Extraction Method: SW3550B
Analytical Method: SW8270C
Unit: mg/Kg

Semi-Volatile Organics

Client ID	Lab ID	Matrix	Date Collected	Instrument	Batch ID
HA-3-0.5,1.0,2.0,2.5'	2307968-003A	Soil	07/17/2023 14:30	GC47 07192312.D	274000

Analytes	Result	RL	DF	Date Analyzed
2,4-Dinitrophenol	ND	1.2	5	07/19/2023 14:44
2,4-Dinitrotoluene	ND	0.062	5	07/19/2023 14:44
2,6-Dinitrotoluene	ND	0.062	5	07/19/2023 14:44
Di-n-octyl Phthalate	ND	3.1	5	07/19/2023 14:44
1,2-Diphenylhydrazine	ND	1.2	5	07/19/2023 14:44
Fluoranthene	ND	0.012	5	07/19/2023 14:44
Fluorene	ND	0.012	5	07/19/2023 14:44
Hexachlorobenzene	ND	0.0065	5	07/19/2023 14:44
Hexachlorobutadiene	ND	0.0065	5	07/19/2023 14:44
Hexachlorocyclopentadiene	ND	6.2	5	07/19/2023 14:44
Hexachloroethane	ND	0.012	5	07/19/2023 14:44
Indeno (1,2,3-cd) pyrene	ND	0.012	5	07/19/2023 14:44
Isophorone	ND	1.2	5	07/19/2023 14:44
1-Methylnaphthalene	ND	0.0065	5	07/19/2023 14:44
2-Methylnaphthalene	ND	0.0065	5	07/19/2023 14:44
2-Methylphenol (o-Cresol)	ND	1.2	5	07/19/2023 14:44
3 & 4-Methylphenol (m,p-Cresol)	ND	1.2	5	07/19/2023 14:44
Naphthalene	ND	0.012	5	07/19/2023 14:44
2-Nitroaniline	ND	6.2	5	07/19/2023 14:44
3-Nitroaniline	ND	6.2	5	07/19/2023 14:44
4-Nitroaniline	ND	6.2	5	07/19/2023 14:44
Nitrobenzene	ND	1.2	5	07/19/2023 14:44
2-Nitrophenol	ND	6.2	5	07/19/2023 14:44
4-Nitrophenol	ND	6.2	5	07/19/2023 14:44
N-Nitrosodiphenylamine	ND	1.2	5	07/19/2023 14:44
N-Nitrosodi-n-propylamine	ND	1.2	5	07/19/2023 14:44
Pentachlorophenol	ND	0.31	5	07/19/2023 14:44
Phenanthrene	ND	0.0065	5	07/19/2023 14:44
Phenol	ND	0.050	5	07/19/2023 14:44
Pyrene	ND	0.0065	5	07/19/2023 14:44
Pyridine	ND	1.2	5	07/19/2023 14:44
2,3,4,6-Tetrachlorophenol	ND	1.2	5	07/19/2023 14:44
1,2,4-Trichlorobenzene	ND	1.2	5	07/19/2023 14:44
2,4,5-Trichlorophenol	ND	0.012	5	07/19/2023 14:44
2,4,6-Trichlorophenol	ND	0.012	5	07/19/2023 14:44

(Cont.)



Analytical Report

Client: Kleinfelder, Inc.
Date Received: 07/17/2023 18:00
Date Prepared: 07/19/2023
Project: 24001500.001A; Norris Creek

WorkOrder: 2307968
Extraction Method: SW3550B
Analytical Method: SW8270C
Unit: mg/Kg

Semi-Volatile Organics

Client ID	Lab ID	Matrix	Date Collected	Instrument	Batch ID
HA-3-0.5,1.0,2.0,2.5'	2307968-003A	Soil	07/17/2023 14:30	GC47 07192312.D	274000

Analytes	Result	RL	DF	Date Analyzed
----------	--------	----	----	---------------

Surrogates	REC (%)	Qualifiers	Limits	Date Analyzed
2-Fluorophenol	66		60-130	07/19/2023 14:44
Phenol-d5	55		50-130	07/19/2023 14:44
Nitrobenzene-d5	58	S	60-130	07/19/2023 14:44
2-Fluorobiphenyl	63		60-130	07/19/2023 14:44
2,4,6-Tribromophenol	43	S	50-130	07/19/2023 14:44
4-Terphenyl-d14	58		50-130	07/19/2023 14:44

Analyst(s): MV

Analytical Comments: a3,c1



Analytical Report

Client: Kleinfelder, Inc.
Date Received: 07/17/2023 18:00
Date Prepared: 07/19/2023
Project: 24001500.001A; Norris Creek

WorkOrder: 2307968
Extraction Method: SW3550B
Analytical Method: SW8270C
Unit: mg/Kg

Semi-Volatile Organics

Client ID	Lab ID	Matrix	Date Collected	Instrument	Batch ID
HA-4-0.25,0.5,0.75,1.0'	2307968-004A	Soil	07/17/2023 15:20	GC47 07192313.D	274000

Analytes	Result	RL	DF	Date Analyzed
Acenaphthene	ND	0.0026	2	07/19/2023 15:11
Acenaphthylene	ND	0.0026	2	07/19/2023 15:11
Acetochlor	ND	0.50	2	07/19/2023 15:11
Anthracene	ND	0.0026	2	07/19/2023 15:11
Benzidine	ND	2.5	2	07/19/2023 15:11
Benzo (a) anthracene	ND	0.025	2	07/19/2023 15:11
Benzo (a) pyrene	ND	0.0026	2	07/19/2023 15:11
Benzo (b) fluoranthene	ND	0.0050	2	07/19/2023 15:11
Benzo (g,h,i) perylene	ND	0.0050	2	07/19/2023 15:11
Benzo (k) fluoranthene	ND	0.0050	2	07/19/2023 15:11
Benzyl Alcohol	ND	2.5	2	07/19/2023 15:11
1,1-Biphenyl	ND	0.025	2	07/19/2023 15:11
Bis (2-chloroethoxy) Methane	ND	0.50	2	07/19/2023 15:11
Bis (2-chloroethyl) Ether	ND	0.0026	2	07/19/2023 15:11
Bis (2-chloroisopropyl) Ether	ND	0.0050	2	07/19/2023 15:11
Bis (2-ethylhexyl) Adipate	ND	0.50	2	07/19/2023 15:11
Bis (2-ethylhexyl) Phthalate	ND	0.12	2	07/19/2023 15:11
4-Bromophenyl Phenyl Ether	ND	0.50	2	07/19/2023 15:11
Butylbenzyl Phthalate	ND	0.12	2	07/19/2023 15:11
4-Chloroaniline	ND	0.0026	2	07/19/2023 15:11
4-Chloro-3-methylphenol	ND	0.50	2	07/19/2023 15:11
2-Chloronaphthalene	ND	0.50	2	07/19/2023 15:11
2-Chlorophenol	ND	0.025	2	07/19/2023 15:11
4-Chlorophenyl Phenyl Ether	ND	0.50	2	07/19/2023 15:11
Chrysene	ND	0.0026	2	07/19/2023 15:11
Dibenzo (a,h) anthracene	ND	0.0050	2	07/19/2023 15:11
Dibenzofuran	ND	0.0026	2	07/19/2023 15:11
Di-n-butyl Phthalate	ND	0.12	2	07/19/2023 15:11
1,2-Dichlorobenzene	ND	0.50	2	07/19/2023 15:11
1,3-Dichlorobenzene	ND	0.50	2	07/19/2023 15:11
1,4-Dichlorobenzene	ND	0.50	2	07/19/2023 15:11
3,3-Dichlorobenzidine	ND	0.0026	2	07/19/2023 15:11
2,4-Dichlorophenol	ND	0.0050	2	07/19/2023 15:11
Diethyl Phthalate	ND	0.025	2	07/19/2023 15:11
2,4-Dimethylphenol	ND	0.50	2	07/19/2023 15:11
Dimethyl Phthalate	ND	0.0050	2	07/19/2023 15:11
4,6-Dinitro-2-methylphenol	ND	2.5	2	07/19/2023 15:11

(Cont.)



Analytical Report

Client: Kleinfelder, Inc.
Date Received: 07/17/2023 18:00
Date Prepared: 07/19/2023
Project: 24001500.001A; Norris Creek

WorkOrder: 2307968
Extraction Method: SW3550B
Analytical Method: SW8270C
Unit: mg/Kg

Semi-Volatile Organics

Client ID	Lab ID	Matrix	Date Collected	Instrument	Batch ID
HA-4-0.25,0.5,0.75,1.0'	2307968-004A	Soil	07/17/2023 15:20	GC47 07192313.D	274000

Analytes	Result	RL	DF	Date Analyzed
2,4-Dinitrophenol	ND	0.50	2	07/19/2023 15:11
2,4-Dinitrotoluene	ND	0.025	2	07/19/2023 15:11
2,6-Dinitrotoluene	ND	0.025	2	07/19/2023 15:11
Di-n-octyl Phthalate	ND	1.2	2	07/19/2023 15:11
1,2-Diphenylhydrazine	ND	0.50	2	07/19/2023 15:11
Fluoranthene	ND	0.0050	2	07/19/2023 15:11
Fluorene	ND	0.0050	2	07/19/2023 15:11
Hexachlorobenzene	ND	0.0026	2	07/19/2023 15:11
Hexachlorobutadiene	ND	0.0026	2	07/19/2023 15:11
Hexachlorocyclopentadiene	ND	2.5	2	07/19/2023 15:11
Hexachloroethane	ND	0.0050	2	07/19/2023 15:11
Indeno (1,2,3-cd) pyrene	ND	0.0050	2	07/19/2023 15:11
Isophorone	ND	0.50	2	07/19/2023 15:11
1-Methylnaphthalene	ND	0.0026	2	07/19/2023 15:11
2-Methylnaphthalene	ND	0.0026	2	07/19/2023 15:11
2-Methylphenol (o-Cresol)	ND	0.50	2	07/19/2023 15:11
3 & 4-Methylphenol (m,p-Cresol)	ND	0.50	2	07/19/2023 15:11
Naphthalene	ND	0.0050	2	07/19/2023 15:11
2-Nitroaniline	ND	2.5	2	07/19/2023 15:11
3-Nitroaniline	ND	2.5	2	07/19/2023 15:11
4-Nitroaniline	ND	2.5	2	07/19/2023 15:11
Nitrobenzene	ND	0.50	2	07/19/2023 15:11
2-Nitrophenol	ND	2.5	2	07/19/2023 15:11
4-Nitrophenol	ND	2.5	2	07/19/2023 15:11
N-Nitrosodiphenylamine	ND	0.50	2	07/19/2023 15:11
N-Nitrosodi-n-propylamine	ND	0.50	2	07/19/2023 15:11
Pentachlorophenol	ND	0.12	2	07/19/2023 15:11
Phenanthrene	ND	0.0026	2	07/19/2023 15:11
Phenol	ND	0.020	2	07/19/2023 15:11
Pyrene	ND	0.0026	2	07/19/2023 15:11
Pyridine	ND	0.50	2	07/19/2023 15:11
2,3,4,6-Tetrachlorophenol	ND	0.50	2	07/19/2023 15:11
1,2,4-Trichlorobenzene	ND	0.50	2	07/19/2023 15:11
2,4,5-Trichlorophenol	ND	0.0050	2	07/19/2023 15:11
2,4,6-Trichlorophenol	ND	0.0050	2	07/19/2023 15:11

(Cont.)



Analytical Report

Client: Kleinfelder, Inc.
Date Received: 07/17/2023 18:00
Date Prepared: 07/19/2023
Project: 24001500.001A; Norris Creek

WorkOrder: 2307968
Extraction Method: SW3550B
Analytical Method: SW8270C
Unit: mg/Kg

Semi-Volatile Organics

Client ID	Lab ID	Matrix	Date Collected	Instrument	Batch ID
HA-4-0.25,0.5,0.75,1.0'	2307968-004A	Soil	07/17/2023 15:20	GC47 07192313.D	274000

Analytes	Result	RL	DF	Date Analyzed
<u>Surrogates</u>	<u>REC (%)</u>	<u>Limits</u>		
2-Fluorophenol	87	60-130		07/19/2023 15:11
Phenol-d5	77	50-130		07/19/2023 15:11
Nitrobenzene-d5	76	60-130		07/19/2023 15:11
2-Fluorobiphenyl	77	60-130		07/19/2023 15:11
2,4,6-Tribromophenol	54	50-130		07/19/2023 15:11
4-Terphenyl-d14	75	50-130		07/19/2023 15:11

Analyst(s): MV

Analytical Comments: a3



Analytical Report

Client: Kleinfelder, Inc.
Date Received: 07/17/2023 18:00
Date Prepared: 07/19/2023
Project: 24001500.001A; Norris Creek

WorkOrder: 2307968
Extraction Method: SW3550B
Analytical Method: SW8270C
Unit: mg/Kg

Semi-Volatile Organics

Client ID	Lab ID	Matrix	Date Collected	Instrument	Batch ID
HA-5-0.1,0.25,0.4,0.5'	2307968-005A	Soil	07/17/2023 15:50	GC47 07192314.D	274000

Analytes	Result	RL	DF	Date Analyzed
Acenaphthene	ND	0.0026	2	07/19/2023 15:39
Acenaphthylene	ND	0.0026	2	07/19/2023 15:39
Acetochlor	ND	0.50	2	07/19/2023 15:39
Anthracene	ND	0.0026	2	07/19/2023 15:39
Benzidine	ND	2.5	2	07/19/2023 15:39
Benzo (a) anthracene	ND	0.025	2	07/19/2023 15:39
Benzo (a) pyrene	ND	0.0026	2	07/19/2023 15:39
Benzo (b) fluoranthene	ND	0.0050	2	07/19/2023 15:39
Benzo (g,h,i) perylene	ND	0.0050	2	07/19/2023 15:39
Benzo (k) fluoranthene	ND	0.0050	2	07/19/2023 15:39
Benzyl Alcohol	ND	2.5	2	07/19/2023 15:39
1,1-Biphenyl	ND	0.025	2	07/19/2023 15:39
Bis (2-chloroethoxy) Methane	ND	0.50	2	07/19/2023 15:39
Bis (2-chloroethyl) Ether	ND	0.0026	2	07/19/2023 15:39
Bis (2-chloroisopropyl) Ether	ND	0.0050	2	07/19/2023 15:39
Bis (2-ethylhexyl) Adipate	ND	0.50	2	07/19/2023 15:39
Bis (2-ethylhexyl) Phthalate	ND	0.12	2	07/19/2023 15:39
4-Bromophenyl Phenyl Ether	ND	0.50	2	07/19/2023 15:39
Butylbenzyl Phthalate	ND	0.12	2	07/19/2023 15:39
4-Chloroaniline	ND	0.0026	2	07/19/2023 15:39
4-Chloro-3-methylphenol	ND	0.50	2	07/19/2023 15:39
2-Chloronaphthalene	ND	0.50	2	07/19/2023 15:39
2-Chlorophenol	ND	0.025	2	07/19/2023 15:39
4-Chlorophenyl Phenyl Ether	ND	0.50	2	07/19/2023 15:39
Chrysene	ND	0.0026	2	07/19/2023 15:39
Dibenzo (a,h) anthracene	ND	0.0050	2	07/19/2023 15:39
Dibenzofuran	ND	0.0026	2	07/19/2023 15:39
Di-n-butyl Phthalate	ND	0.12	2	07/19/2023 15:39
1,2-Dichlorobenzene	ND	0.50	2	07/19/2023 15:39
1,3-Dichlorobenzene	ND	0.50	2	07/19/2023 15:39
1,4-Dichlorobenzene	ND	0.50	2	07/19/2023 15:39
3,3-Dichlorobenzidine	ND	0.0026	2	07/19/2023 15:39
2,4-Dichlorophenol	ND	0.0050	2	07/19/2023 15:39
Diethyl Phthalate	ND	0.025	2	07/19/2023 15:39
2,4-Dimethylphenol	ND	0.50	2	07/19/2023 15:39
Dimethyl Phthalate	ND	0.0050	2	07/19/2023 15:39
4,6-Dinitro-2-methylphenol	ND	2.5	2	07/19/2023 15:39

(Cont.)



Analytical Report

Client: Kleinfelder, Inc.
Date Received: 07/17/2023 18:00
Date Prepared: 07/19/2023
Project: 24001500.001A; Norris Creek

WorkOrder: 2307968
Extraction Method: SW3550B
Analytical Method: SW8270C
Unit: mg/Kg

Semi-Volatile Organics

Client ID	Lab ID	Matrix	Date Collected	Instrument	Batch ID
HA-5-0.1,0.25,0.4,0.5'	2307968-005A	Soil	07/17/2023 15:50	GC47 07192314.D	274000

Analytes	Result	RL	DF	Date Analyzed
2,4-Dinitrophenol	ND	0.50	2	07/19/2023 15:39
2,4-Dinitrotoluene	ND	0.025	2	07/19/2023 15:39
2,6-Dinitrotoluene	ND	0.025	2	07/19/2023 15:39
Di-n-octyl Phthalate	ND	1.2	2	07/19/2023 15:39
1,2-Diphenylhydrazine	ND	0.50	2	07/19/2023 15:39
Fluoranthene	ND	0.0050	2	07/19/2023 15:39
Fluorene	ND	0.0050	2	07/19/2023 15:39
Hexachlorobenzene	ND	0.0026	2	07/19/2023 15:39
Hexachlorobutadiene	ND	0.0026	2	07/19/2023 15:39
Hexachlorocyclopentadiene	ND	2.5	2	07/19/2023 15:39
Hexachloroethane	ND	0.0050	2	07/19/2023 15:39
Indeno (1,2,3-cd) pyrene	ND	0.0050	2	07/19/2023 15:39
Isophorone	ND	0.50	2	07/19/2023 15:39
1-Methylnaphthalene	ND	0.0026	2	07/19/2023 15:39
2-Methylnaphthalene	ND	0.0026	2	07/19/2023 15:39
2-Methylphenol (o-Cresol)	ND	0.50	2	07/19/2023 15:39
3 & 4-Methylphenol (m,p-Cresol)	ND	0.50	2	07/19/2023 15:39
Naphthalene	ND	0.0050	2	07/19/2023 15:39
2-Nitroaniline	ND	2.5	2	07/19/2023 15:39
3-Nitroaniline	ND	2.5	2	07/19/2023 15:39
4-Nitroaniline	ND	2.5	2	07/19/2023 15:39
Nitrobenzene	ND	0.50	2	07/19/2023 15:39
2-Nitrophenol	ND	2.5	2	07/19/2023 15:39
4-Nitrophenol	ND	2.5	2	07/19/2023 15:39
N-Nitrosodiphenylamine	ND	0.50	2	07/19/2023 15:39
N-Nitrosodi-n-propylamine	ND	0.50	2	07/19/2023 15:39
Pentachlorophenol	ND	0.12	2	07/19/2023 15:39
Phenanthrene	ND	0.0026	2	07/19/2023 15:39
Phenol	ND	0.020	2	07/19/2023 15:39
Pyrene	ND	0.0026	2	07/19/2023 15:39
Pyridine	ND	0.50	2	07/19/2023 15:39
2,3,4,6-Tetrachlorophenol	ND	0.50	2	07/19/2023 15:39
1,2,4-Trichlorobenzene	ND	0.50	2	07/19/2023 15:39
2,4,5-Trichlorophenol	ND	0.0050	2	07/19/2023 15:39
2,4,6-Trichlorophenol	ND	0.0050	2	07/19/2023 15:39

(Cont.)



Analytical Report

Client: Kleinfelder, Inc.
Date Received: 07/17/2023 18:00
Date Prepared: 07/19/2023
Project: 24001500.001A; Norris Creek

WorkOrder: 2307968
Extraction Method: SW3550B
Analytical Method: SW8270C
Unit: mg/Kg

Semi-Volatile Organics

Client ID	Lab ID	Matrix	Date Collected	Instrument	Batch ID
HA-5-0.1,0.25,0.4,0.5'	2307968-005A	Soil	07/17/2023 15:50	GC47 07192314.D	274000

Analytes	Result	RL	DF	Date Analyzed
<u>Surrogates</u>	<u>REC (%)</u>		<u>Limits</u>	
2-Fluorophenol	88		60-130	07/19/2023 15:39
Phenol-d5	76		50-130	07/19/2023 15:39
Nitrobenzene-d5	84		60-130	07/19/2023 15:39
2-Fluorobiphenyl	84		60-130	07/19/2023 15:39
2,4,6-Tribromophenol	67		50-130	07/19/2023 15:39
4-Terphenyl-d14	77		50-130	07/19/2023 15:39

Analyst(s): MV

Analytical Comments: a3



Analytical Report

Client: Kleinfelder, Inc.
Date Received: 07/17/2023 18:00
Date Prepared: 07/19/2023
Project: 24001500.001A; Norris Creek

WorkOrder: 2307968
Extraction Method: SW3050B
Analytical Method: SW6020
Unit: mg/Kg

Metals

Client ID	Lab ID	Matrix	Date Collected	Instrument	Batch ID
HA-1-0.5,1.5,2.5,3.5'	2307968-001B	Soil	07/17/2023 12:35	ICP-MS6 1140SMPL.d	273962

Analytes	Result	RL	DF	Date Analyzed
Antimony	ND	0.50	1	07/19/2023 21:59
Arsenic	3.5	0.50	1	07/19/2023 21:59
Barium	110	5.0	1	07/19/2023 21:59
Beryllium	ND	0.50	1	07/19/2023 21:59
Cadmium	ND	0.50	1	07/19/2023 21:59
Chromium	50	0.50	1	07/19/2023 21:59
Cobalt	13	0.50	1	07/19/2023 21:59
Copper	19	0.50	1	07/19/2023 21:59
Lead	6.8	0.50	1	07/19/2023 21:59
Molybdenum	ND	0.50	1	07/19/2023 21:59
Nickel	62	0.50	1	07/19/2023 21:59
Selenium	ND	0.50	1	07/19/2023 21:59
Silver	ND	0.50	1	07/19/2023 21:59
Thallium	ND	0.50	1	07/19/2023 21:59
Vanadium	44	0.50	1	07/19/2023 21:59
Zinc	53	5.0	1	07/19/2023 21:59

Surrogates	REC (%)	Limits	Date Analyzed
Terbium	112	70-130	07/19/2023 21:59

Analyst(s): AL



Analytical Report

Client: Kleinfelder, Inc.
Date Received: 07/17/2023 18:00
Date Prepared: 07/19/2023
Project: 24001500.001A; Norris Creek

WorkOrder: 2307968
Extraction Method: SW3050B
Analytical Method: SW6020
Unit: mg/Kg

Metals

Client ID	Lab ID	Matrix	Date Collected	Instrument	Batch ID
HA-2-0.5,1.5,2.5,3.5'	2307968-002B	Soil	07/17/2023 13:45	ICP-MS6 1141SMPL.d	273962

Analytes	Result	RL	DF	Date Analyzed
Antimony	ND	0.50	1	07/19/2023 22:03
Arsenic	4.0	0.50	1	07/19/2023 22:03
Barium	110	5.0	1	07/19/2023 22:03
Beryllium	ND	0.50	1	07/19/2023 22:03
Cadmium	ND	0.50	1	07/19/2023 22:03
Chromium	42	0.50	1	07/19/2023 22:03
Cobalt	11	0.50	1	07/19/2023 22:03
Copper	12	0.50	1	07/19/2023 22:03
Lead	4.6	0.50	1	07/19/2023 22:03
Molybdenum	ND	0.50	1	07/19/2023 22:03
Nickel	42	0.50	1	07/19/2023 22:03
Selenium	ND	0.50	1	07/19/2023 22:03
Silver	ND	0.50	1	07/19/2023 22:03
Thallium	ND	0.50	1	07/19/2023 22:03
Vanadium	45	0.50	1	07/19/2023 22:03
Zinc	42	5.0	1	07/19/2023 22:03

Surrogates	REC (%)	Limits	Date Analyzed
Terbium	106	70-130	07/19/2023 22:03

Analyst(s): AL



Analytical Report

Client: Kleinfelder, Inc.
Date Received: 07/17/2023 18:00
Date Prepared: 07/19/2023
Project: 24001500.001A; Norris Creek

WorkOrder: 2307968
Extraction Method: SW3050B
Analytical Method: SW6020
Unit: mg/Kg

Metals

Client ID	Lab ID	Matrix	Date Collected	Instrument	Batch ID
HA-3-0.5,1.0,2.0,2.5'	2307968-003B	Soil	07/17/2023 14:30	ICP-MS6 1142SMPL.d	273962

Analytes	Result	RL	DF	Date Analyzed
Antimony	ND	0.50	1	07/19/2023 22:06
Arsenic	4.9	0.50	1	07/19/2023 22:06
Barium	170	5.0	1	07/19/2023 22:06
Beryllium	ND	0.50	1	07/19/2023 22:06
Cadmium	ND	0.50	1	07/19/2023 22:06
Chromium	38	0.50	1	07/19/2023 22:06
Cobalt	9.0	0.50	1	07/19/2023 22:06
Copper	13	0.50	1	07/19/2023 22:06
Lead	10	0.50	1	07/19/2023 22:06
Molybdenum	ND	0.50	1	07/19/2023 22:06
Nickel	44	0.50	1	07/19/2023 22:06
Selenium	ND	0.50	1	07/19/2023 22:06
Silver	ND	0.50	1	07/19/2023 22:06
Thallium	ND	0.50	1	07/19/2023 22:06
Vanadium	43	0.50	1	07/19/2023 22:06
Zinc	40	5.0	1	07/19/2023 22:06

Surrogates	REC (%)	Limits	Date Analyzed
Terbium	103	70-130	07/19/2023 22:06

Analyst(s): AL



Analytical Report

Client: Kleinfelder, Inc.
Date Received: 07/17/2023 18:00
Date Prepared: 07/19/2023
Project: 24001500.001A; Norris Creek

WorkOrder: 2307968
Extraction Method: SW3050B
Analytical Method: SW6020
Unit: mg/Kg

Metals

Client ID	Lab ID	Matrix	Date Collected	Instrument	Batch ID
HA-4-0.25,0.5,0.75,1.0'	2307968-004B	Soil	07/17/2023 15:20	ICP-MS6 1143SMPL.d	273962

Analytes	Result	RL	DF	Date Analyzed
Antimony	ND	0.50	1	07/19/2023 22:09
Arsenic	5.0	0.50	1	07/19/2023 22:09
Barium	190	5.0	1	07/19/2023 22:09
Beryllium	ND	0.50	1	07/19/2023 22:09
Cadmium	ND	0.50	1	07/19/2023 22:09
Chromium	49	0.50	1	07/19/2023 22:09
Cobalt	9.5	0.50	1	07/19/2023 22:09
Copper	18	0.50	1	07/19/2023 22:09
Lead	7.9	0.50	1	07/19/2023 22:09
Molybdenum	ND	0.50	1	07/19/2023 22:09
Nickel	55	0.50	1	07/19/2023 22:09
Selenium	ND	0.50	1	07/19/2023 22:09
Silver	ND	0.50	1	07/19/2023 22:09
Thallium	ND	0.50	1	07/19/2023 22:09
Vanadium	45	0.50	1	07/19/2023 22:09
Zinc	52	5.0	1	07/19/2023 22:09

Surrogates	REC (%)	Limits	Date Analyzed
Terbium	108	70-130	07/19/2023 22:09

Analyst(s): AL



Analytical Report

Client: Kleinfelder, Inc.
Date Received: 07/17/2023 18:00
Date Prepared: 07/19/2023
Project: 24001500.001A; Norris Creek

WorkOrder: 2307968
Extraction Method: SW3050B
Analytical Method: SW6020
Unit: mg/Kg

Metals

Client ID	Lab ID	Matrix	Date Collected	Instrument	Batch ID
HA-5-0.1,0.25,0.4,0.5'	2307968-005B	Soil	07/17/2023 15:50	ICP-MS6 1144SMPL.d	273962

Analytes	Result	RL	DF	Date Analyzed
Antimony	ND	0.50	1	07/19/2023 22:13
Arsenic	3.4	0.50	1	07/19/2023 22:13
Barium	170	5.0	1	07/19/2023 22:13
Beryllium	ND	0.50	1	07/19/2023 22:13
Cadmium	ND	0.50	1	07/19/2023 22:13
Chromium	39	0.50	1	07/19/2023 22:13
Cobalt	8.5	0.50	1	07/19/2023 22:13
Copper	15	0.50	1	07/19/2023 22:13
Lead	5.3	0.50	1	07/19/2023 22:13
Molybdenum	ND	0.50	1	07/19/2023 22:13
Nickel	45	0.50	1	07/19/2023 22:13
Selenium	ND	0.50	1	07/19/2023 22:13
Silver	ND	0.50	1	07/19/2023 22:13
Thallium	ND	0.50	1	07/19/2023 22:13
Vanadium	40	0.50	1	07/19/2023 22:13
Zinc	40	5.0	1	07/19/2023 22:13

Surrogates	REC (%)	Limits	Date Analyzed
Terbium	108	70-130	07/19/2023 22:13

Analyst(s): AL



Analytical Report

Client: Kleinfelder, Inc.
Date Received: 07/17/2023 18:00
Date Prepared: 07/17/2023
Project: 24001500.001A; Norris Creek

WorkOrder: 2307968
Extraction Method: SW5035
Analytical Method: SW8021B/8015Bm
Unit: mg/Kg

Gasoline Range (C6-C12) Volatile Hydrocarbons as Gasoline with BTEX and MTBE

Client ID	Lab ID	Matrix	Date Collected	Instrument	Batch ID
HA-1-0.5,1.5,2.5,3.5'	2307968-001A	Soil	07/17/2023 12:35	GC7 07202307.D	273785

Analytes	Result	RL	DF	Date Analyzed
TPH(g) (C6-C12)	ND	1.0	1	07/20/2023 16:00
MTBE	ND	0.050	1	07/20/2023 16:00
Benzene	ND	0.0050	1	07/20/2023 16:00
Toluene	0.062	0.0050	1	07/20/2023 16:00
Ethylbenzene	ND	0.0050	1	07/20/2023 16:00
m,p-Xylene	ND	0.010	1	07/20/2023 16:00
o-Xylene	ND	0.0050	1	07/20/2023 16:00
Xylenes	ND	0.0050	1	07/20/2023 16:00

Surrogates	REC (%)	Limits	Date Analyzed
aaa-TFT	108	72-123	07/20/2023 16:00

Analyst(s): IA

Client ID	Lab ID	Matrix	Date Collected	Instrument	Batch ID
HA-2-0.5,1.5,2.5,3.5'	2307968-002A	Soil	07/17/2023 13:45	GC7 07202308.D	273785

Analytes	Result	RL	DF	Date Analyzed
TPH(g) (C6-C12)	ND	1.0	1	07/20/2023 16:31
MTBE	ND	0.050	1	07/20/2023 16:31
Benzene	ND	0.0050	1	07/20/2023 16:31
Toluene	0.014	0.0050	1	07/20/2023 16:31
Ethylbenzene	ND	0.0050	1	07/20/2023 16:31
m,p-Xylene	ND	0.010	1	07/20/2023 16:31
o-Xylene	ND	0.0050	1	07/20/2023 16:31
Xylenes	ND	0.0050	1	07/20/2023 16:31

Surrogates	REC (%)	Limits	Date Analyzed
2-Fluorotoluene	82	62-126	07/20/2023 16:31

Analyst(s): IA

(Cont.)



Analytical Report

Client: Kleinfelder, Inc.
Date Received: 07/17/2023 18:00
Date Prepared: 07/17/2023
Project: 24001500.001A; Norris Creek

WorkOrder: 2307968
Extraction Method: SW5035
Analytical Method: SW8021B/8015Bm
Unit: mg/Kg

Gasoline Range (C6-C12) Volatile Hydrocarbons as Gasoline with BTEX and MTBE

Client ID	Lab ID	Matrix	Date Collected	Instrument	Batch ID
HA-3-0.5,1.0,2.0,2.5'	2307968-003A	Soil	07/17/2023 14:30	GC19 07202317.D	273785

Analytes	Result	RL	DF	Date Analyzed
TPH(g) (C6-C12)	ND	1.0	1	07/20/2023 21:23
MTBE	ND	0.050	1	07/20/2023 21:23
Benzene	ND	0.0050	1	07/20/2023 21:23
Toluene	ND	0.0050	1	07/20/2023 21:23
Ethylbenzene	ND	0.0050	1	07/20/2023 21:23
m,p-Xylene	ND	0.010	1	07/20/2023 21:23
o-Xylene	ND	0.0050	1	07/20/2023 21:23
Xylenes	ND	0.0050	1	07/20/2023 21:23

Surrogates	REC (%)	Limits	Date Analyzed
2-Fluorotoluene	69	62-126	07/20/2023 21:23

Analyst(s): IA

Client ID	Lab ID	Matrix	Date Collected	Instrument	Batch ID
HA-4-0.25,0.5,0.75,1.0'	2307968-004A	Soil	07/17/2023 15:20	GC19 07202318.D	273785

Analytes	Result	RL	DF	Date Analyzed
TPH(g) (C6-C12)	ND	1.0	1	07/20/2023 21:54
MTBE	ND	0.050	1	07/20/2023 21:54
Benzene	ND	0.0050	1	07/20/2023 21:54
Toluene	ND	0.0050	1	07/20/2023 21:54
Ethylbenzene	ND	0.0050	1	07/20/2023 21:54
m,p-Xylene	ND	0.010	1	07/20/2023 21:54
o-Xylene	ND	0.0050	1	07/20/2023 21:54
Xylenes	ND	0.0050	1	07/20/2023 21:54

Surrogates	REC (%)	Limits	Date Analyzed
2-Fluorotoluene	64	62-126	07/20/2023 21:54

Analyst(s): IA

(Cont.)



Analytical Report

Client: Kleinfelder, Inc.
Date Received: 07/17/2023 18:00
Date Prepared: 07/17/2023
Project: 24001500.001A; Norris Creek

WorkOrder: 2307968
Extraction Method: SW5035
Analytical Method: SW8021B/8015Bm
Unit: mg/Kg

Gasoline Range (C6-C12) Volatile Hydrocarbons as Gasoline with BTEX and MTBE

Client ID	Lab ID	Matrix	Date Collected	Instrument	Batch ID
HA-5-0.1,0.25,0.4,0.5'	2307968-005A	Soil	07/17/2023 15:50	GC19 07202320.D	273785

Analytes	Result	RL	DF	Date Analyzed
TPH(g) (C6-C12)	ND	1.0	1	07/20/2023 22:57
MTBE	ND	0.050	1	07/20/2023 22:57
Benzene	ND	0.0050	1	07/20/2023 22:57
Toluene	ND	0.0050	1	07/20/2023 22:57
Ethylbenzene	ND	0.0050	1	07/20/2023 22:57
m,p-Xylene	ND	0.010	1	07/20/2023 22:57
o-Xylene	ND	0.0050	1	07/20/2023 22:57
Xylenes	ND	0.0050	1	07/20/2023 22:57

Surrogates	REC (%)	Limits	Date Analyzed
2-Fluorotoluene	66	62-126	07/20/2023 22:57

Analyst(s): IA



Analytical Report

Client: Kleinfelder, Inc.
Date Received: 07/17/2023 18:00
Date Prepared: 07/18/2023
Project: 24001500.001A; Norris Creek

WorkOrder: 2307968
Extraction Method: SW7471B
Analytical Method: SW7471B
Unit: mg/Kg

Mercury by Cold Vapor Atomic Absorption

Client ID	Lab ID	Matrix	Date Collected	Instrument	Batch ID
HA-1-0.5,1.5,2.5,3.5'	2307968-001A	Soil	07/17/2023 12:35	AA1 _31	273664

Analytes	Result	RL	DF	Date Analyzed
Mercury	0.018	0.017	1	07/19/2023 13:56

Analyst(s): DMA

Client ID	Lab ID	Matrix	Date Collected	Instrument	Batch ID
HA-2-0.5,1.5,2.5,3.5'	2307968-002A	Soil	07/17/2023 13:45	AA1 _32	273664

Analytes	Result	RL	DF	Date Analyzed
Mercury	0.018	0.017	1	07/19/2023 13:59

Analyst(s): DMA

Client ID	Lab ID	Matrix	Date Collected	Instrument	Batch ID
HA-3-0.5,1.0,2.0,2.5'	2307968-003A	Soil	07/17/2023 14:30	AA1 _33	273664

Analytes	Result	RL	DF	Date Analyzed
Mercury	0.026	0.017	1	07/19/2023 14:02

Analyst(s): DMA

Client ID	Lab ID	Matrix	Date Collected	Instrument	Batch ID
HA-4-0.25,0.5,0.75,1.0'	2307968-004A	Soil	07/17/2023 15:20	AA1 _34	273664

Analytes	Result	RL	DF	Date Analyzed
Mercury	0.032	0.017	1	07/19/2023 14:05

Analyst(s): DMA

(Cont.)



Analytical Report

Client: Kleinfelder, Inc.
Date Received: 07/17/2023 18:00
Date Prepared: 07/18/2023
Project: 24001500.001A; Norris Creek

WorkOrder: 2307968
Extraction Method: SW7471B
Analytical Method: SW7471B
Unit: mg/Kg

Mercury by Cold Vapor Atomic Absorption

Client ID	Lab ID	Matrix	Date Collected	Instrument	Batch ID
HA-5-0.1,0.25,0.4,0.5'	2307968-005A	Soil	07/17/2023 15:50	AA1 _35	273664

<u>Analytes</u>	<u>Result</u>	<u>RL</u>	<u>DF</u>	<u>Date Analyzed</u>
Mercury	0.025	0.017	1	07/19/2023 14:08

Analyst(s): DMA



Analytical Report

Client: Kleinfelder, Inc.
Date Received: 07/17/2023 18:00
Date Prepared: 07/22/2023
Project: 24001500.001A; Norris Creek

WorkOrder: 2307968
Extraction Method: CA Title 22
Analytical Method: SW6020
Unit: mg/L

Metals (STLC)

Client ID	Lab ID	Matrix	Date Collected	Instrument	Batch ID
HA-1-0.5,1.5,2.5,3.5'	2307968-001B	Soil	07/17/2023 12:35	ICP-MS5 145SMPL.d	274288

Analytes	Result	RL	DF	Date Analyzed
Chromium	0.12	0.10	1	07/24/2023 14:21

Analyst(s): WV



Analytical Report

Client: Kleinfelder, Inc.
Date Received: 07/17/2023 18:00
Date Prepared: 07/18/2023-07/21/2023
Project: 24001500.001A; Norris Creek

WorkOrder: 2307968
Extraction Method: ASTM D2216
Analytical Method: SW8000
Unit: wet wt%

Percent Moisture

Client ID	Lab ID	Matrix	Date Collected	Instrument	Batch ID
HA-1-0.5,1.5,2.5,3.5'	2307968-001A	Soil	07/17/2023 12:35	WetChem	274228

Analytes	Result	RL	Date Analyzed
% Moisture	18.8	0.100	07/24/2023 14:02

Analyst(s): JME

Client ID	Lab ID	Matrix	Date Collected	Instrument	Batch ID
HA-2-0.5,1.5,2.5,3.5'	2307968-002A	Soil	07/17/2023 13:45	WetChem	274228

Analytes	Result	RL	Date Analyzed
% Moisture	26.6	0.100	07/24/2023 14:06

Analyst(s): JME

Client ID	Lab ID	Matrix	Date Collected	Instrument	Batch ID
HA-3-0.5,1.0,2.0,2.5'	2307968-003A	Soil	07/17/2023 14:30	WetChem	274228

Analytes	Result	RL	Date Analyzed
% Moisture	28.6	0.100	07/24/2023 14:08

Analyst(s): JME

Client ID	Lab ID	Matrix	Date Collected	Instrument	Batch ID
HA-4-0.25,0.5,0.75,1.0'	2307968-004A	Soil	07/17/2023 15:20	WetChem	273959

Analytes	Result	RL	Date Analyzed
% Moisture	25.6	0.100	07/19/2023 13:55

Analyst(s): JME

(Cont.)



Analytical Report

Client: Kleinfelder, Inc.
Date Received: 07/17/2023 18:00
Date Prepared: 07/18/2023-07/21/2023
Project: 24001500.001A; Norris Creek

WorkOrder: 2307968
Extraction Method: ASTM D2216
Analytical Method: SW8000
Unit: wet wt%

Percent Moisture

Client ID	Lab ID	Matrix	Date Collected	Instrument	Batch ID
HA-5-0.1,0.25,0.4,0.5'	2307968-005A	Soil	07/17/2023 15:50	WetChem	274228

Analytes	Result	RL	Date Analyzed
% Moisture	36.8	0.100	07/24/2023 14:10

Analyst(s): JME



Analytical Report

Client: Kleinfelder, Inc.
Date Received: 07/17/2023 18:00
Date Prepared: 07/19/2023
Project: 24001500.001A; Norris Creek

WorkOrder: 2307968
Extraction Method: SW9045C
Analytical Method: SW9045C
Unit: pH units @ 25°C

pH

Client ID	Lab ID	Matrix	Date Collected	Instrument	Batch ID
HA-1-0.5,1.5,2.5,3.5'	2307968-001A	Soil	07/17/2023 12:35	WetChem	274032

Analytes	Result	Accuracy	DF	Date Analyzed
pH	7.41	±0.1	1	07/19/2023 16:00

Analyst(s): JME

Client ID	Lab ID	Matrix	Date Collected	Instrument	Batch ID
HA-2-0.5,1.5,2.5,3.5'	2307968-002A	Soil	07/17/2023 13:45	WetChem	274032

Analytes	Result	Accuracy	DF	Date Analyzed
pH	7.79	±0.1	1	07/19/2023 16:02

Analyst(s): JME

Client ID	Lab ID	Matrix	Date Collected	Instrument	Batch ID
HA-3-0.5,1.0,2.0,2.5'	2307968-003A	Soil	07/17/2023 14:30	WetChem	274032

Analytes	Result	Accuracy	DF	Date Analyzed
pH	8.60	±0.1	1	07/19/2023 16:04

Analyst(s): JME

Client ID	Lab ID	Matrix	Date Collected	Instrument	Batch ID
HA-4-0.25,0.5,0.75,1.0'	2307968-004A	Soil	07/17/2023 15:20	WetChem	274038

Analytes	Result	Accuracy	DF	Date Analyzed
pH	8.64	±0.1	1	07/19/2023 16:08

Analyst(s): JME

(Cont.)



Analytical Report

Client: Kleinfelder, Inc.
Date Received: 07/17/2023 18:00
Date Prepared: 07/19/2023
Project: 24001500.001A; Norris Creek

WorkOrder: 2307968
Extraction Method: SW9045C
Analytical Method: SW9045C
Unit: pH units @ 25°C

pH

Client ID	Lab ID	Matrix	Date Collected	Instrument	Batch ID
HA-5-0.1,0.25,0.4,0.5'	2307968-005A	Soil	07/17/2023 15:50	WetChem	274038

<u>Analytes</u>	<u>Result</u>	<u>Accuracy</u>	<u>DF</u>	<u>Date Analyzed</u>
pH	7.75	±0.1	1	07/19/2023 16:12

Analyst(s): JME



Analytical Report

Client: Kleinfelder, Inc.
Date Received: 07/17/2023 18:00
Date Prepared: 07/17/2023
Project: 24001500.001A; Norris Creek

WorkOrder: 2307968
Extraction Method: SW3550B
Analytical Method: SW8015B
Unit: mg/Kg

Total Extractable Petroleum Hydrocarbons w/out SG Clean-Up

Client ID	Lab ID	Matrix	Date Collected	Instrument	Batch ID
HA-1-0.5,1.5,2.5,3.5'	2307968-001A	Soil	07/17/2023 12:35	GC6A 07212320.D	273784

Analytes	Result	RL	DF	Date Analyzed
TPH-Diesel (C10-C23)	4.6	2.0	1	07/21/2023 23:48
TPH-Motor Oil (C18-C36)	19	10	1	07/21/2023 23:48

Surrogates	REC (%)	Limits	Date Analyzed
C9	89	70-130	07/21/2023 23:48

Analyst(s): JIS Analytical Comments: e2,e7

Client ID	Lab ID	Matrix	Date Collected	Instrument	Batch ID
HA-2-0.5,1.5,2.5,3.5'	2307968-002A	Soil	07/17/2023 13:45	GC6B 07212319.D	273784

Analytes	Result	RL	DF	Date Analyzed
TPH-Diesel (C10-C23)	13	2.0	1	07/21/2023 23:48
TPH-Motor Oil (C18-C36)	32	10	1	07/21/2023 23:48

Surrogates	REC (%)	Limits	Date Analyzed
C9	101	70-130	07/21/2023 23:48

Analyst(s): JIS Analytical Comments: e2,e7

Client ID	Lab ID	Matrix	Date Collected	Instrument	Batch ID
HA-3-0.5,1.0,2.0,2.5'	2307968-003A	Soil	07/17/2023 14:30	GC11A 07242312.D	273784

Analytes	Result	RL	DF	Date Analyzed
TPH-Diesel (C10-C23)	4.3	2.0	1	07/24/2023 14:36
TPH-Motor Oil (C18-C36)	30	10	1	07/24/2023 14:36

Surrogates	REC (%)	Limits	Date Analyzed
C9	102	70-130	07/24/2023 14:36

Analyst(s): JIS Analytical Comments: e2,e7

(Cont.)



Analytical Report

Client: Kleinfelder, Inc.
Date Received: 07/17/2023 18:00
Date Prepared: 07/17/2023
Project: 24001500.001A; Norris Creek

WorkOrder: 2307968
Extraction Method: SW3550B
Analytical Method: SW8015B
Unit: mg/Kg

Total Extractable Petroleum Hydrocarbons w/out SG Clean-Up

Client ID	Lab ID	Matrix	Date Collected	Instrument	Batch ID
HA-4-0.25,0.5,0.75,1.0'	2307968-004A	Soil	07/17/2023 15:20	GC11B 07242311.D	273784

Analytes	Result	RL	DF	Date Analyzed
TPH-Diesel (C10-C23)	2.2	2.0	1	07/24/2023 14:36
TPH-Motor Oil (C18-C36)	ND	10	1	07/24/2023 14:36

Surrogates	REC (%)	Limits	Date Analyzed
C9	89	70-130	07/24/2023 14:36

Analyst(s): JIS Analytical Comments: e2

Client ID	Lab ID	Matrix	Date Collected	Instrument	Batch ID
HA-5-0.1,0.25,0.4,0.5'	2307968-005A	Soil	07/17/2023 15:50	GC6A 07212332.D	273784

Analytes	Result	RL	DF	Date Analyzed
TPH-Diesel (C10-C23)	2.2	2.0	1	07/22/2023 03:45
TPH-Motor Oil (C18-C36)	22	10	1	07/22/2023 03:45

Surrogates	REC (%)	Limits	Date Analyzed
C9	86	70-130	07/22/2023 03:45

Analyst(s): JIS Analytical Comments: e2,e7



Quality Control Report

Client: Kleinfelder, Inc.	WorkOrder: 2307968
Date Prepared: 07/17/2023	BatchID: 273779
Date Analyzed: 07/18/2023	Extraction Method: SW3550B
Instrument: GC20, GC40	Analytical Method: SW8081A/8082
Matrix: Soil	Unit: mg/kg
Project: 24001500.001A; Norris Creek	Sample ID: MB/LCS/LCSD-273779

QC Summary Report for SW8081A/8082

Analyte	MB Result	MDL	RL	SPK Val	MB SS %REC	MB SS Limits
Aldrin	ND	0.00039	0.0010	-	-	-
a-BHC	ND	0.00049	0.0010	-	-	-
b-BHC	ND	0.00027	0.0010	-	-	-
d-BHC	ND	0.00033	0.0010	-	-	-
g-BHC	ND	0.00033	0.0010	-	-	-
Chlordane (Technical)	ND	0.012	0.025	-	-	-
a-Chlordane	ND	0.00043	0.0010	-	-	-
g-Chlordane	ND	0.00034	0.0010	-	-	-
p,p-DDD	ND	0.00041	0.0010	-	-	-
p,p-DDE	ND	0.00029	0.0010	-	-	-
p,p-DDT	ND	0.00039	0.0010	-	-	-
Dieldrin	ND	0.00038	0.0010	-	-	-
Endosulfan I	ND	0.00035	0.0010	-	-	-
Endosulfan II	ND	0.00033	0.0010	-	-	-
Endosulfan sulfate	ND	0.00040	0.0010	-	-	-
Endrin	ND	0.00038	0.0010	-	-	-
Endrin aldehyde	ND	0.00044	0.0010	-	-	-
Endrin ketone	ND	0.00029	0.0010	-	-	-
Heptachlor	ND	0.00030	0.0010	-	-	-
Heptachlor epoxide	ND	0.00030	0.0010	-	-	-
Hexachlorobenzene	ND	0.00070	0.010	-	-	-
Hexachlorocyclopentadiene	ND	0.00052	0.020	-	-	-
Methoxychlor	ND	0.00045	0.0010	-	-	-
Toxaphene	ND	0.033	0.050	-	-	-
Aroclor1016	ND	0.032	0.050	-	-	-
Aroclor1221	ND	0.032	0.050	-	-	-
Aroclor1232	ND	0.032	0.050	-	-	-
Aroclor1242	ND	0.032	0.050	-	-	-
Aroclor1248	ND	0.032	0.050	-	-	-
Aroclor1254	ND	0.032	0.050	-	-	-
Aroclor1260	ND	0.032	0.050	-	-	-

Surrogate Recovery

Decachlorobiphenyl	0.046	0.05	91	70-130
--------------------	-------	------	----	--------

Analyte	LCS Result	LCSD Result	SPK Val	LCS %REC	LCSD %REC	LCS/LCSD Limits	RPD	RPD Limit
---------	------------	-------------	---------	----------	-----------	-----------------	-----	-----------

(Cont.)



Quality Control Report

Client: Kleinfelder, Inc.
Date Prepared: 07/17/2023
Date Analyzed: 07/18/2023
Instrument: GC20, GC40
Matrix: Soil
Project: 24001500.001A; Norris Creek

WorkOrder: 2307968
BatchID: 273779
Extraction Method: SW3550B
Analytical Method: SW8081A/8082
Unit: mg/kg
Sample ID: MB/LCS/LCSD-273779

QC Summary Report for SW8081A/8082

Analyte	LCS Result	LCSD Result	SPK Val	LCS %REC	LCSD %REC	LCS/LCSD Limits	RPD	RPD Limit
Aldrin	0.054	0.054	0.050	109	107	70-130	1.14	20
a-BHC	0.057	0.056	0.050	113	112	70-130	1.03	20
b-BHC	0.055	0.054	0.050	110	109	70-130	1.54	20
d-BHC	0.057	0.057	0.050	114	113	70-130	1.04	20
g-BHC	0.056	0.055	0.050	112	110	70-130	1.67	20
a-Chlordane	0.051	0.052	0.050	103	104	70-130	0.608	20
g-Chlordane	0.051	0.052	0.050	103	103	70-130	0.648	20
p,p-DDD	0.051	0.049	0.050	101	98	70-130	3.46	20
p,p-DDE	0.053	0.053	0.050	107	106	70-130	0.450	20
p,p-DDT	0.045	0.045	0.050	91	91	70-130	0.266	20
Dieldrin	0.052	0.052	0.050	104	104	70-130	0.418	20
Endosulfan I	0.052	0.052	0.050	105	104	70-130	0.891	20
Endosulfan II	0.049	0.049	0.050	99	97	70-130	1.84	20
Endosulfan sulfate	0.052	0.051	0.050	103	103	70-130	0.919	20
Endrin	0.052	0.051	0.050	104	103	70-130	0.756	20
Endrin aldehyde	0.049	0.049	0.050	99	98	70-130	0.819	20
Endrin ketone	0.050	0.050	0.050	101	100	70-130	1.13	20
Heptachlor	0.053	0.053	0.050	107	105	70-130	1.49	20
Heptachlor epoxide	0.052	0.052	0.050	103	104	70-130	0.493	20
Hexachlorobenzene	0.051	0.051	0.050	103	102	70-130	0.327	20
Hexachlorocyclopentadiene	0.039	0.038	0.050	77	76	50-130	1.30	20
Methoxychlor	0.044	0.044	0.050	89	88	70-130	0.573	20
Aroclor1016	0.17	0.16	0.15	111	108	70-130	2.29	20
Aroclor1260	0.16	0.15	0.15	106	102	70-130	3.76	20
Surrogate Recovery								
Decachlorobiphenyl	0.045	0.044	0.050	89	88	70-130	1.42	20



Quality Control Report

Client:	Kleinfelder, Inc.	WorkOrder:	2307968
Date Prepared:	07/17/2023	BatchID:	273862
Date Analyzed:	07/18/2023	Extraction Method:	SW5035
Instrument:	GC49	Analytical Method:	SW8260B
Matrix:	Soil	Unit:	mg/Kg
Project:	24001500.001A; Norris Creek	Sample ID:	MB/LCS/LCSD-273862

QC Summary Report for SW8260B (Encore)

Analyte	MB Result	MDL	RL	SPK Val	MB SS %REC	MB SS Limits
Acetone	ND	0.24	0.40	-	-	-
tert-Amyl methyl ether (TAME)	ND	0.0015	0.010	-	-	-
Benzene	ND	0.0017	0.010	-	-	-
Bromobenzene	ND	0.0018	0.010	-	-	-
Bromochloromethane	ND	0.0018	0.010	-	-	-
Bromodichloromethane	ND	0.00035	0.0020	-	-	-
Bromoform	ND	0.0078	0.010	-	-	-
Bromomethane	ND	0.0050	0.010	-	-	-
2-Butanone (MEK)	ND	0.046	0.10	-	-	-
t-Butyl alcohol (TBA)	ND	0.021	0.10	-	-	-
n-Butyl benzene	ND	0.0028	0.010	-	-	-
sec-Butyl benzene	ND	0.0030	0.010	-	-	-
tert-Butyl benzene	ND	0.0034	0.010	-	-	-
Carbon Disulfide	ND	0.0030	0.010	-	-	-
Carbon Tetrachloride	ND	0.00032	0.010	-	-	-
Chlorobenzene	ND	0.0017	0.010	-	-	-
Chloroethane	ND	0.0032	0.010	-	-	-
Chloroform	ND	0.00069	0.010	-	-	-
Chloromethane	ND	0.0034	0.010	-	-	-
2-Chlorotoluene	ND	0.0026	0.010	-	-	-
4-Chlorotoluene	ND	0.0020	0.010	-	-	-
Dibromochloromethane	ND	0.0026	0.010	-	-	-
1,2-Dibromo-3-chloropropane	ND	0.00098	0.0010	-	-	-
1,2-Dibromoethane (EDB)	ND	0.00024	0.00050	-	-	-
Dibromomethane	ND	0.0019	0.010	-	-	-
1,2-Dichlorobenzene	ND	0.0046	0.010	-	-	-
1,3-Dichlorobenzene	ND	0.0020	0.010	-	-	-
1,4-Dichlorobenzene	ND	0.0020	0.010	-	-	-
Dichlorodifluoromethane	ND	0.0034	0.010	-	-	-
1,1-Dichloroethane	ND	0.0016	0.010	-	-	-
1,2-Dichloroethane (1,2-DCA)	ND	0.00028	0.00050	-	-	-
1,1-Dichloroethene	ND	0.00030	0.010	-	-	-
cis-1,2-Dichloroethene	ND	0.0015	0.010	-	-	-
trans-1,2-Dichloroethene	ND	0.0024	0.010	-	-	-
1,2-Dichloropropane	ND	0.0016	0.010	-	-	-
1,3-Dichloropropane	ND	0.0020	0.010	-	-	-
2,2-Dichloropropane	ND	0.0024	0.010	-	-	-
1,1-Dichloropropene	ND	0.0019	0.010	-	-	-

(Cont.)



Quality Control Report

Client:	Kleinfelder, Inc.	WorkOrder:	2307968
Date Prepared:	07/17/2023	BatchID:	273862
Date Analyzed:	07/18/2023	Extraction Method:	SW5035
Instrument:	GC49	Analytical Method:	SW8260B
Matrix:	Soil	Unit:	mg/Kg
Project:	24001500.001A; Norris Creek	Sample ID:	MB/LCS/LCSD-273862

QC Summary Report for SW8260B (Encore)

Analyte	MB Result	MDL	RL	SPK Val	MB SS %REC	MB SS Limits
cis-1,3-Dichloropropene	ND	0.0013	0.010	-	-	-
trans-1,3-Dichloropropene	ND	0.0024	0.010	-	-	-
Diisopropyl ether (DIPE)	ND	0.0016	0.010	-	-	-
Ethylbenzene	ND	0.0022	0.010	-	-	-
Ethyl tert-butyl ether (ETBE)	ND	0.0015	0.010	-	-	-
Freon 113	ND	0.0022	0.010	-	-	-
Hexachlorobutadiene	ND	0.0024	0.010	-	-	-
Hexachloroethane	ND	0.0013	0.010	-	-	-
2-Hexanone	ND	0.0086	0.010	-	-	-
Isopropylbenzene	ND	0.0028	0.010	-	-	-
4-Isopropyl toluene	ND	0.0026	0.010	-	-	-
Methyl-t-butyl ether (MTBE)	ND	0.0028	0.010	-	-	-
Methylene chloride	ND	0.018	0.040	-	-	-
4-Methyl-2-pentanone (MIBK)	ND	0.0030	0.010	-	-	-
Naphthalene	ND	0.0044	0.010	-	-	-
n-Propyl benzene	ND	0.0032	0.010	-	-	-
Styrene	ND	0.0034	0.010	-	-	-
1,1,1,2-Tetrachloroethane	ND	0.0020	0.010	-	-	-
1,1,2,2-Tetrachloroethane	ND	0.00056	0.010	-	-	-
Tetrachloroethene	ND	0.00062	0.010	-	-	-
Toluene	ND	0.0026	0.010	-	-	-
1,2,3-Trichlorobenzene	ND	0.0034	0.010	-	-	-
1,2,4-Trichlorobenzene	ND	0.0024	0.010	-	-	-
1,1,1-Trichloroethane	ND	0.0017	0.010	-	-	-
1,1,2-Trichloroethane	ND	0.0027	0.010	-	-	-
Trichloroethene	ND	0.0016	0.010	-	-	-
Trichlorofluoromethane	ND	0.0026	0.010	-	-	-
1,2,3-Trichloropropane	ND	0.00030	0.00050	-	-	-
1,2,4-Trimethylbenzene	ND	0.0064	0.010	-	-	-
1,3,5-Trimethylbenzene	ND	0.0024	0.010	-	-	-
Vinyl Chloride	ND	0.00026	0.00050	-	-	-
m,p-Xylene	ND	0.0050	0.010	-	-	-
o-Xylene	ND	0.0024	0.010	-	-	-

(Cont.)



Quality Control Report

Client:	Kleinfelder, Inc.	WorkOrder:	2307968
Date Prepared:	07/17/2023	BatchID:	273862
Date Analyzed:	07/18/2023	Extraction Method:	SW5035
Instrument:	GC49	Analytical Method:	SW8260B
Matrix:	Soil	Unit:	mg/Kg
Project:	24001500.001A; Norris Creek	Sample ID:	MB/LCS/LCSD-273862

QC Summary Report for SW8260B (Encore)

Analyte	MB Result	MDL	RL	SPK Val	MB SS %REC	MB SS Limits
Surrogate Recovery						
Dibromofluoromethane	0.25			0.25	100	60-140
Toluene-d8	0.26			0.25	102	60-140
4-BFB	0.027			0.025	107	60-140
Benzene-d6	0.18			0.2	88	70-140
Ethylbenzene-d10	0.22			0.2	112	70-140
1,2-DCB-d4	0.17			0.2	86	70-140

Analyte	LCS Result	LCSD Result	SPK Val	LCS %REC	LCSD %REC	LCS/LCSD Limits	RPD	RPD Limit
Acetone	0.70	0.68	0.40	176,F2	171,F2	50-140	3.05	30
tert-Amyl methyl ether (TAME)	0.039	0.038	0.040	97	95	50-140	2.26	30
Benzene	0.038	0.037	0.040	96	94	60-140	2.24	30
Bromobenzene	0.042	0.040	0.040	104	100	60-140	3.89	30
Bromochloromethane	0.042	0.041	0.040	106	104	60-140	2.11	30
Bromodichloromethane	0.039	0.038	0.040	98	96	60-140	2.21	30
Bromoform	0.032	0.031	0.040	80	76	40-140	4.90	30
Bromomethane	0.030	0.029	0.040	76	73	30-140	3.45	30
2-Butanone (MEK)	0.15	0.15	0.16	95	94	60-140	1.37	30
t-Butyl alcohol (TBA)	0.23	0.21	0.16	142,F2	134	50-140	6.23	30
n-Butyl benzene	0.047	0.047	0.040	119	117	60-170	1.83	30
sec-Butyl benzene	0.048	0.047	0.040	119	118	60-140	0.531	30
tert-Butyl benzene	0.045	0.045	0.040	114	112	60-140	1.26	30
Carbon Disulfide	0.035	0.035	0.040	88	87	40-140	0.903	30
Carbon Tetrachloride	0.037	0.036	0.040	93	90	60-140	2.46	30
Chlorobenzene	0.038	0.038	0.040	96	95	60-140	0.500	30
Chloroethane	0.031	0.031	0.040	77	79	40-140	1.84	30
Chloroform	0.041	0.040	0.040	102	100	60-140	1.68	30
Chloromethane	0.017	0.016	0.040	41	40	20-140	2.80	30
2-Chlorotoluene	0.043	0.042	0.040	108	105	60-140	2.64	30
4-Chlorotoluene	0.043	0.042	0.040	107	105	60-140	1.68	30
Dibromochloromethane	0.038	0.037	0.040	95	93	50-140	2.70	30
1,2-Dibromo-3-chloropropane	0.018	0.018	0.020	90	88	30-140	2.26	30
1,2-Dibromoethane (EDB)	0.027	0.026	0.020	133	130	30-140	2.32	30
Dibromomethane	0.042	0.041	0.040	105	103	60-140	2.57	30
1,2-Dichlorobenzene	0.034	0.033	0.040	85	82	60-140	3.48	30

(Cont.)



Quality Control Report

Client: Kleinfelder, Inc.
Date Prepared: 07/17/2023
Date Analyzed: 07/18/2023
Instrument: GC49
Matrix: Soil
Project: 24001500.001A; Norris Creek

WorkOrder: 2307968
BatchID: 273862
Extraction Method: SW5035
Analytical Method: SW8260B
Unit: mg/Kg
Sample ID: MB/LCS/LCSD-273862

QC Summary Report for SW8260B (Encore)

Analyte	LCS Result	LCSD Result	SPK Val	LCS %REC	LCSD %REC	LCS/LCSD Limits	RPD	RPD Limit
1,3-Dichlorobenzene	0.040	0.039	0.040	99	98	60-140	1.24	30
1,4-Dichlorobenzene	0.039	0.038	0.040	97	95	60-140	2.90	30
Dichlorodifluoromethane	0.0092	0.0088	0.040	23	22	10-140	5.03	30
1,1-Dichloroethane	0.038	0.037	0.040	95	94	60-140	1.43	30
1,2-Dichloroethane (1,2-DCA)	0.044	0.043	0.040	110	108	60-140	2.03	30
1,1-Dichloroethene	0.035	0.035	0.040	87	86	60-140	0.866	30
cis-1,2-Dichloroethene	0.039	0.039	0.040	98	97	60-140	1.55	30
trans-1,2-Dichloroethene	0.038	0.037	0.040	95	93	60-140	2.28	30
1,2-Dichloropropane	0.040	0.039	0.040	101	98	60-140	2.52	30
1,3-Dichloropropane	0.042	0.041	0.040	105	103	60-140	1.42	30
2,2-Dichloropropane	0.041	0.040	0.040	103	101	60-140	1.80	30
1,1-Dichloropropene	0.039	0.038	0.040	97	96	60-140	1.50	30
cis-1,3-Dichloropropene	0.043	0.042	0.040	109	106	60-140	2.70	30
trans-1,3-Dichloropropene	0.044	0.042	0.040	109	106	60-140	2.71	30
Diisopropyl ether (DIPE)	0.037	0.036	0.040	92	90	60-140	2.33	30
Ethylbenzene	0.041	0.040	0.040	103	100	60-140	2.35	30
Ethyl tert-butyl ether (ETBE)	0.038	0.037	0.040	96	93	50-140	2.54	30
Freon 113	0.030	0.030	0.040	74	75	40-140	1.07	30
Hexachlorobutadiene	0.042	0.043	0.040	104	107	60-140	2.03	30
Hexachloroethane	0.043	0.043	0.040	108	107	60-140	1.20	30
2-Hexanone	0.038	0.039	0.040	96	98	40-140	2.11	30
Isopropylbenzene	0.048	0.047	0.040	119	119	60-140	0.553	30
4-Isopropyl toluene	0.047	0.047	0.040	118	117	60-140	1.25	30
Methyl-t-butyl ether (MTBE)	0.042	0.041	0.040	104	102	50-140	2.63	30
Methylene chloride	0.044	0.044	0.040	110	110	60-140	0.393	30
4-Methyl-2-pentanone (MIBK)	0.041	0.040	0.040	102	99	50-140	2.88	30
Naphthalene	0.024	0.024	0.040	59	59	30-140	1.08	30
n-Propyl benzene	0.047	0.047	0.040	119	117	60-140	1.07	30
Styrene	0.040	0.037	0.040	99	93	60-140	5.90	30
1,1,1,2-Tetrachloroethane	0.040	0.039	0.040	100	98	60-140	1.94	30
1,1,2,2-Tetrachloroethane	0.041	0.040	0.040	102	100	20-140	1.88	30
Tetrachloroethene	0.040	0.038	0.040	99	95	60-140	3.88	30
Toluene	0.041	0.040	0.040	102	100	60-140	2.12	30
1,2,3-Trichlorobenzene	0.025	0.024	0.040	61	61	40-140	0.310	30
1,2,4-Trichlorobenzene	0.032	0.032	0.040	79	79	50-140	0.456	30
1,1,1-Trichloroethane	0.039	0.039	0.040	98	97	60-140	1.16	30
1,1,2-Trichloroethane	0.043	0.042	0.040	107	104	60-140	2.14	30
Trichloroethene	0.039	0.038	0.040	98	96	60-140	2.02	30

(Cont.)



Quality Control Report

Client: Kleinfelder, Inc.	WorkOrder: 2307968
Date Prepared: 07/17/2023	BatchID: 273862
Date Analyzed: 07/18/2023	Extraction Method: SW5035
Instrument: GC49	Analytical Method: SW8260B
Matrix: Soil	Unit: mg/Kg
Project: 24001500.001A; Norris Creek	Sample ID: MB/LCS/LCSD-273862

QC Summary Report for SW8260B (Encore)

Analyte	LCS Result	LCSD Result	SPK Val	LCS %REC	LCSD %REC	LCS/LCSD Limits	RPD	RPD Limit
Trichlorofluoromethane	0.032	0.032	0.040	81	79	40-140	1.64	30
1,2,3-Trichloropropane	0.023	0.023	0.020	115	114	30-140	0.692	30
1,2,4-Trimethylbenzene	0.045	0.044	0.040	112	110	60-140	1.82	30
1,3,5-Trimethylbenzene	0.046	0.045	0.040	115	113	60-140	1.93	30
Vinyl Chloride	0.014	0.013	0.020	69	66	30-130	3.91	30
m,p-Xylene	0.081	0.079	0.080	101	99	60-140	1.37	30
o-Xylene	0.038	0.037	0.040	95	92	60-140	3.48	30
Surrogate Recovery								
Dibromofluoromethane	0.26	0.26	0.25	103	103	60-140	0.0785	30
Toluene-d8	0.25	0.25	0.25	100	100	60-140	0.253	30
4-BFB	0.027	0.027	0.025	110	110	60-140	0.140	30
Benzene-d6	0.19	0.18	0.20	93	92	70-140	1.05	30
Ethylbenzene-d10	0.23	0.22	0.20	113	110	70-140	2.37	30
1,2-DCB-d4	0.19	0.19	0.20	95	93	70-140	1.62	30



Quality Control Report

Client: Kleinfelder, Inc.	WorkOrder: 2307968
Date Prepared: 07/19/2023	BatchID: 274000
Date Analyzed: 07/19/2023	Extraction Method: SW3550B
Instrument: GC17	Analytical Method: SW8270C
Matrix: Soil	Unit: mg/Kg
Project: 24001500.001A; Norris Creek	Sample ID: MB/LCS/LCSD-274000

QC Summary Report for SW8270C

Analyte	MB Result	MDL	RL	SPK Val	MB SS %REC	MB SS Limits
Acenaphthene	ND	0.00035	0.0013	-	-	-
Acenaphthylene	ND	0.00028	0.0013	-	-	-
Acetochlor	ND	0.044	0.25	-	-	-
Anthracene	ND	0.00057	0.0013	-	-	-
Benzidine	ND	0.36	1.2	-	-	-
Benzo (a) anthracene	ND	0.0036	0.012	-	-	-
Benzo (a) pyrene	ND	0.00070	0.0013	-	-	-
Benzo (b) fluoranthene	ND	0.0011	0.0025	-	-	-
Benzo (g,h,i) perylene	ND	0.00089	0.0025	-	-	-
Benzo (k) fluoranthene	ND	0.0010	0.0025	-	-	-
Benzyl Alcohol	ND	0.55	1.2	-	-	-
1,1-Biphenyl	ND	0.0029	0.012	-	-	-
Bis (2-chloroethoxy) Methane	ND	0.030	0.25	-	-	-
Bis (2-chloroethyl) Ether	ND	0.00036	0.0013	-	-	-
Bis (2-chloroisopropyl) Ether	ND	0.0012	0.0025	-	-	-
Bis (2-ethylhexyl) Adipate	ND	0.085	0.25	-	-	-
Bis (2-ethylhexyl) Phthalate	ND	0.0047	0.062	-	-	-
4-Bromophenyl Phenyl Ether	ND	0.040	0.25	-	-	-
Butylbenzyl Phthalate	ND	0.0036	0.062	-	-	-
4-Chloro-3-methylphenol	ND	0.062	0.25	-	-	-
4-Chloroaniline	ND	0.00092	0.0013	-	-	-
2-Chloronaphthalene	ND	0.041	0.25	-	-	-
2-Chlorophenol	ND	0.0024	0.012	-	-	-
4-Chlorophenyl Phenyl Ether	ND	0.066	0.25	-	-	-
Chrysene	ND	0.00067	0.0013	-	-	-
Dibenzo (a,h) anthracene	ND	0.0011	0.0025	-	-	-
Dibenzofuran	ND	0.000093	0.0013	-	-	-
Di-n-butyl Phthalate	ND	0.0044	0.062	-	-	-
1,2-Dichlorobenzene	ND	0.053	0.25	-	-	-
1,3-Dichlorobenzene	ND	0.042	0.25	-	-	-
1,4-Dichlorobenzene	ND	0.049	0.25	-	-	-
3,3-Dichlorobenzidine	ND	0.00089	0.0013	-	-	-
2,4-Dichlorophenol	ND	0.0012	0.0025	-	-	-
Diethyl Phthalate	ND	0.0040	0.012	-	-	-
2,4-Dimethylphenol	ND	0.044	0.25	-	-	-
Dimethyl Phthalate	ND	0.0019	0.0025	-	-	-
4,6-Dinitro-2-methylphenol	ND	0.41	1.2	-	-	-
2,4-Dinitrophenol	ND	0.11	0.25	-	-	-

(Cont.)



Quality Control Report

Client:	Kleinfelder, Inc.	WorkOrder:	2307968
Date Prepared:	07/19/2023	BatchID:	274000
Date Analyzed:	07/19/2023	Extraction Method:	SW3550B
Instrument:	GC17	Analytical Method:	SW8270C
Matrix:	Soil	Unit:	mg/Kg
Project:	24001500.001A; Norris Creek	Sample ID:	MB/LCS/LCSD-274000

QC Summary Report for SW8270C

Analyte	MB Result	MDL	RL	SPK Val	MB SS %REC	MB SS Limits
2,4-Dinitrotoluene	ND	0.0036	0.012	-	-	-
2,6-Dinitrotoluene	ND	0.0078	0.012	-	-	-
Di-n-octyl Phthalate	ND	0.20	0.62	-	-	-
1,2-Diphenylhydrazine	ND	0.038	0.25	-	-	-
Fluoranthene	ND	0.00079	0.0025	-	-	-
Fluorene	ND	0.0010	0.0025	-	-	-
Hexachlorobenzene	ND	0.0012	0.0013	-	-	-
Hexachlorobutadiene	ND	0.00019	0.0013	-	-	-
Hexachlorocyclopentadiene	ND	0.52	1.2	-	-	-
Hexachloroethane	ND	0.00062	0.0025	-	-	-
Indeno (1,2,3-cd) pyrene	ND	0.0016	0.0025	-	-	-
Isophorone	ND	0.069	0.25	-	-	-
1-Methylnaphthalene	ND	0.00033	0.0013	-	-	-
2-Methylnaphthalene	ND	0.00048	0.0013	-	-	-
2-Methylphenol (o-Cresol)	ND	0.060	0.25	-	-	-
3 & 4-Methylphenol (m,p-Cresol)	ND	0.046	0.25	-	-	-
Naphthalene	ND	0.00042	0.0025	-	-	-
2-Nitroaniline	ND	0.31	1.2	-	-	-
3-Nitroaniline	ND	0.24	1.2	-	-	-
4-Nitroaniline	ND	0.28	1.2	-	-	-
Nitrobenzene	ND	0.055	0.25	-	-	-
2-Nitrophenol	ND	0.31	1.2	-	-	-
4-Nitrophenol	ND	0.35	1.2	-	-	-
N-Nitrosodimethylamine	ND	0.22	1.2	-	-	-
N-Nitrosodi-n-propylamine	ND	0.079	0.25	-	-	-
N-Nitrosodiphenylamine	ND	0.029	0.25	-	-	-
Pentachlorophenol	ND	0.029	0.062	-	-	-
Phenanthrene	ND	0.00068	0.0013	-	-	-
Phenol	ND	0.0018	0.010	-	-	-
Pyrene	ND	0.00063	0.0013	-	-	-
Pyridine	ND	0.046	0.25	-	-	-
2,3,4,6-Tetrachlorophenol	ND	0.079	0.25	-	-	-
1,2,4-Trichlorobenzene	ND	0.046	0.25	-	-	-
2,4,5-Trichlorophenol	ND	0.00059	0.0025	-	-	-
2,4,6-Trichlorophenol	ND	0.00057	0.0025	-	-	-

(Cont.)



Quality Control Report

Client: Kleinfelder, Inc.	WorkOrder: 2307968
Date Prepared: 07/19/2023	BatchID: 274000
Date Analyzed: 07/19/2023	Extraction Method: SW3550B
Instrument: GC17	Analytical Method: SW8270C
Matrix: Soil	Unit: mg/Kg
Project: 24001500.001A; Norris Creek	Sample ID: MB/LCS/LCSD-274000

QC Summary Report for SW8270C

Analyte	MB Result	MDL	RL	SPK Val	MB SS %REC	MB SS Limits
Surrogate Recovery						
2-Fluorophenol	1.2			1.25	92	70-130
Phenol-d5	1.1			1.25	89	70-130
Nitrobenzene-d5	1.1			1.25	89	60-130
2-Fluorobiphenyl	1.1			1.25	91	60-130
2,4,6-Tribromophenol	0.96			1.25	77	30-130
4-Terphenyl-d14	1.1			1.25	88	40-130



Quality Control Report

Client: Kleinfelder, Inc.

WorkOrder: 2307968

Date Prepared: 07/19/2023

BatchID: 274000

Date Analyzed: 07/19/2023

Extraction Method: SW3550B

Instrument: GC17

Analytical Method: SW8270C

Matrix: Soil

Unit: mg/Kg

Project: 24001500.001A; Norris Creek

Sample ID: MB/LCS/LCSD-274000

QC Summary Report for SW8270C

Analyte	LCS Result	LCSD Result	SPK Val	LCS %REC	LCSD %REC	LCS/LCSD Limits	RPD	RPD Limit
Acenaphthene	0.054	0.064	0.062	86	102	60-130	17.4	30
Acenaphthylene	0.055	0.065	0.062	88	104	60-130	16.8	30
Acetochlor	1.1	1.3	1.25	87	101	60-130	14.2	30
Anthracene	0.057	0.065	0.062	91	104	60-130	13.8	30
Benzidine	2.3	2.6	6.25	37	41	20-130	10.5	30
Benzo (a) anthracene	0.052	0.061	0.062	84	97	70-130	14.9	30
Benzo (a) pyrene	0.058	0.066	0.062	92	106	70-130	13.7	30
Benzo (b) fluoranthene	0.049	0.057	0.062	79	92	60-130	14.8	30
Benzo (g,h,i) perylene	0.048	0.058	0.062	77	93	70-130	18.7	30
Benzo (k) fluoranthene	0.062	0.076	0.062	99	121	70-130	20.6	30
Benzyl Alcohol	5.3	6.3	6.25	85	100	70-130	16.3	30
1,1-Biphenyl	0.057	0.067	0.062	91	107	60-130	16.9	30
Bis (2-chloroethoxy) Methane	1.1	1.2	1.25	88	99	70-130	11.4	30
Bis (2-chloroethyl) Ether	0.052	0.059	0.062	83	94	60-130	12.3	30
Bis (2-chloroisopropyl) Ether	0.046	0.063	0.062	73	100	60-130	31.6,F2	30
Bis (2-ethylhexyl) Adipate	1.1	1.2	1.25	88	100	60-130	12.6	30
Bis (2-ethylhexyl) Phthalate	0.049	0.056	0.062	79	89	60-130	12.3	30
4-Bromophenyl Phenyl Ether	1.1	1.2	1.25	85	97	60-130	13.1	30
Butylbenzyl Phthalate	0.061	0.066	0.062	97	105	60-130	7.61	30
4-Chloro-3-methylphenol	1.1	1.2	1.25	87	96	70-130	9.98	30
4-Chloroaniline	0.043	0.049	0.062	69	78	40-130	11.5	30
2-Chloronaphthalene	1.1	1.3	1.25	88	105	60-130	18.3	30
2-Chlorophenol	0.060	0.067	0.062	97	108	60-130	10.9	30
4-Chlorophenyl Phenyl Ether	0.99	1.2	1.25	79	96	70-130	19.2	30
Chrysene	0.053	0.062	0.062	85	99	70-130	15.2	30
Dibenzo (a,h) anthracene	0.045	0.055	0.062	72	88	70-130	20.1	30
Dibenzofuran	0.052	0.062	0.062	83	98	60-130	17.2	30
Di-n-butyl Phthalate	0.051	0.057	0.062	81	91	60-130	11.5	30
1,2-Dichlorobenzene	0.94	1.1	1.25	75	88	60-130	15.6	30
1,3-Dichlorobenzene	1.0	1.1	1.25	80	91	60-130	13.1	30
1,4-Dichlorobenzene	1.0	1.1	1.25	81	92	60-130	12.2	30
3,3-Dichlorobenzidine	0.038	0.043	0.062	61	68	40-130	11.6	30
2,4-Dichlorophenol	0.056	0.063	0.062	89	100	60-130	11.4	30
Diethyl Phthalate	0.055	0.066	0.062	89	106	70-130	17.8	30
2,4-Dimethylphenol	1.2	1.4	1.25	99	113	70-130	12.7	30
Dimethyl Phthalate	0.053	0.064	0.062	85	102	70-130	18.1	30
4,6-Dinitro-2-methylphenol	4.9	5.4	6.25	78	87	20-130	11.1	30
2,4-Dinitrophenol	0.81	0.91	1.25	65	73	15-130	11.7	30

(Cont.)



Quality Control Report

Client: Kleinfelder, Inc.	WorkOrder: 2307968
Date Prepared: 07/19/2023	BatchID: 274000
Date Analyzed: 07/19/2023	Extraction Method: SW3550B
Instrument: GC17	Analytical Method: SW8270C
Matrix: Soil	Unit: mg/Kg
Project: 24001500.001A; Norris Creek	Sample ID: MB/LCS/LCSD-274000

QC Summary Report for SW8270C

Analyte	LCS Result	LCSD Result	SPK Val	LCS %REC	LCSD %REC	LCS/LCSD Limits	RPD	RPD Limit
2,4-Dinitrotoluene	0.052	0.062	0.062	83	99	70-130	16.8	30
2,6-Dinitrotoluene	0.050	0.058	0.062	80	92	60-130	14.2	30
Di-n-octyl Phthalate	1.2	1.4	1.25	93	111	60-130	17.6	30
1,2-Diphenylhydrazine	1.3	1.4	1.25	100	113	60-130	11.8	30
Fluoranthene	0.056	0.064	0.062	89	102	70-130	13.4	30
Fluorene	0.059	0.078	0.062	94	124	60-130	27.5	30
Hexachlorobenzene	0.052	0.059	0.062	83	94	70-130	12.7	30
Hexachlorobutadiene	0.054	0.061	0.062	86	98	70-130	12.5	30
Hexachlorocyclopentadiene	5.2	6.0	6.25	83	97	60-130	15.7	30
Hexachloroethane	0.049	0.061	0.062	79	98	70-130	21.2	30
Indeno (1,2,3-cd) pyrene	0.048	0.056	0.062	76	90	70-130	16.4	30
Isophorone	1.0	1.2	1.25	82	96	60-130	15.6	30
1-Methylnaphthalene	0.054	0.061	0.062	86	98	70-130	13.6	30
2-Methylnaphthalene	0.052	0.059	0.062	83	95	70-130	13.2	30
2-Methylphenol (o-Cresol)	1.0	1.3	1.25	84	105	60-130	22.6	30
3 & 4-Methylphenol (m,p-Cresol)	1.1	1.3	1.25	84	100	60-130	17.3	30
Naphthalene	0.051	0.058	0.062	82	93	70-130	12.8	30
2-Nitroaniline	5.9	7.3	6.25	95	116	70-130	20.4	30
3-Nitroaniline	5.5	6.6	6.25	88	106	50-130	18.0	30
4-Nitroaniline	5.1	6.1	6.25	81	98	60-130	18.6	30
Nitrobenzene	1.1	1.3	1.25	87	103	60-130	17.3	30
2-Nitrophenol	5.9	6.6	6.25	94	106	70-130	11.9	30
4-Nitrophenol	5.3	6.2	6.25	84	100	60-130	17.0	30
N-Nitrosodimethylamine	5.2	5.9	6.25	84	95	70-130	12.4	30
N-Nitrosodi-n-propylamine	0.90	1.1	1.25	72	89	60-130	21.4	30
N-Nitrosodiphenylamine	1.2	1.3	1.25	93	104	70-130	11.6	30
Pentachlorophenol	0.26	0.28	0.31	84	91	50-130	8.38	30
Phenanthrene	0.052	0.060	0.062	83	95	60-130	13.9	30
Phenol	0.24	0.27	0.25	97	110	60-130	12.5	30
Pyrene	0.058	0.066	0.062	93	106	70-130	13.5	30
Pyridine	0.80	0.86	1.25	64	69	60-130	7.67	30
2,3,4,6-Tetrachlorophenol	1.0	1.2	1.25	83	98	60-130	16.6	30
1,2,4-Trichlorobenzene	1.1	1.2	1.25	86	99	60-130	13.3	30
2,4,5-Trichlorophenol	0.055	0.064	0.062	88	102	60-130	14.6	30
2,4,6-Trichlorophenol	0.054	0.062	0.062	86	100	60-130	14.8	30

(Cont.)



Quality Control Report

Client:	Kleinfelder, Inc.	WorkOrder:	2307968
Date Prepared:	07/19/2023	BatchID:	274000
Date Analyzed:	07/19/2023	Extraction Method:	SW3550B
Instrument:	GC17	Analytical Method:	SW8270C
Matrix:	Soil	Unit:	mg/Kg
Project:	24001500.001A; Norris Creek	Sample ID:	MB/LCS/LCSD-274000

QC Summary Report for SW8270C

Analyte	LCS Result	LCSD Result	SPK Val	LCS %REC	LCSD %REC	LCS/LCSD Limits	RPD	RPD Limit
Surrogate Recovery								
2-Fluorophenol	1.2	1.3	1.25	99	106	70-130	6.01	30
Phenol-d5	1.2	1.3	1.25	93	103	70-130	10.9	30
Nitrobenzene-d5	1.1	1.3	1.25	85	105	60-130	20.5	30
2-Fluorobiphenyl	1.1	1.3	1.25	87	102	60-130	16.2	30
2,4,6-Tribromophenol	1.2	1.3	1.25	94	105	30-130	11.8	30
4-Terphenyl-d14	1.1	1.3	1.25	89	102	40-130	13.2	30



Quality Control Report

Client: Kleinfelder, Inc.	WorkOrder: 2307968
Date Prepared: 07/19/2023	BatchID: 273962
Date Analyzed: 07/19/2023	Extraction Method: SW3050B
Instrument: ICP-MS6	Analytical Method: SW6020
Matrix: Soil	Unit: mg/kg
Project: 24001500.001A; Norris Creek	Sample ID: MB/LCS/LCSD-273962

QC Summary Report for Metals

Analyte	MB Result	MDL	RL	SPK Val	MB SS %REC	MB SS Limits
Antimony	ND	0.12	0.50	-	-	-
Arsenic	ND	0.11	0.50	-	-	-
Barium	ND	0.71	5.0	-	-	-
Beryllium	ND	0.10	0.50	-	-	-
Cadmium	ND	0.092	0.50	-	-	-
Chromium	ND	0.13	0.50	-	-	-
Cobalt	ND	0.064	0.50	-	-	-
Copper	ND	0.13	0.50	-	-	-
Lead	ND	0.065	0.50	-	-	-
Molybdenum	ND	0.092	0.50	-	-	-
Nickel	ND	0.080	0.50	-	-	-
Selenium	ND	0.21	0.50	-	-	-
Silver	ND	0.057	0.50	-	-	-
Thallium	ND	0.072	0.50	-	-	-
Vanadium	ND	0.11	0.50	-	-	-
Zinc	ND	2.5	5.0	-	-	-
Surrogate Recovery						
Terbium	550			500	110	70-130



Quality Control Report

Client:	Kleinfelder, Inc.	WorkOrder:	2307968
Date Prepared:	07/19/2023	BatchID:	273962
Date Analyzed:	07/19/2023	Extraction Method:	SW3050B
Instrument:	ICP-MS6	Analytical Method:	SW6020
Matrix:	Soil	Unit:	mg/kg
Project:	24001500.001A; Norris Creek	Sample ID:	MB/LCS/LCSD-273962

QC Summary Report for Metals

Analyte	LCS Result	LCSD Result	SPK Val	LCS %REC	LCSD %REC	LCS/LCSD Limits	RPD	RPD Limit
Antimony	52	51	50	105	102	75-125	2.27	20
Arsenic	53	51	50	105	103	75-125	2.30	20
Barium	510	500	500	102	99	75-125	2.48	20
Beryllium	53	53	50	106	105	75-125	0.996	20
Cadmium	51	50	50	102	100	75-125	2.24	20
Chromium	52	50	50	104	100	75-125	3.87	20
Cobalt	52	52	50	104	103	75-125	0.774	20
Copper	52	51	50	103	101	75-125	2.08	20
Lead	51	50	50	102	100	75-125	2.06	20
Molybdenum	52	50	50	103	101	75-125	2.52	20
Nickel	52	50	50	103	100	75-125	2.92	20
Selenium	52	52	50	105	104	75-125	0.895	20
Silver	52	50	50	103	101	75-125	2.64	20
Thallium	51	50	50	102	101	75-125	1.34	20
Vanadium	52	50	50	104	100	75-125	3.78	20
Zinc	510	510	500	103	101	75-125	1.68	20
Surrogate Recovery								
Terbium	540	530	500	108	106	70-130	1.83	20



Quality Control Report

Client: Kleinfelder, Inc.	WorkOrder: 2307968
Date Prepared: 07/17/2023	BatchID: 273785
Date Analyzed: 07/17/2023 - 07/20/2023	Extraction Method: SW5035
Instrument: GC3, GC7	Analytical Method: SW8021B/8015Bm
Matrix: Soil	Unit: mg/Kg
Project: 24001500.001A; Norris Creek	Sample ID: MB/LCS/LCSD-273785

QC Summary Report for SW8021B/8015Bm

Analyte	MB Result	MDL	RL	SPK Val	MB SS %REC	MB SS Limits
TPH(g) (C6-C12)	ND	0.48	1.0	-	-	-
MTBE	ND	0.0025	0.050	-	-	-
Benzene	ND	0.0014	0.0050	-	-	-
Toluene	ND	0.0021	0.0050	-	-	-
Ethylbenzene	ND	0.00093	0.0050	-	-	-
m,p-Xylene	ND	0.0024	0.010	-	-	-
o-Xylene	ND	0.00090	0.0050	-	-	-

Surrogate Recovery

2-Fluorotoluene	0.086		0.1	86	75-134
-----------------	-------	--	-----	----	--------

Analyte	LCS Result	LCSD Result	SPK Val	LCS %REC	LCSD %REC	LCS/LCSD Limits	RPD	RPD Limit
TPH(btex)	0.59	0.57	0.60	98	95	82-118	3.52	20
MTBE	0.088	0.10	0.10	88	102	61-119	14.8	20
Benzene	0.092	0.10	0.10	92	102	77-128	10.1	20
Toluene	0.10	0.10	0.10	101	104	74-132	3.29	20
Ethylbenzene	0.093	0.098	0.10	93	98	84-127	4.78	20
m,p-Xylene	0.20	0.21	0.20	101	104	80-120	2.72	20
o-Xylene	0.092	0.098	0.10	92	98	80-120	5.69	20

Surrogate Recovery

2-Fluorotoluene	0.088	0.092	0.10	88	92	75-134	4.02	20
-----------------	-------	-------	------	----	----	--------	------	----



Quality Control Report

Client: Kleinfelder, Inc.	WorkOrder: 2307968
Date Prepared: 07/18/2023	BatchID: 273664
Date Analyzed: 07/19/2023	Extraction Method: SW7471B
Instrument: AA1	Analytical Method: SW7471B
Matrix: Soil	Unit: mg/Kg
Project: 24001500.001A; Norris Creek	Sample ID: MB/LCS/LCSD-273664

QC Summary Report for Mercury

Analyte	MB Result	MDL	RL			
Mercury	ND	0.0078	0.017	-	-	-

Analyte	LCS Result	LCSD Result	SPK Val	LCS %REC	LCSD %REC	LCS/LCSD Limits	RPD	RPD Limit
Mercury	0.15	0.14	0.17	88	86	80-120	1.35	20



Quality Control Report

Client: Kleinfelder, Inc.	WorkOrder: 2307968
Date Prepared: 07/22/2023	BatchID: 274288
Date Analyzed: 07/24/2023	Extraction Method: CA Title 22
Instrument: ICP-MS5	Analytical Method: SW6020
Matrix: Soil	Unit: mg/L
Project: 24001500.001A; Norris Creek	Sample ID: MB/LCS/LCSD-274288

QC Summary Report for Metals (STLC)

Analyte	MB Result	MDL	RL			
Chromium	ND	0.10	0.10	-	-	-

Analyte	LCS Result	LCSD Result	SPK Val	LCS %REC	LCSD %REC	LCS/LCSD Limits	RPD	RPD Limit
Chromium	10	10	10	103	101	75-125	1.65	20



Quality Control Report

Client: Kleinfelder, Inc.	WorkOrder: 2307968
Date Prepared: 07/18/2023	BatchID: 273959
Date Analyzed: 07/19/2023	Extraction Method: ASTM D2216
Instrument: WetChem	Analytical Method: SW8000
Matrix: Soil	Unit: wet wt%
Project: 24001500.001A; Norris Creek	Sample ID: MB-273959

QC Summary Report for Percent Moisture

Analyte	MB Result	MDL	RL	-	-	-
% Moisture	ND	0.100	0.100	-	-	-



Quality Control Report

Client: Kleinfelder, Inc.	WorkOrder: 2307968
Date Prepared: 07/21/2023	BatchID: 274228
Date Analyzed: 07/24/2023	Extraction Method: ASTM D2216
Instrument: WetChem	Analytical Method: SW8000
Matrix: Soil	Unit: wet wt%
Project: 24001500.001A; Norris Creek	Sample ID: MB-274228 2307968-001A

QC Summary Report for Percent Moisture

Analyte	MB Result	MDL	RL	-	-	-
% Moisture	ND	0.100	0.100	-	-	-

Analyte	SAMP Result	DUP Result	RPD	RPD Limit
% Moisture	18.8	18.3	3.13	15



Quality Control Report

Client: Kleinfelder, Inc.	WorkOrder: 2307968
Date Prepared: 07/19/2023	BatchID: 274032
Date Analyzed: 07/19/2023	Extraction Method: SW9045C
Instrument: WetChem	Analytical Method: SW9045C
Matrix: Water	Unit: pH units @ 25°C
Project: 24001500.001A; Norris Creek	Sample ID: CCV-274032

QC Summary Report for pH

Analyte	CCV Result	CCV Limits
pH	7.00	6.9-7.1



Quality Control Report

Client: Kleinfelder, Inc.
Date Prepared: 07/19/2023
Date Analyzed: 07/19/2023
Instrument: WetChem
Matrix: Water
Project: 24001500.001A; Norris Creek

WorkOrder: 2307968
BatchID: 274038
Extraction Method: SW9045C
Analytical Method: SW9045C
Unit: pH units @ 25°C
Sample ID: CCV-274038

QC Summary Report for pH

Analyte	CCV Result	CCV Limits
pH	7.02	6.9-7.1



Quality Control Report

Client: Kleinfelder, Inc.	WorkOrder: 2307968
Date Prepared: 07/17/2023	BatchID: 273784
Date Analyzed: 07/17/2023 - 07/20/2023	Extraction Method: SW3550B
Instrument: GC6A	Analytical Method: SW8015B
Matrix: Soil	Unit: mg/Kg
Project: 24001500.001A; Norris Creek	Sample ID: MB/LCS/LCSD-273784

QC Report for SW8015B w/out SG Clean-Up

Analyte	MB Result	MDL	RL	SPK Val	MB SS %REC	MB SS Limits
TPH-Diesel (C10-C23)	ND	1.2	2.0	-	-	-
TPH-Motor Oil (C18-C36)	ND	5.0	10	-	-	-
Surrogate Recovery						
C9	24			25	96	70-130

Analyte	LCS Result	LCSD Result	SPK Val	LCS %REC	LCSD %REC	LCS/LCSD Limits	RPD	RPD Limit
TPH-Diesel (C10-C23)	40	37	40	100	93	70-130	7.10	20
Surrogate Recovery								
C9	20	20	25	81	78	70-130	3.67	20



1534 Willow Pass Rd
Pittsburg, CA 94565-1701
(925) 252-9262

WaterTrax CLIP EDF

CHAIN-OF-CUSTODY RECORD

WorkOrder: 2307968

ClientCode: KFO

QuoteID: 233662

EQUIS Dry-Weight Email HardCopy ThirdParty J-flag
 Detection Summary Excel

Report to:

Bob Horwath
Kleinfelder, Inc.
1512 Franklin St, Ste. 100
Oakland, CA 94612
(510) 628-9000 FAX: (510) 628-9009

Email: bhorwath@kleinfelder.com
cc/3rd Party: ZJaco@kleinfelder.com;
PO:
Project: 24001500.001A; Norris Creek

Bill to:

Accounts Payable
Kleinfelder Inc.
1512 Franklin St, Ste. 100
Oakland, CA 94612
AccountsPayableUS@kleinfelder.com

**Requested TATs: 2 days;
5 days;**

Date Received: 07/17/2023
Date Logged: 07/17/2023

Lab ID	ClientSampID	Matrix	Collection Date	Hold	Requested Tests (See legend below)												
					1	2	3	4	5	6	7	8	9	10	11	12	
2307968-001	HA-1-0.5,1.5,2.5,3.5'	Soil	7/17/2023 12:35	<input type="checkbox"/>	A		A	B	A	A	A	A	A	A	A	A	A
2307968-002	HA-2-0.5,1.5,2.5,3.5'	Soil	7/17/2023 13:45	<input type="checkbox"/>	A		A	B	A	A	A	A		A		A	
2307968-003	HA-3-0.5,1.0,2.0,2.5'	Soil	7/17/2023 14:30	<input type="checkbox"/>	A		A	B	A	A	A	A		A		A	
2307968-004	HA-4-0.25,0.5,0.75,1.0'	Soil	7/17/2023 15:20	<input type="checkbox"/>	A		A	B	A	A	A	A		A		A	
2307968-005	HA-5-0.1,0.25,0.4,0.5'	Soil	7/17/2023 15:50	<input type="checkbox"/>	A		A	B	A	A	A	A		A		A	
2307968-021	HA-1-1.0' (#1)	Soil	7/17/2023 12:16	<input type="checkbox"/>		A										A	
2307968-022	HA-2-1.0' (#2)	Soil	7/17/2023 13:22	<input type="checkbox"/>		A										A	
2307968-023	HA-3-1.0' (#3)	Soil	7/17/2023 14:17	<input type="checkbox"/>		A										A	
2307968-024	HA-4-1.0' (#4)	Soil	7/17/2023 15:25	<input type="checkbox"/>		A										A	
2307968-025	HA-5-0.5' (#5)	Soil	7/17/2023 15:55	<input type="checkbox"/>		A										A	

Test Legend:

1	8081PCB_S	2	8260B_E	3	8270_SCSM_S	4	CAM17MS_TTLC_S
5	G-MBTEX_S	6	HG_S	7	PERmoist_S	8	PH_S
9	PRCHARGES	10	PRDisposal Fee	11	PRENCORE SAMPLER	12	TPH(DMO)_S

Project Manager: Christine Askari

Prepared by: Valerie Alfaro

The following SampIDs: 001A, 002A, 003A, 004A, 005A contain testgroup Multi Range_S.

Comments:

NOTE: Soil samples are discarded 60 days after receipt unless other arrangements are made (Water samples are 30 days). Hazardous samples will be returned to client or disposed of at client expense.



WORK ORDER SUMMARY

Client Name: KLEINFELDER, INC.

Project: 24001500.001A; Norris Creek

Work Order: 2307968

Client Contact: Bob Horwath

QC Level: LEVEL 2

Contact's Email: bhorwath@kleinfelder.com

Comments: STLC Cr added to 001 7/20/23 Rush TAT.

Date Logged: 7/17/2023

WaterTrax CLIP EDF Excel EQUIS Email HardCopy ThirdParty J-flag

LabID	ClientSampID	Matrix	Test Name	Containers /Composites	Bottle & Preservative	U**	Head Space	Dry-Weight	Collection Date & Time	TAT	Test Due Date	Sediment Content	Hold	Sub Out
001A	HA-1-0.5,1.5,2.5,3.5'	Soil	SW9045C (pH)	4 / (4:1)	16OZ GJ, Unpres	<input type="checkbox"/>	<input type="checkbox"/>	<input type="checkbox"/>	7/17/2023 12:35	5 days	7/24/2023		<input type="checkbox"/>	<input type="checkbox"/>
			SW 8000 (Percent Moisture)			<input type="checkbox"/>	<input type="checkbox"/>	<input type="checkbox"/>		5 days	7/24/2023		<input type="checkbox"/>	<input type="checkbox"/>
			SW7471B (Mercury)			<input type="checkbox"/>	<input type="checkbox"/>	<input type="checkbox"/>		5 days	7/24/2023		<input type="checkbox"/>	<input type="checkbox"/>
			Multi-Range TPH Gas, Diesel, and Motor Oil			<input type="checkbox"/>	<input type="checkbox"/>	<input type="checkbox"/>		5 days	7/24/2023		<input type="checkbox"/>	<input type="checkbox"/>
			SW8270C (SVOCs)			<input type="checkbox"/>	<input type="checkbox"/>	<input type="checkbox"/>		5 days	7/24/2023		<input type="checkbox"/>	<input type="checkbox"/>
			SW8081A/8082 (OC Pesticides+PCBs)			<input type="checkbox"/>	<input type="checkbox"/>	<input type="checkbox"/>		5 days	7/24/2023		<input type="checkbox"/>	<input type="checkbox"/>
001B	HA-1-0.5,1.5,2.5,3.5'	Soil	SW6020 (Metals) (STLC) <Chromium>	4 / (4:1)	16OZ GJ, Unpres	<input type="checkbox"/>	<input type="checkbox"/>	<input type="checkbox"/>	7/17/2023 12:35	1 day*	7/25/2023		<input type="checkbox"/>	<input type="checkbox"/>
			SW6020 (CAM 17)			<input type="checkbox"/>	<input type="checkbox"/>	<input type="checkbox"/>		2 days	7/19/2023		<input type="checkbox"/>	<input type="checkbox"/>
002A	HA-2-0.5,1.5,2.5,3.5'	Soil	SW9045C (pH)	4 / (4:1)	16OZ GJ, Unpres	<input type="checkbox"/>	<input type="checkbox"/>	<input type="checkbox"/>	7/17/2023 13:45	5 days	7/24/2023		<input type="checkbox"/>	<input type="checkbox"/>
			SW 8000 (Percent Moisture)			<input type="checkbox"/>	<input type="checkbox"/>	<input type="checkbox"/>		5 days	7/24/2023		<input type="checkbox"/>	<input type="checkbox"/>
			SW7471B (Mercury)			<input type="checkbox"/>	<input type="checkbox"/>	<input type="checkbox"/>		5 days	7/24/2023		<input type="checkbox"/>	<input type="checkbox"/>
			Multi-Range TPH Gas, Diesel, and Motor Oil			<input type="checkbox"/>	<input type="checkbox"/>	<input type="checkbox"/>		5 days	7/24/2023		<input type="checkbox"/>	<input type="checkbox"/>
			SW8270C (SVOCs)			<input type="checkbox"/>	<input type="checkbox"/>	<input type="checkbox"/>		5 days	7/24/2023		<input type="checkbox"/>	<input type="checkbox"/>

NOTES: * STLC and TCLP extractions require 2 days to complete; therefore, all TATs begin after the extraction is completed (i.e., One-day TAT yields results in 3 days from sample submission).

- Organic extracts are held for 40 days before disposal; Inorganic extract are held for 30 days.

- MAI assumes that all material present in the provided sampling container is considered part of the sample - MAI does not exclude any material from the sample prior to sample preparation unless requested in writing by the client.

U** = An unpreserved container was received for a method that suggests a preservation in order to extend hold time for analysis.



WORK ORDER SUMMARY

Client Name: KLEINFELDER, INC.

Project: 24001500.001A; Norris Creek

Work Order: 2307968

Client Contact: Bob Horwath

QC Level: LEVEL 2

Contact's Email: bhorwath@kleinfelder.com

Comments: STLC Cr added to 001 7/20/23 Rush TAT.

Date Logged: 7/17/2023

WaterTrax CLIP EDF Excel EQUIS Email HardCopy ThirdParty J-flag

LabID	ClientSampID	Matrix	Test Name	Containers /Composites	Bottle & Preservative	U**	Head Space	Dry-Weight	Collection Date & Time	TAT	Test Due Date	Sediment Content	Hold	Sub Out		
002A	HA-2-0.5,1.5,2.5,3.5'	Soil	SW8081A/8082 (OC Pesticides+PCBs)	4 / (4:1)	16OZ GJ, Unpres	<input type="checkbox"/>	<input type="checkbox"/>	<input type="checkbox"/>	7/17/2023 13:45	5 days	7/24/2023		<input type="checkbox"/>	<input type="checkbox"/>		
002B	HA-2-0.5,1.5,2.5,3.5'	Soil	SW6020 (CAM 17)	4 / (4:1)	16OZ GJ, Unpres	<input type="checkbox"/>	<input type="checkbox"/>	<input type="checkbox"/>	7/17/2023 13:45	2 days	7/19/2023		<input type="checkbox"/>	<input type="checkbox"/>		
003A	HA-3-0.5,1.0,2.0,2.5'	Soil	SW9045C (pH)	4 / (4:1)	16OZ GJ, Unpres	<input type="checkbox"/>	<input type="checkbox"/>	<input type="checkbox"/>	7/17/2023 14:30	5 days	7/24/2023		<input type="checkbox"/>	<input type="checkbox"/>		
			SW 8000 (Percent Moisture)			<input type="checkbox"/>	<input type="checkbox"/>	<input type="checkbox"/>				5 days	7/24/2023		<input type="checkbox"/>	<input type="checkbox"/>
			SW7471B (Mercury)			<input type="checkbox"/>	<input type="checkbox"/>	<input type="checkbox"/>				5 days	7/24/2023		<input type="checkbox"/>	<input type="checkbox"/>
			Multi-Range TPH Gas, Diesel, and Motor Oil			<input type="checkbox"/>	<input type="checkbox"/>	<input type="checkbox"/>				5 days	7/24/2023		<input type="checkbox"/>	<input type="checkbox"/>
			SW8270C (SVOCs)			<input type="checkbox"/>	<input type="checkbox"/>	<input type="checkbox"/>				5 days	7/24/2023		<input type="checkbox"/>	<input type="checkbox"/>
			SW8081A/8082 (OC Pesticides+PCBs)			<input type="checkbox"/>	<input type="checkbox"/>	<input type="checkbox"/>		5 days	7/24/2023		<input type="checkbox"/>	<input type="checkbox"/>		
003B	HA-3-0.5,1.0,2.0,2.5'	Soil	SW6020 (CAM 17)	4 / (4:1)	16OZ GJ, Unpres	<input type="checkbox"/>	<input type="checkbox"/>	<input type="checkbox"/>	7/17/2023 14:30	2 days	7/19/2023		<input type="checkbox"/>	<input type="checkbox"/>		
004A	HA-4-0.25,0.5,0.75,1.0'	Soil	SW9045C (pH)	4 / (4:1)	16OZ GJ, Unpres	<input type="checkbox"/>	<input type="checkbox"/>	<input type="checkbox"/>	7/17/2023 15:20	5 days	7/24/2023		<input type="checkbox"/>	<input type="checkbox"/>		
			SW 8000 (Percent Moisture)			<input type="checkbox"/>	<input type="checkbox"/>	<input type="checkbox"/>				5 days	7/24/2023		<input type="checkbox"/>	<input type="checkbox"/>
			SW7471B (Mercury)			<input type="checkbox"/>	<input type="checkbox"/>	<input type="checkbox"/>				5 days	7/24/2023		<input type="checkbox"/>	<input type="checkbox"/>
			Multi-Range TPH Gas, Diesel, and Motor Oil			<input type="checkbox"/>	<input type="checkbox"/>	<input type="checkbox"/>				5 days	7/24/2023		<input type="checkbox"/>	<input type="checkbox"/>

NOTES: * STLC and TCLP extractions require 2 days to complete; therefore, all TATs begin after the extraction is completed (i.e., One-day TAT yields results in 3 days from sample submission).

- Organic extracts are held for 40 days before disposal; Inorganic extract are held for 30 days.

- MAI assumes that all material present in the provided sampling container is considered part of the sample - MAI does not exclude any material from the sample prior to sample preparation unless requested in writing by the client.

U** = An unpreserved container was received for a method that suggests a preservation in order to extend hold time for analysis.



WORK ORDER SUMMARY

Client Name: KLEINFELDER, INC.
Client Contact: Bob Horwath
Contact's Email: bhorwath@kleinfelder.com

Project: 24001500.001A; Norris Creek

Work Order: 2307968
QC Level: LEVEL 2
Date Logged: 7/17/2023

Comments: STLC Cr added to 001 7/20/23 Rush TAT.

WaterTrax CLIP EDF Excel EQUIS Email HardCopy ThirdParty J-flag

LabID	ClientSampID	Matrix	Test Name	Containers /Composites	Bottle & Preservative	U**	Head Space	Dry-Weight	Collection Date & Time	TAT	Test Due Date	Sediment Content	Hold	Sub Out
004A	HA-4-0.25,0.5,0.75,1.0'	Soil	SW8270C (SVOCs)	4 / (4:1)	16OZ GJ, Unpres	<input type="checkbox"/>	<input type="checkbox"/>	<input type="checkbox"/>	7/17/2023 15:20	5 days	7/24/2023		<input type="checkbox"/>	<input type="checkbox"/>
			SW8081A/8082 (OC Pesticides+PCBs)			<input type="checkbox"/>	<input type="checkbox"/>	<input type="checkbox"/>		5 days	7/24/2023		<input type="checkbox"/>	<input type="checkbox"/>
004B	HA-4-0.25,0.5,0.75,1.0'	Soil	SW6020 (CAM 17)	4 / (4:1)	16OZ GJ, Unpres	<input type="checkbox"/>	<input type="checkbox"/>	<input type="checkbox"/>	7/17/2023 15:20	2 days	7/19/2023		<input type="checkbox"/>	<input type="checkbox"/>
005A	HA-5-0.1,0.25,0.4,0.5'	Soil	SW9045C (pH)	4 / (4:1)	16OZ GJ, Unpres	<input type="checkbox"/>	<input type="checkbox"/>	<input type="checkbox"/>	7/17/2023 15:50	5 days	7/24/2023		<input type="checkbox"/>	<input type="checkbox"/>
			SW 8000 (Percent Moisture)			<input type="checkbox"/>	<input type="checkbox"/>	<input type="checkbox"/>		5 days	7/24/2023		<input type="checkbox"/>	<input type="checkbox"/>
			SW7471B (Mercury)			<input type="checkbox"/>	<input type="checkbox"/>	<input type="checkbox"/>		5 days	7/24/2023		<input type="checkbox"/>	<input type="checkbox"/>
			Multi-Range TPH Gas, Diesel, and Motor Oil			<input type="checkbox"/>	<input type="checkbox"/>	<input type="checkbox"/>		5 days	7/24/2023		<input type="checkbox"/>	<input type="checkbox"/>
			SW8270C (SVOCs)			<input type="checkbox"/>	<input type="checkbox"/>	<input type="checkbox"/>		5 days	7/24/2023		<input type="checkbox"/>	<input type="checkbox"/>
			SW8081A/8082 (OC Pesticides+PCBs)			<input type="checkbox"/>	<input type="checkbox"/>	<input type="checkbox"/>		5 days	7/24/2023		<input type="checkbox"/>	<input type="checkbox"/>
005B	HA-5-0.1,0.25,0.4,0.5'	Soil	SW6020 (CAM 17)	4 / (4:1)	16OZ GJ, Unpres	<input type="checkbox"/>	<input type="checkbox"/>	<input type="checkbox"/>	7/17/2023 15:50	2 days	7/19/2023		<input type="checkbox"/>	<input type="checkbox"/>
006A	HA-2-1.5'	Soil		1	16OZ GJ, Unpres	<input type="checkbox"/>	<input type="checkbox"/>	<input type="checkbox"/>	7/17/2023 13:30				<input checked="" type="checkbox"/>	<input type="checkbox"/>
007A	HA-2-2.5'	Soil		1	16OZ GJ, Unpres	<input type="checkbox"/>	<input type="checkbox"/>	<input type="checkbox"/>	7/17/2023 13:35				<input checked="" type="checkbox"/>	<input type="checkbox"/>
008A	HA-2-3.5'	Soil		1	16OZ GJ, Unpres	<input type="checkbox"/>	<input type="checkbox"/>	<input type="checkbox"/>	7/17/2023 13:45				<input checked="" type="checkbox"/>	<input type="checkbox"/>

NOTES: * STLC and TCLP extractions require 2 days to complete; therefore, all TATs begin after the extraction is completed (i.e., One-day TAT yields results in 3 days from sample submission).

- Organic extracts are held for 40 days before disposal; Inorganic extract are held for 30 days.

- MAI assumes that all material present in the provided sampling container is considered part of the sample - MAI does not exclude any material from the sample prior to sample preparation unless requested in writing by the client.

U** = An unpreserved container was received for a method that suggests a preservation in order to extend hold time for analysis.



WORK ORDER SUMMARY

Client Name: KLEINFELDER, INC.

Project: 24001500.001A; Norris Creek

Work Order: 2307968

Client Contact: Bob Horwath

QC Level: LEVEL 2

Contact's Email: bhorwath@kleinfelder.com

Comments: STLC Cr added to 001 7/20/23 Rush TAT.

Date Logged: 7/17/2023

WaterTrax CLIP EDF Excel EQUIS Email HardCopy ThirdParty J-flag

LabID	ClientSampID	Matrix	Test Name	Containers /Composites	Bottle & Preservative	U**	Head Space	Dry-Weight	Collection Date & Time	TAT	Test Due Date	Sediment Content	Hold	Sub Out
009A	HA-3-0.5'	Soil		1	16OZ GJ, Unpres	<input type="checkbox"/>	<input type="checkbox"/>	<input type="checkbox"/>	7/17/2023 14:10				<input checked="" type="checkbox"/>	<input type="checkbox"/>
010A	HA-3-1.0'	Soil		1	16OZ GJ, Unpres	<input type="checkbox"/>	<input type="checkbox"/>	<input type="checkbox"/>	7/17/2023 14:15				<input checked="" type="checkbox"/>	<input type="checkbox"/>
011A	HA-3-2.0'	Soil		1	16OZ GJ, Unpres	<input type="checkbox"/>	<input type="checkbox"/>	<input type="checkbox"/>	7/17/2023 14:20				<input checked="" type="checkbox"/>	<input type="checkbox"/>
012A	HA-3-2.5'	Soil		1	16OZ GJ, Unpres	<input type="checkbox"/>	<input type="checkbox"/>	<input type="checkbox"/>	7/17/2023 14:30				<input checked="" type="checkbox"/>	<input type="checkbox"/>
013A	HA-4-0.25'	Soil		1	16OZ GJ, Unpres	<input type="checkbox"/>	<input type="checkbox"/>	<input type="checkbox"/>	7/17/2023 14:50				<input checked="" type="checkbox"/>	<input type="checkbox"/>
014A	HA-4-0.5'	Soil		1	16OZ GJ, Unpres	<input type="checkbox"/>	<input type="checkbox"/>	<input type="checkbox"/>	7/17/2023 15:00				<input checked="" type="checkbox"/>	<input type="checkbox"/>
015A	HA-4-0.75'	Soil		1	16OZ GJ, Unpres	<input type="checkbox"/>	<input type="checkbox"/>	<input type="checkbox"/>	7/17/2023 15:10				<input checked="" type="checkbox"/>	<input type="checkbox"/>
016A	HA-4-1.0'	Soil		1	16OZ GJ, Unpres	<input type="checkbox"/>	<input type="checkbox"/>	<input type="checkbox"/>	7/17/2023 15:20				<input checked="" type="checkbox"/>	<input type="checkbox"/>
017A	HA-5-0.1'	Soil		1	16OZ GJ, Unpres	<input type="checkbox"/>	<input type="checkbox"/>	<input type="checkbox"/>	7/17/2023 15:35				<input checked="" type="checkbox"/>	<input type="checkbox"/>
018A	HA-5-0.25'	Soil		1	16OZ GJ, Unpres	<input type="checkbox"/>	<input type="checkbox"/>	<input type="checkbox"/>	7/17/2023 15:40				<input checked="" type="checkbox"/>	<input type="checkbox"/>
019A	HA-5-0.4'	Soil		1	16OZ GJ, Unpres	<input type="checkbox"/>	<input type="checkbox"/>	<input type="checkbox"/>	7/17/2023 15:45				<input checked="" type="checkbox"/>	<input type="checkbox"/>
020A	HA-5-0.5'	Soil		1	16OZ GJ, Unpres	<input type="checkbox"/>	<input type="checkbox"/>	<input type="checkbox"/>	7/17/2023 15:50				<input checked="" type="checkbox"/>	<input type="checkbox"/>
021A	HA-1-1.0' (#1)	Soil	SW8260B (VOCs) (Encore)	1	Encore Sampler	<input type="checkbox"/>	<input type="checkbox"/>	<input type="checkbox"/>	7/17/2023 12:16	5 days	7/24/2023		<input type="checkbox"/>	<input type="checkbox"/>
022A	HA-2-1.0' (#2)	Soil	SW8260B (VOCs) (Encore)	1	Encore Sampler	<input type="checkbox"/>	<input type="checkbox"/>	<input type="checkbox"/>	7/17/2023 13:22	5 days	7/24/2023		<input type="checkbox"/>	<input type="checkbox"/>

NOTES: * STLC and TCLP extractions require 2 days to complete; therefore, all TATs begin after the extraction is completed (i.e., One-day TAT yields results in 3 days from sample submission).

- Organic extracts are held for 40 days before disposal; Inorganic extract are held for 30 days.

- MAI assumes that all material present in the provided sampling container is considered part of the sample - MAI does not exclude any material from the sample prior to sample preparation unless requested in writing by the client.

U** = An unpreserved container was received for a method that suggests a preservation in order to extend hold time for analysis.



WORK ORDER SUMMARY

Client Name: KLEINFELDER, INC.

Project: 24001500.001A; Norris Creek

Work Order: 2307968

Client Contact: Bob Horwath

QC Level: LEVEL 2

Contact's Email: bhorwath@kleinfelder.com

Comments: STLC Cr added to 001 7/20/23 Rush TAT.

Date Logged: 7/17/2023

WaterTrax CLIP EDF Excel EQUIS Email HardCopy ThirdParty J-flag

LabID	ClientSampID	Matrix	Test Name	Containers /Composites	Bottle & Preservative	U**	Head Space	Dry-Weight	Collection Date & Time	TAT	Test Due Date	Sediment Content	Hold	Sub Out
023A	HA-3-1.0' (#3)	Soil	SW8260B (VOCs) (Encore)	1	Encore Sampler	<input type="checkbox"/>	<input type="checkbox"/>	<input type="checkbox"/>	7/17/2023 14:17	5 days	7/24/2023		<input type="checkbox"/>	<input type="checkbox"/>
024A	HA-4-1.0' (#4)	Soil	SW8260B (VOCs) (Encore)	1	Encore Sampler	<input type="checkbox"/>	<input type="checkbox"/>	<input type="checkbox"/>	7/17/2023 15:25	5 days	7/24/2023		<input type="checkbox"/>	<input type="checkbox"/>
025A	HA-5-0.5' (#5)	Soil	SW8260B (VOCs) (Encore)	1	Encore Sampler	<input type="checkbox"/>	<input type="checkbox"/>	<input type="checkbox"/>	7/17/2023 15:55	5 days	7/24/2023		<input type="checkbox"/>	<input type="checkbox"/>

NOTES: * STLC and TCLP extractions require 2 days to complete; therefore, all TATs begin after the extraction is completed (i.e., One-day TAT yields results in 3 days from sample submission).

- Organic extracts are held for 40 days before disposal; Inorganic extract are held for 30 days.

- MAI assumes that all material present in the provided sampling container is considered part of the sample - MAI does not exclude any material from the sample prior to sample preparation unless requested in writing by the client.

U** = An unpreserved container was received for a method that suggests a preservation in order to extend hold time for analysis.

RUSH

2 DAY RUSH FOR METALS ONLY

MAI Work Order # 2307968



McCAMPBELL ANALYTICAL, INC.

1534 Willow Pass Rd. Pittsburg, Ca. 94565-1701

Telephone: (877) 252-9262 / Fax: (925) 252-9269

www.mccampbell.com

main@mccampbell.com

CHAIN OF CUSTODY RECORD

Turn Around Time: 1 Day Rush	<input checked="" type="checkbox"/> 2 Day Rush	3 Day Rush	STD <input checked="" type="checkbox"/>	Quote # <u>233213</u>
J-Flag / MDL	ESL	Cleanup Approved	Dry Weight	Bottle Order #
Delivery Format: PDF	GeoTracker EDF	EDD	Write On (DW)	Detect Summary

Report To: Curtis Conti, Zach Jaco, Bob Horwath

Bill To: Kleinfelder AP

Company: Kleinfelder

Email: cconti@kleinfelder.com, ZJaco@kleinfelder.com, BHorwath@kleinfelder.com

Alt Email: Tele: 510-715-9237

Project Name: 1900 Berryessa RV Trailer NORRIS CREEK Project #: 240015-00-001A
24000669-001A

Project Location: San Jose, CA SAN RAMON, CA PO #

Sampler Signature: Zach Jaco

Analysis Requested

SAMPLE ID Location / Field Point	Sampling		#Containers	Matrix	Preservative	PH	TPH-g, l, r, t, w, b (8015M)	THE 22 METALS (6010B)	Hg (7471)	OCs (8081B)	PCBs (8082)	Moisture (8000)	SVOCs (8270C)	STLC CR
	Date	Time												
HA-1-0.5'	7/17/23	12:05	1	Soil	ICE	X	X	X	X	X	X	X	X	X
HA-1-1.5'		12:20												
HA-1-2.5'		12:28												
HA-1-3.5'		12:35												
HA-2-0.5'		13:17												
HA-2-0.5' HA-2-1.5'		13:30												
HA-2-2.5'		13:35												
HA-2-3.5'		13:45												
HA-3-0.5'		14:10												
HA-3-1.0'		14:15												

MAI clients MUST disclose any dangerous chemicals known to be present in their submitted samples in concentrations that may cause immediate harm or serious future health endangerment as a result of brief, gloved, open air, sample handling by MAI staff. Non-disclosure incurs an immediate \$250 surcharge and the client is subject to full legal liability for harm suffered. Thank you for your understanding and for allowing us to work safely.

* If metals are requested for water samples and the water type (Matrix) is not specified on the chain of custody, MAI will default to metals by E200.8.

Please provide an adequate volume of sample. If the volume is not sufficient for a MS/MSD a LCS/LCSD will be prepared in its place and noted in the report.

Relinquished By / Company Name	Date	Time	Received By / Company Name	Date	Time
<u>Zach Jaco</u>	7/17/23	1800	<u>Nick</u>	7/17/23	1800

Comments / Instructions
METALS RUSH
(FOR POTENTIAL STLC + TELP)
Added 7/20/23 RUSH

Matrix Code: DW=Drinking Water, GW=Ground Water, WW=Waste Water, SW=Seawater, S=Soil, SL=Sludge, A=Air, WP=Wipe, O=Other

Preservative Code: 1=4°C 2=HCl 3=H₂SO₄ 4=HNO₃ 5=NaOH 6=ZnOAc/NaOH 7=None

*4pt camps per phone call w/zach. 7/18/23

Temp 3.9 °C Initials WET

RUSH

2 DAY RUSH FOR METALS ONLY
MAI Work Order # 2307968

McCAMPBELL ANALYTICAL, INC. 1534 Willow Pass Rd. Pittsburg, Ca. 94565-1701 Telephone: (877) 252-9262 / Fax: (925) 252-9269 www.mccampbell.com main@mccampbell.com						CHAIN OF CUSTODY RECORD Turn Around Time: 1 Day Rush <input type="checkbox"/> 2 Day Rush <input checked="" type="checkbox"/> 3 Day Rush <input type="checkbox"/> STD <input checked="" type="radio"/> Quote # 233213 J-Flag / MDL _____ ESL _____ Cleanup Approved <input type="checkbox"/> Dry Weight <input type="checkbox"/> Bottle Order # _____ Delivery Format: PDF _____ GeoTracker EDF _____ EDD _____ Write On (DW) _____ Detect Summary _____															
Report To: Curtis Conti , Zach Jaco, Bob Horwath Bill To: Kleinfelder AP Company: Kleinfelder Email: ccont@kleinfelder.com , ZJaco@kleinfelder.com, BHorwath@kleinfelder.com Alt Email: _____ Tele: 510-715-9237 Project Name: 1900 Berryessa RV Trailer NORRIS CREEK Project #: 240015-00-001A 24000668-001A Project Location: San Jose, CA SAN ZAMON, CA PO # _____ Sampler Signature: Zueck						Analysis Requested PH TPH-g, l, tmo (8018M) THE 22 METALS (6010B) Hg (7471) OCPs (8081B) PCBs (8082) Moisture (8000) SVOCs (8270C)															
SAMPLE ID Location / Field Point	Sampling		#Containers	Matrix	Preservative																
	Date	Time																			
HA-1-0.5'	7/17/23	12:05	1	Spil	ICE	X	X	X	X	X	X	X	X								
HA-1-1.5'		12:20																			
HA-1-2.5'		12:28																			
HA-1-3.5'		12:35																			
HA-2-0.5'		13:17																			
HA-2-0.5' HA-2-1.5'		13:30																			
HA-2-2.5'		13:35																			
HA-2-3.5'		13:45																			
HA-3-0.5'		14:10																			
HA-3-1.0'		14:15																			
MAI clients MUST disclose any dangerous chemicals known to be present in their submitted samples in concentrations that may cause immediate harm or serious future health endangerment as a result of brief, gloved, open air, sample handling by MAI staff. Non-disclosure incurs an immediate \$250 surcharge and the client is subject to full legal liability for harm suffered. Thank you for your understanding and for allowing us to work safely.																					
* If metals are requested for water samples and the water type (Matrix) is not specified on the chain of custody, MAI will default to metals by E200.8.												Comments / Instructions METALS RUSH (FOR POTENTIAL) STLC + TELP									
Please provide an adequate volume of sample. If the volume is not sufficient for a MS/MSD a LCS/LCSD will be prepared in its place and noted in the report.																					
Relinquished By / Company Name Zueck				Date 7/17/23		Time 1800		Received By / Company Name Zach Jaco				Date 7/17/23		Time 1800							
Matrix Code: DW=Drinking Water, GW=Ground Water, WW=Waste Water, SW=Seawater, S=Soil, SL=Sludge, A=Air, WP=Wipe, O=Other Preservative Code: 1=4°C 2=HCl 3=H ₂ SO ₄ 4=HNO ₃ 5=NaOH 6=ZnOAc/NaOH 7=None *4pt comps per phone Temp 3.9 °C Initials wet Call w/zach. At 7/18/23																					

2 DAY RUSH ON METALS ONLY

McCAMPBELL ANALYTICAL, INC.
 1534 Willow Pass Rd. Pittsburg, Ca. 94565-1701
 Telephone: (877) 252-9262 / Fax: (925) 252-9269
www.mccampbell.com main@mccampbell.com

CHAIN OF CUSTODY RECORD									
Turn Around Time: 1 Day Rush	<u>2 Day Rush</u>	3 Day Rush	STD	●	Quote #	233213			
J-Flag / MDL	ESL	Cleanup Approved	Dry Weight	Bottle Order #					
Delivery Format: PDF	GeoTracker EDF	EDD	Write On (DW)	Detect Summary					

Report To: Curtis Conti, Zach Jaco, Bob Horwath Bill To: Kleinfelder AP
 Company: Kleinfelder
 Email: cconti@kleinfelder.com, ZJaco@kleinfelder.com, BHorwath@kleinfelder.com
 Alt Email: Tele: 510-715-9237
 Project Name: 1300 Berryessa RV Trailer NORRIS CREEK Project #: 24001500-001A
 Project Location: San Jose, CA SAN RAMON, CA PO #
 Sampler Signature: [Signature]

Analysis Requested

SAMPLE ID Location / Field Point	Sampling		#Containers	Matrix	Preservative
	Date	Time			
HA-3-2.0'	7/17/23	14:20	1	Soil	ICE
HA-3-2.5'		14:30			
HA-4-0.25'	14:52	15:00			
HA-4-0.5'		15:00			
HA-4-0.75'		15:10			
HA-4-1.0'		15:20			
HA-5-0.1'		15:35			
HA-5-0.25'		15:40			
HA-5-0.4'		15:45			
HA-5-0.5'		15:50			

P	H	TPH-g, d, & mo (8015M)	TITLE 22 METALS (6010B)	Hg (7471)	OCPS (8081B)	PCBS (8082)	MOISTURE (8000)	SVOCs (8270C)												
X	X	X	X	X	X	X	X	X												

MAI clients MUST disclose any dangerous chemicals known to be present in their submitted samples in concentrations that may cause immediate harm or serious future health endangerment as a result of brief, gloved, open air, sample handling by MAI staff. Non-disclosure incurs an immediate \$250 surcharge and the client is subject to full legal liability for harm suffered. Thank you for your understanding and for allowing us to work safely.


* If metals are requested for water samples and the water type (Matrix) is not specified on the chain of custody, MAI will default to metals by E200.8.

Please provide an adequate volume of sample. If the volume is not sufficient for a MS/MSD a LCS/LCSD will be prepared in its place and noted in the report.

Relinquished By / Company Name	Date	Time	Received By / Company Name	Date	Time
<u>[Signature]</u>	7/17/23	18:00	<u>[Signature]</u>	7/17/23	18:00

Comments / Instructions
METALS RUSH
(FOR POTENTIAL)
STLC + TELP

Matrix Code: DW=Drinking Water, GW=Ground Water, WW=Waste Water, SW=Seawater, S=Soil, SL=Sludge, A=Air, WP=Wipe, O=Other
 Preservative Code: 1=4°C 2=HCl 3=H₂SO₄ 4=HNO₃ 5=NaOH 6=ZnOAc/NaOH 7=None Temp _____ °C Initials _____

 McCAMPBELL ANALYTICAL, INC. 1534 Willow Pass Rd. Pittsburg, Ca. 94565-1701 Telephone: (877) 252-9262 / Fax: (925) 252-9269 www.mccampbell.com main@mccampbell.com						CHAIN OF CUSTODY RECORD														
						Turn Around Time: 1 Day Rush			2 Day Rush			3 Day Rush			STD ●		Quote #		---23219---	
						J-Flag / MDL		ESL		Cleanup Approved				Dry Weight		Bottle Order #				
						Delivery Format: PDF		GeoTracker EDF				EDD		Write On (DW)		Detect Summary				
Report To: Curtis Conti, Zach Jaco, Bob Horwath Bill To: Kleinfelder AP						Analysis Requested														
Company: Kleinfelder						<div style="font-size: 2em; font-weight: bold; color: blue;">VOCs (8760B)</div>														
Email: cconti@kleinfelder.com , ZJaco@kleinfelder.com, BHorwath@kleinfelder.com																				
Alt Email: Tele: 510-715-9237																				
Project Name: 1300 Berryessa RV Trailer NORRIS CREEK Project #: 24000669.001A																				
Project Location: San Jose, CA SAN RAMON, CA PO # 24001500.001A																				
Sampler Signature:																				
SAMPLE ID Location / Field Point		Sampling Date Time		#Containers	Matrix	Preservative														
HA-1-1.0' (#1)		7/17/23 12:16		EXPOSE	Soil	ICE	x													
HA-2-1.0' (#2)		13:22					↓													
HA-3-1.0' (#3)		14:17					↓													
HA-4-1.0' (#4)		15:25					↓													
HA-5-0.5' (#5)		15:55					↓													
MAI clients MUST disclose any dangerous chemicals known to be present in their submitted samples in concentrations that may cause immediate harm or serious future health endangerment as a result of brief, gloved, open air, sample handling by MAI staff. Non-disclosure incurs an immediate \$250 surcharge and the client is subject to full legal liability for harm suffered. Thank you for your understanding and for allowing us to work safely.																				
* If metals are requested for water samples and the water type (Matrix) is not specified on the chain of custody, MAI will default to metals by E200.8.												Comments / Instructions								
Please provide an adequate volume of sample. If the volume is not sufficient for a MS/MSD a LCS/LCSD will be prepared in its place and noted in the report.																				
Relinquished By / Company Name						Date		Time		Received By / Company Name						Date		Time		
<i>Zach Jaco</i>						7/17/23		18:00		<i>Nick G</i>						7/17/23		1800		

Matrix Code: DW=Drinking Water, GW=Ground Water, WW=Waste Water, SW=Seawater, S=Soil, SL=Sludge, A=Air, WP=Wipe, O=Other
 Preservative Code: 1=4°C 2=HCl 3=H₂SO₄ 4=HNO₃ 5=NaOH 6=ZnOAc/NaOH 7=None

Temp _____ °C Initials _____



Sample Receipt Checklist

Client Name: Kleinfelder, Inc.
Project: 24001500.001A; Norris Creek
WorkOrder No: 2307968 Matrix: Soil
Carrier: Client Drop-In

Date and Time Received: 7/17/2023 18:00
Date Logged: 7/17/2023
Received by: Valerie Alfaro
Logged by: Valerie Alfaro

Chain of Custody (COC) Information

Chain of custody present? Yes [checked] No []
Chain of custody signed when relinquished and received? Yes [checked] No []
Chain of custody agrees with sample labels? Yes [checked] No []
Sample IDs noted by Client on COC? Yes [checked] No []
Date and Time of collection noted by Client on COC? Yes [checked] No []
Sampler's name noted on COC? Yes [checked] No []
COC agrees with Quote? Yes [checked] No [] NA []

Sample Receipt Information

Custody seals intact on shipping container/cooler? Yes [] No [] NA [checked]
Custody seals intact on sample bottles? Yes [] No [] NA [checked]
Shipping container/cooler in good condition? Yes [checked] No []
Samples in proper containers/bottles? Yes [checked] No []
Sample containers intact? Yes [checked] No []
Sufficient sample volume for indicated test? Yes [checked] No []

Sample Preservation and Hold Time (HT) Information

All samples received within holding time? Yes [checked] No [] NA []
Samples Received on Ice? Yes [checked] No []

(Ice Type: WET ICE)

Sample/Temp Blank temperature Temp: 3.9°C NA []
ZHS conditional analyses: VOA meets zero headspace requirement (VOCs, TPHg/BTEX, RSK)? Yes [] No [] NA [checked]
Sample labels checked for correct preservation? Yes [checked] No []
pH acceptable upon receipt (Metal: <2; Nitrate 353.2/4500NO3: <2; 522: <4; 218.7: >8)? Yes [] No [] NA [checked]

UCMR Samples:

pH tested and acceptable upon receipt (200.7: ≤2; 533: 6 - 8; 537.1: 6 - 8)? Yes [] No [] NA [checked]
Free Chlorine tested and acceptable upon receipt (<0.1mg/L) [not applicable to 200.7]? Yes [] No [] NA [checked]

Comments:

APPENDIX B

As-Built Plans for Norris Creek

(For Reference Only)

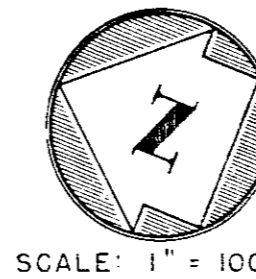
PLANS

FOR THE CONSTRUCTION OF

NORRIS CREEK

Volk - McLain Communities, Incorporated,
CONTRA COSTA COUNTY, CALIFORNIA

KENNETH Q. VOLK & ASSOCIATES
 CONSULTING ENGINEERS
 7723 AMADOR VALLEY BLVD.
 SAN RAMON VILLAGE
 DUBLIN, CALIFORNIA



WORK TO BE DONE

The improvement consist of the following work to be done in accordance with these plans and the specifications hereto attached.

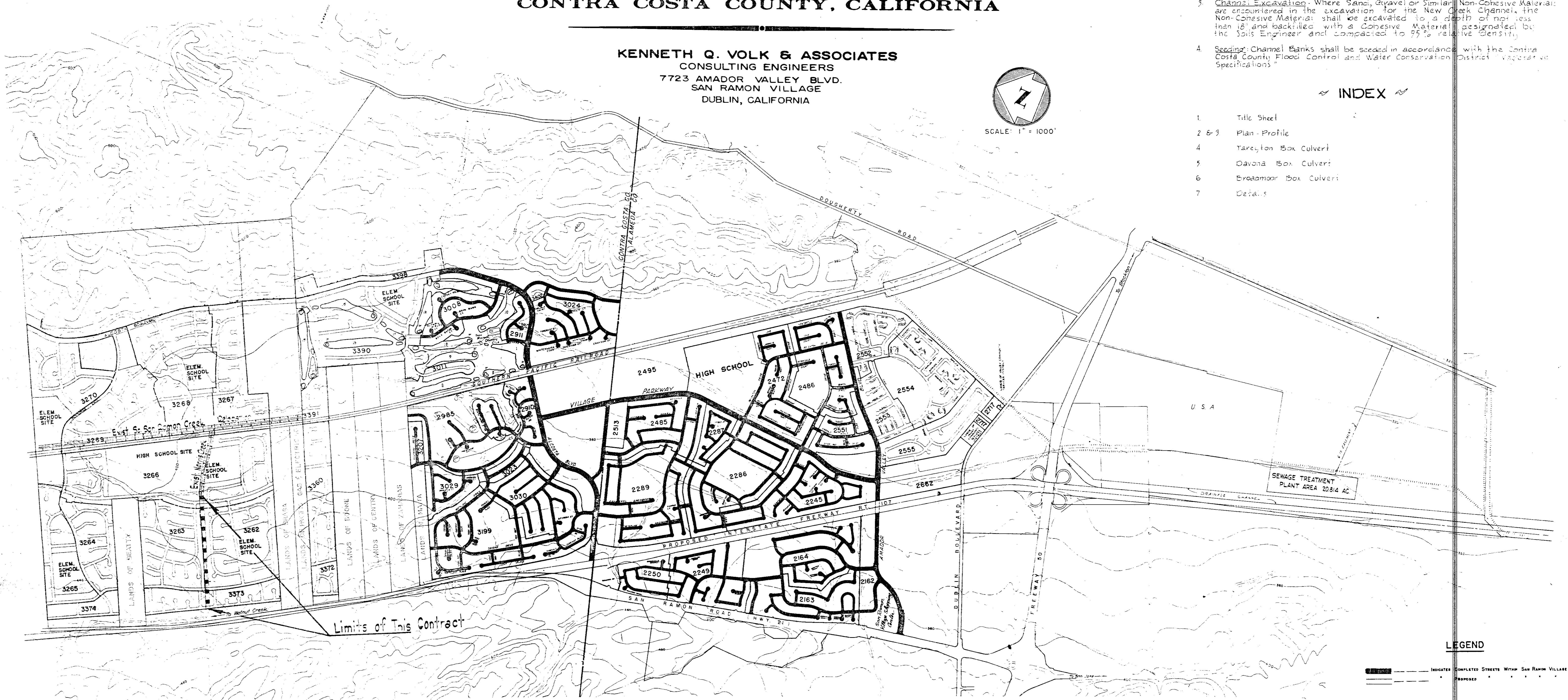
DESCRIPTION	LEGEND
1 Graded Earth Channel	
2 P.C.C Channel Lining	
3 Storm Drain Pipe	48" RCP 15" CMP
4 Chain Link Fence	6' CLF

GENERAL NOTES

- 1 Basis of Elevation Datum - U.S.G.S. Standard Tablet in concrete monument on Ely side of State Hwy. 21 at Alameda-Contra Costa County Line, Elev. 425.011
- 2 Channel Fill Material: Fill Material for New Creek Channel shall be a Cohesive Material capable of erosion resistance as determined by the Soils Engineer. Fill Material shall be compacted to 95% relative density. Fill Sections shall be overlaid to a depth of at least 18" and trimmed to true Slope and Grade after Compaction.
- 3 Channel Excavation: Where Sand, Gravel or Similar Non-Cohesive Material are encountered in the excavation for the New Creek Channel, the Non-Cohesive Material shall be excavated to a depth of not less than 18" and backfilled with a Cohesive Material designated by the Soils Engineer and compacted to 95% relative density.
- 4 Seeding: Channel Banks shall be seeded in accordance with the Contra Costa County Flood Control and Water Conservation District Vegetative Specifications.

INDEX

- 1 Title Sheet
- 2 & 3 Plan-Profile
- 4 Tareyton Box Culvert
- 5 Davona Box Culvert
- 6 Broadmoor Box Culvert
- 7 Details



LEGEND

	PROPOSED
	COMPLETED STREETS WITHIN SAN RAMON VILLAGE

ENGINEER'S CERTIFICATION
 Submitted by:

 Douglas C. Nelson R.C.E. 2113 Date 7/22/65
 For Kenneth Q. Volk & Associates, Consulting Engineers

VALLEY COMMUNITY SERVICES DISTRICT APPROVAL
 Fire Hydrant, Water Supply System and Sanitary Sewer Facilities shown hereon are hereby approved and Standard Specifications therefore are incorporated herein by reference.
 General Manager-Valley Community Services District Date _____
 Fire Chief Valley Community Services District Date _____

CONTRA COSTA COUNTY PUBLIC WORKS DEPARTMENT CONDITIONAL APPROVAL
 Approved for construction _____ 1965
 Victor W. Sauer, Public Works Director, Road Commissioner-Surveyor

PROJECT LOCATION MAP

INTERSTATE FRWY 680

TAREYTON AVE.

DAVONA DR.

Scale 1"=40'

TM 3477

TM 3263

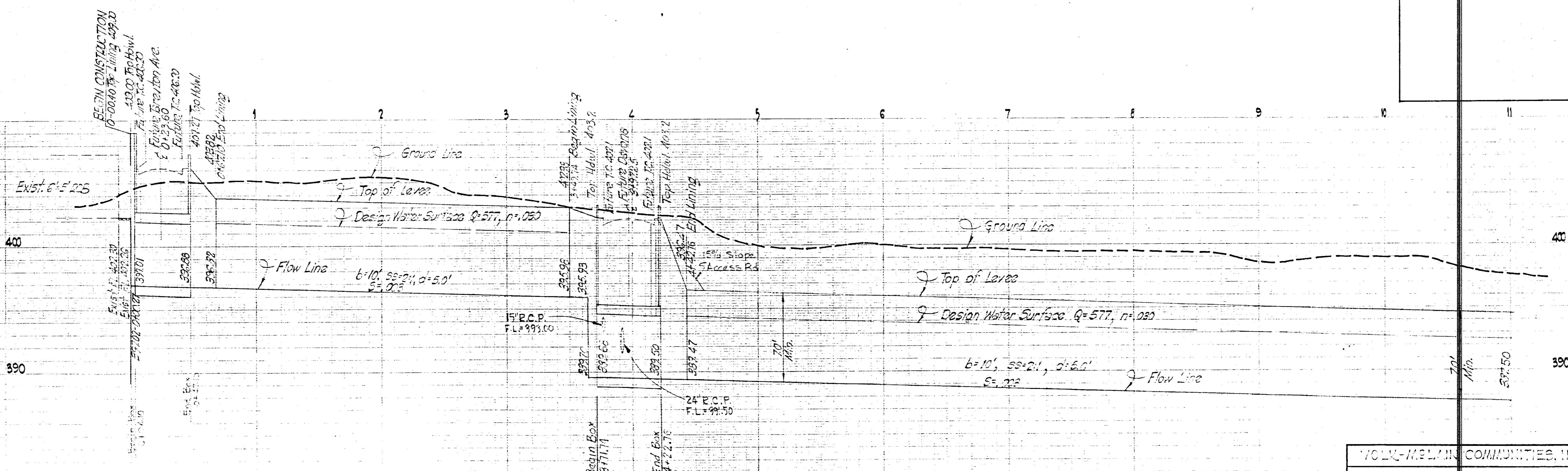
NORRIS CREEK

TM 3373

TM 3262

MATCH LINE

Contractor's County Approval

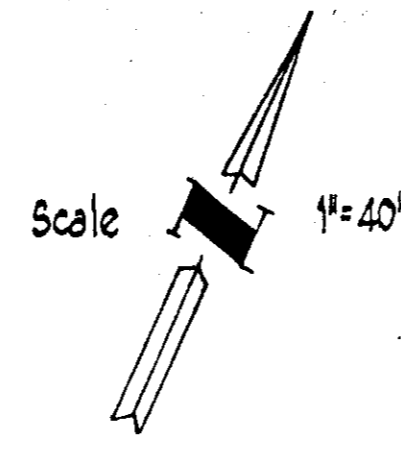


PROFILE - NORRIS CREEK
Scale - Horiz. 1"=40' Vert. 1"=4'

REV.	DATE	DESCRIPTION	BY	APPR	DATE
3	8/13/65	Corrected Stations	SWM		
2	8/11/65	Added 8'-24" R.C.P. & Down Box	G.J.F.		
1	7/25/65	County Cross Section	R.W.		

DESIGNED	DCN	APPROVED		DRAWING NUMBER	BE-196
DRAWN	LAB		R.C.E. 0713	SHEET NUMBER	2 of 7
CHECKED	DCN				
DATE 7/26/65					

VOLK-MELAIN COMMUNITIES, INC.
NORRIS CREEK
 CONTRA COSTA COUNTY
 KENNETH Q. VOLK AND ASSOCIATES
 CONSULTING ENGINEERS



TM 3263

NORRIS CREEK

N65°25'03"E 1816.74'

20+00.99 Norris Cr. =
15+52.11 Future Broadmoor
See Detail Sp. 68'

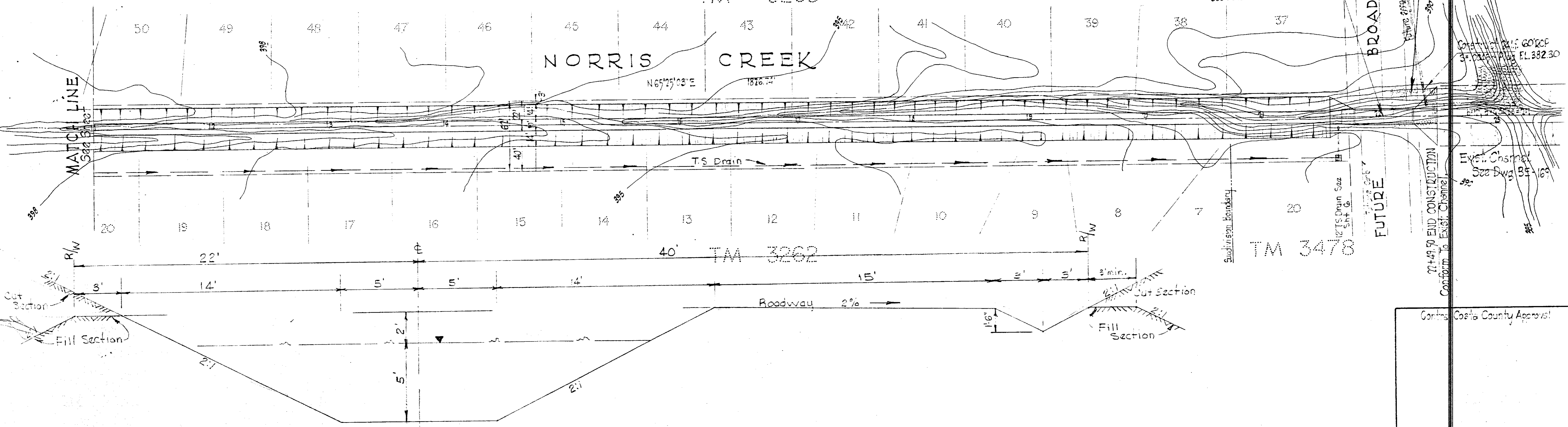
BROADMOOR DR.

Contractor To Remove Exist. Ditch & Dispose of Same.

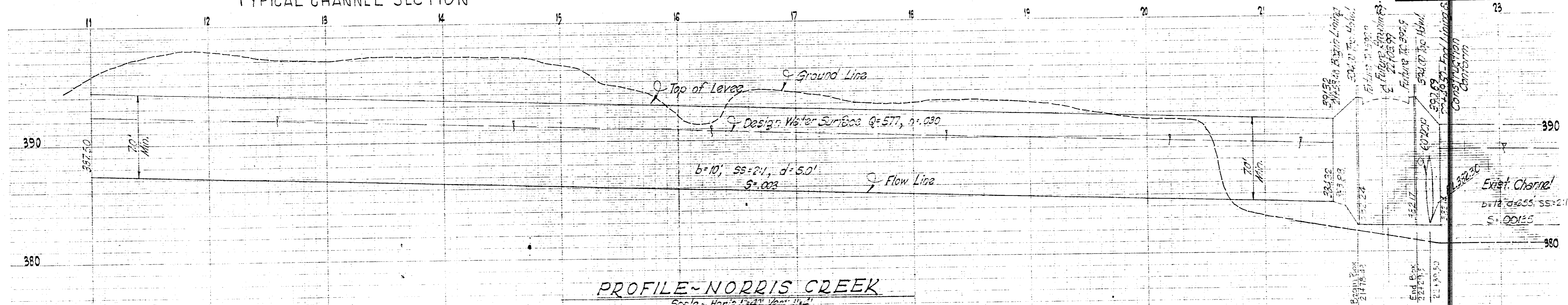
Contractor To Construct 6" Dia. Pipe at 20+00.99 to 20+00.00 E.L. 382.30

Exist. Channel See Dwg. BE-163

70+49.50 END CONSTRUCTION Conform to Exist. Channel



TYPICAL CHANNEL SECTION



PROFILE-NORRIS CREEK
Costa - Norris 1"=20' Vert. 1"=100'

VOLK-McLAIN COMMUNITIES, INC.

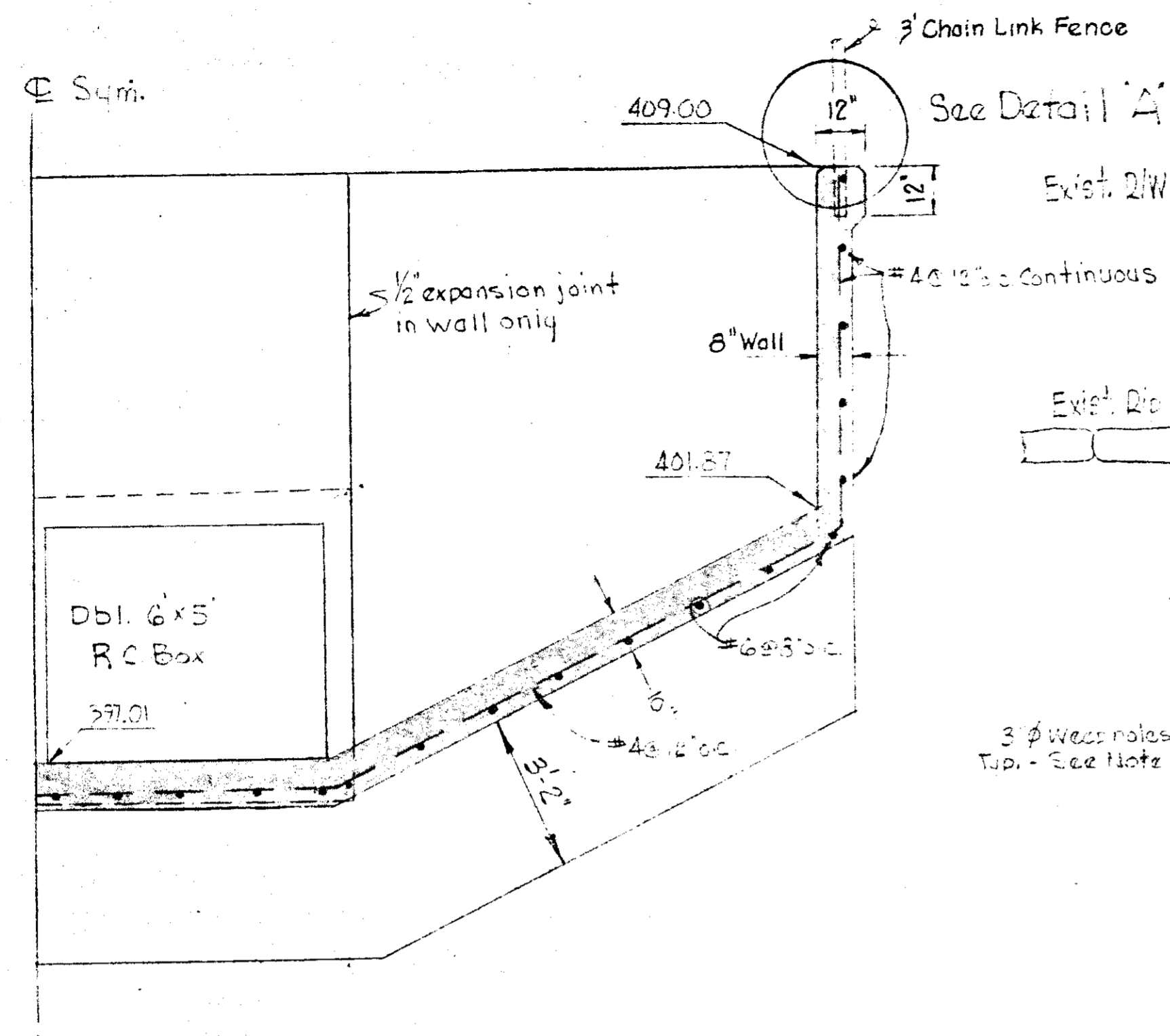
NORRIS CREEK

CONTRA COSTA COUNTY
KENNETH Q. VOLK AND ASSOCIATES
CONSULTING ENGINEERS

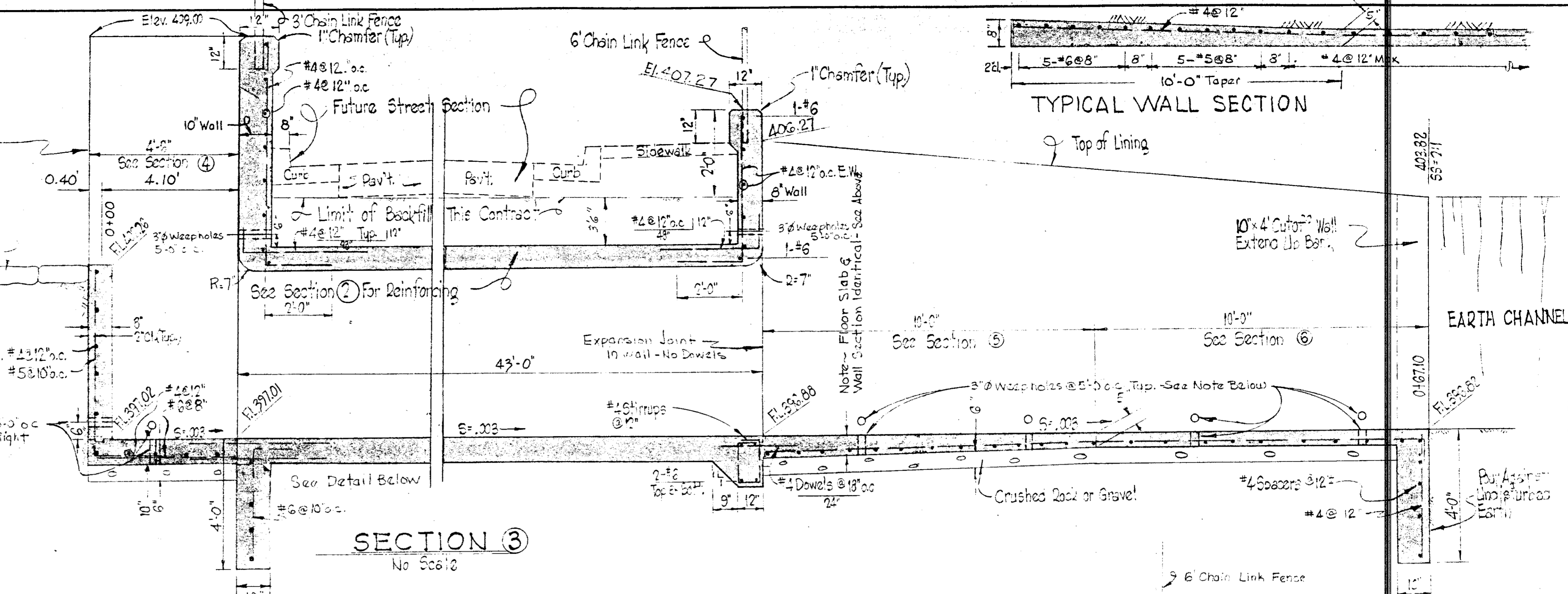
REV.	DATE	DESCRIPTION	BY	APPR
2	8/12/68	Corrected Stations	SWM	
1	7/25/68	County Creek Changes	FLW	

DESIGNED DCM	APPROVED	DRAWING NUMBER
DRAWN LAB	<i>K. Nelson</i>	BE-196
CHECKED DCM	R.C.E. 8713	SHEET NUMBER
DATE 7/25/68		3 of 7

APPROVED



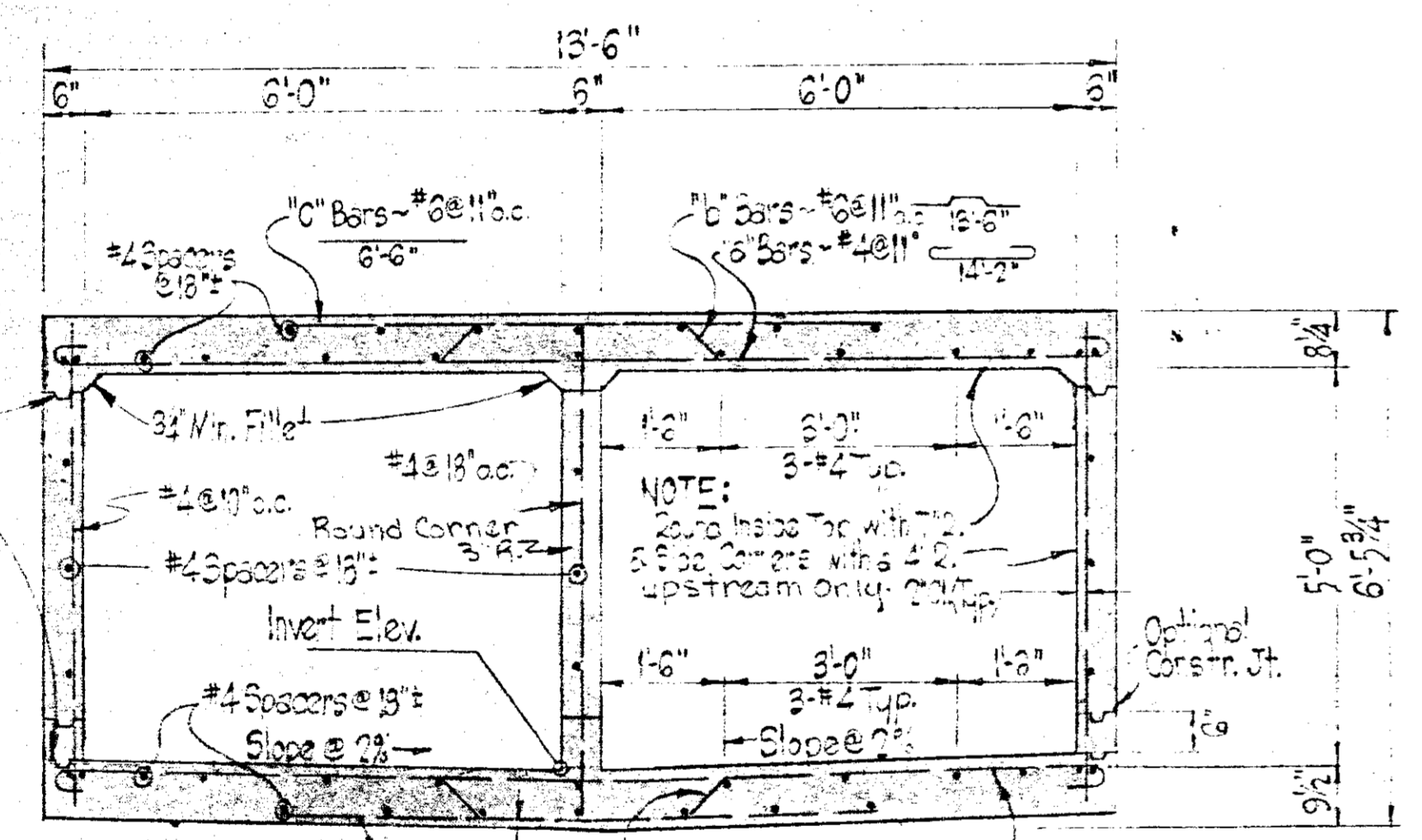
SECTION LOOKING DOWNSTREAM



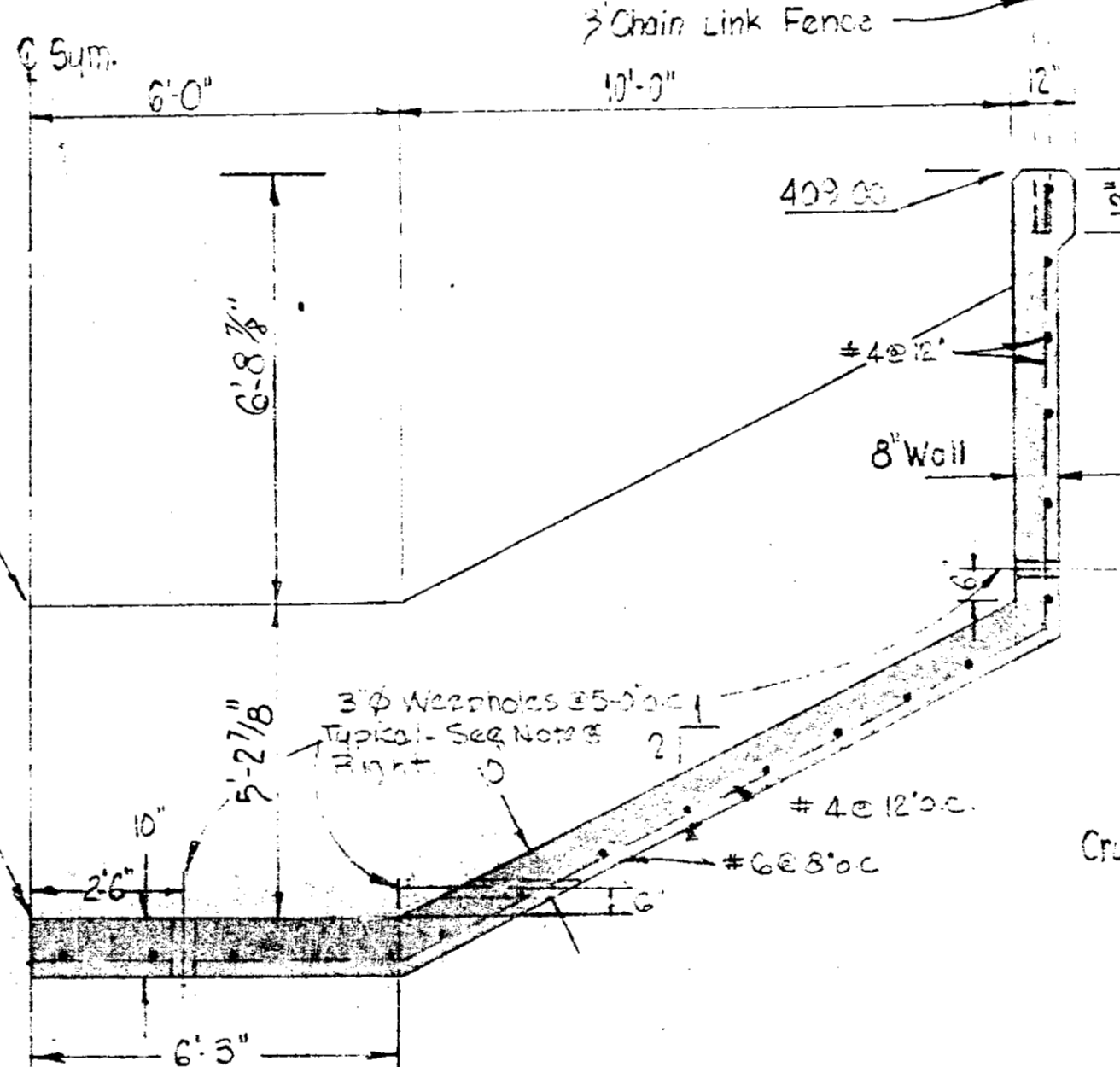
SECTION 3
No Scale

TYPICAL WALL SECTION

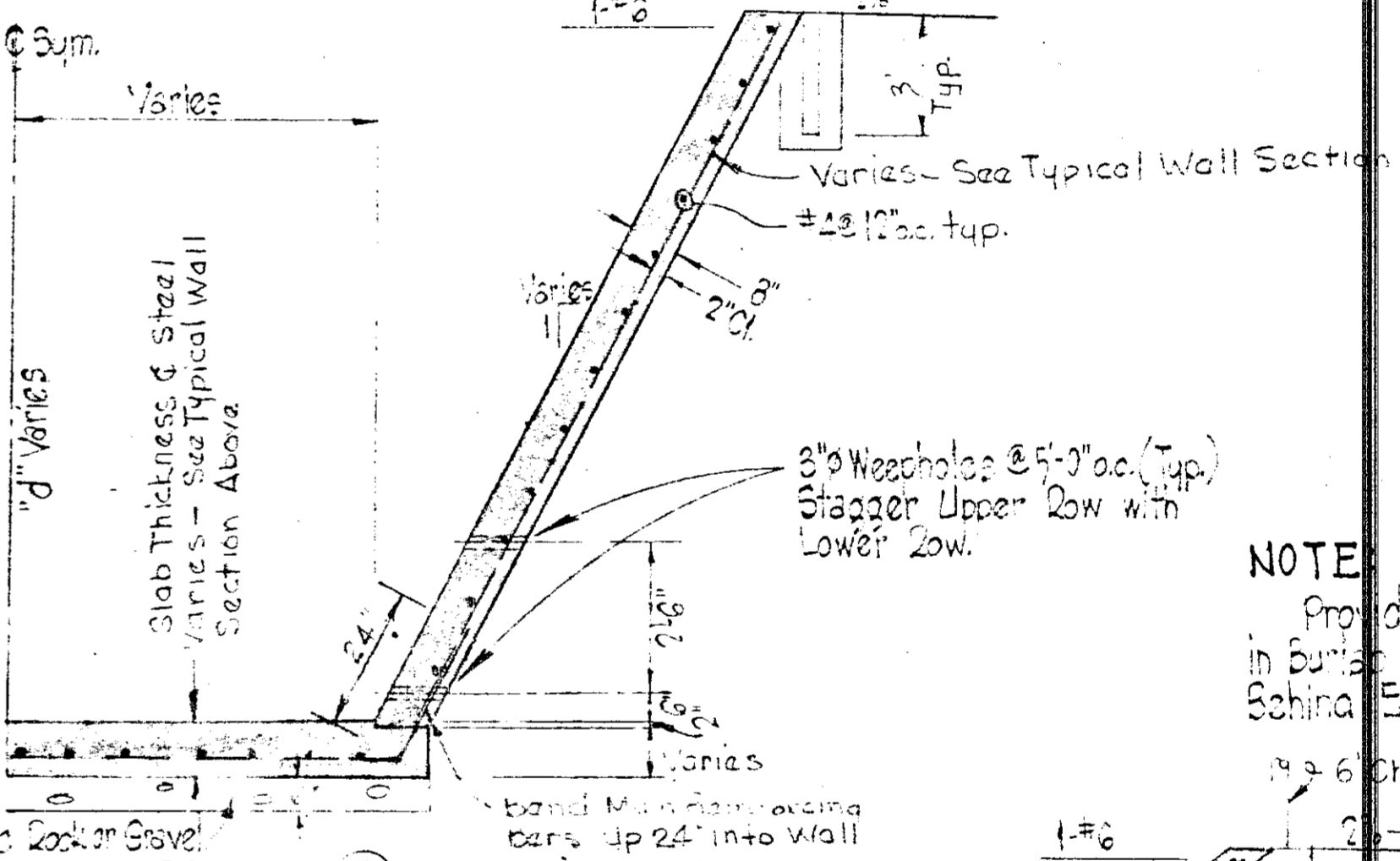
Top of Lining



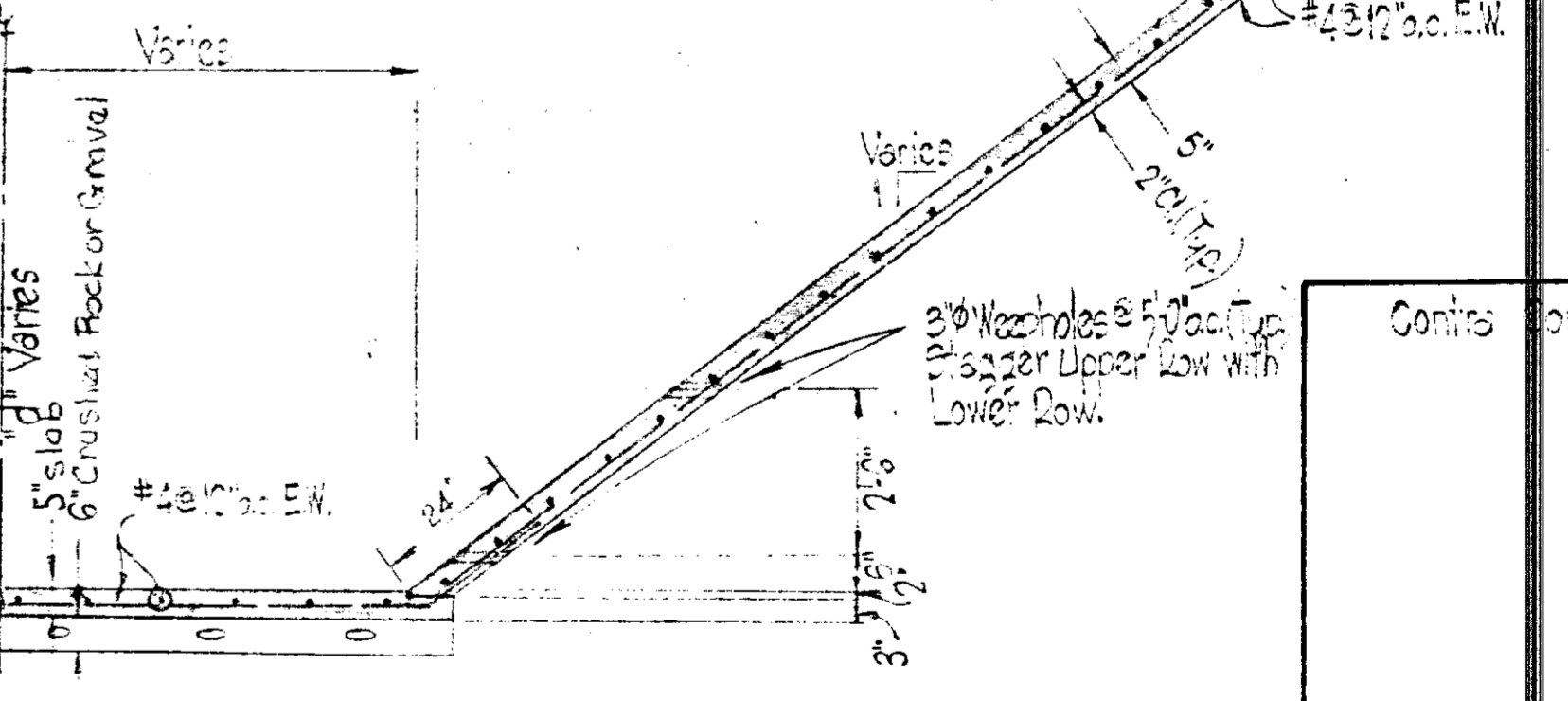
CULVERT SECTION 2
Scale - 1/2" = 1'-0"



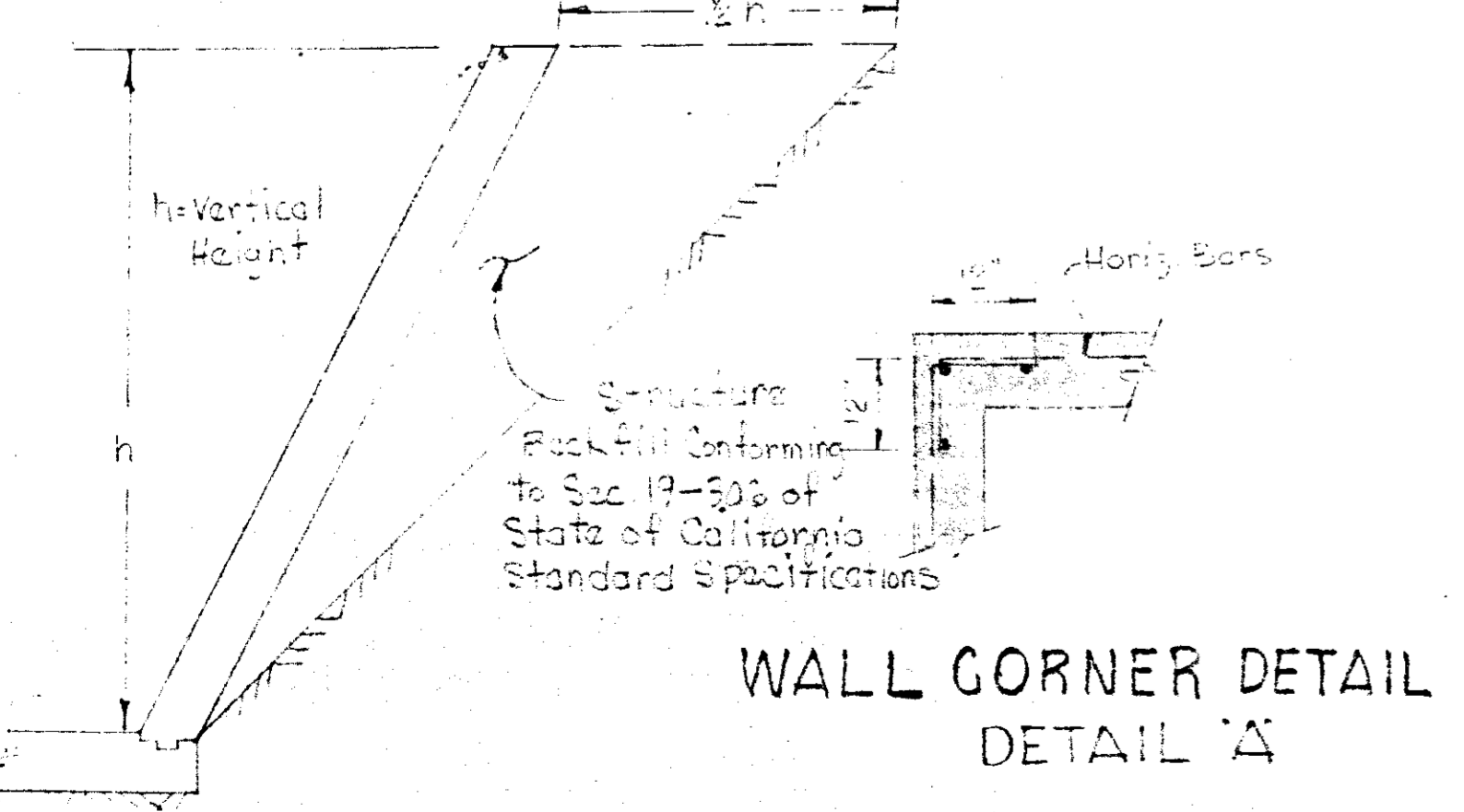
SECTION LOOKING UPSTREAM 4
Scale - 3/8" = 1'-0"



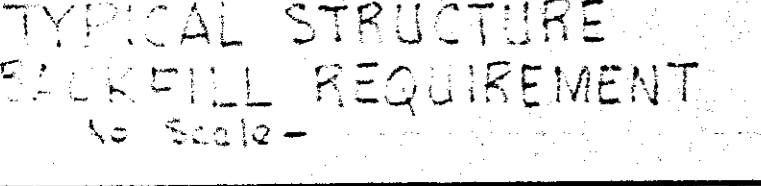
SECTION 5
Scale - 3/8" = 1'-0"



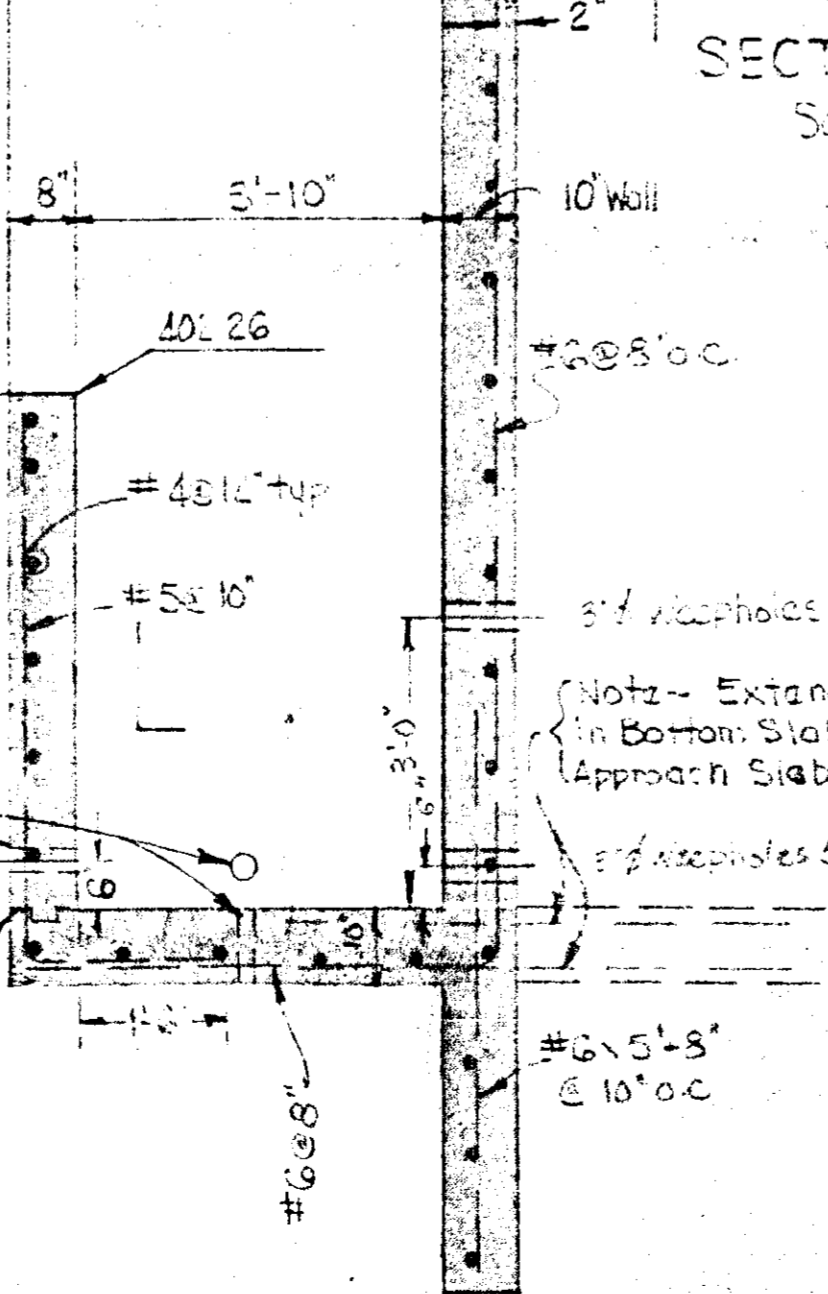
SECTION 6
Scale - 3/8" = 1'-0"



WALL CORNER DETAIL
DETAIL A



TYPICAL STRUCTURE
BACKFILL REQUIREMENT
No Scale



TYPICAL SECTION
Scale 1/2" = 1'-0"

SPECIFICATIONS

Box Culvert and Channel Lining Shall be Constructed to Standard Specifications, July, 1964 State of California, Dept. of Public Works, Div. of Hwy's.

All Details are Typical. Similar Details Apply To Similar Conditions Unless Otherwise Noted.

All Concrete Shall be Class A. Where Portions of Channel Lining May be Constructed of Air Blown Mortar.

For other Notes See Sht. G

NOTE
Provide 2' Limit of Drain Rock in Burial Back. Ties Separately Behind Each Weep Hole, Top.

Contractor's County Approval

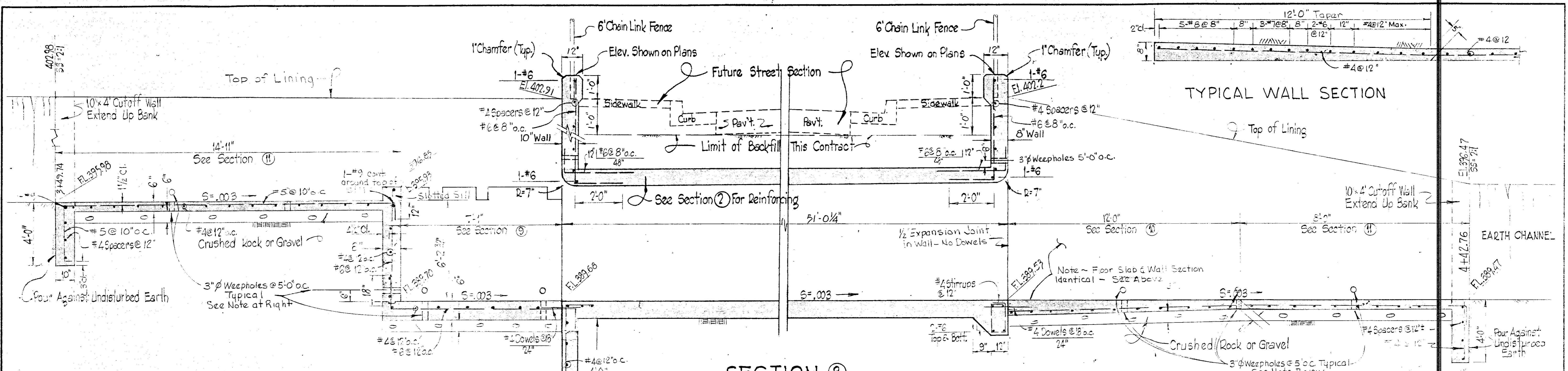
VOLK-MELAIN COMMUNITIES, INC.
TAREY ON AVENUE
NORRIS CREEK
DETAILS
CONTRA COSTA COUNTY
KENNETH G. VOLK-AND ASSOCIATES
CONSULTING ENGINEERS

DESIGNED	BCN	APPROVED		DRAWING NUMBER	BE-196
DRAWN	LAB			SHEET NUMBER	4 of 7
CHECKED	DCN				

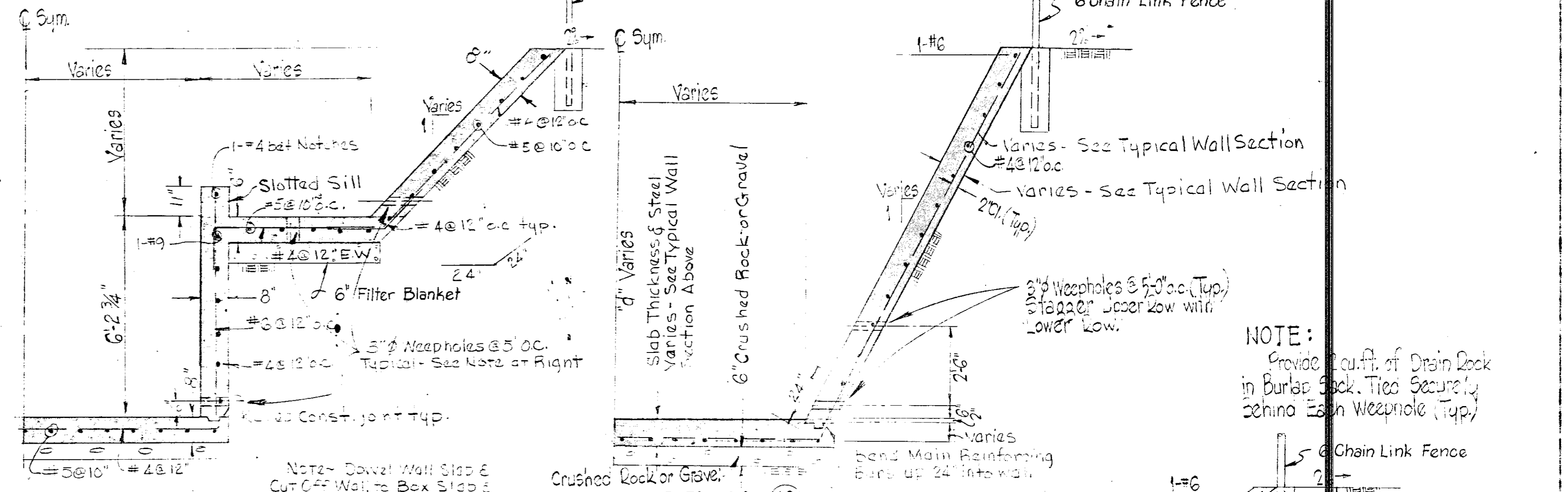
DATE 7/26/65

REV.	DATE	DESCRIPTION	BY	APPR
2	8/16/65	Corrected Stations	SWM	
1	7/25/65	County Check Changes	BLW	

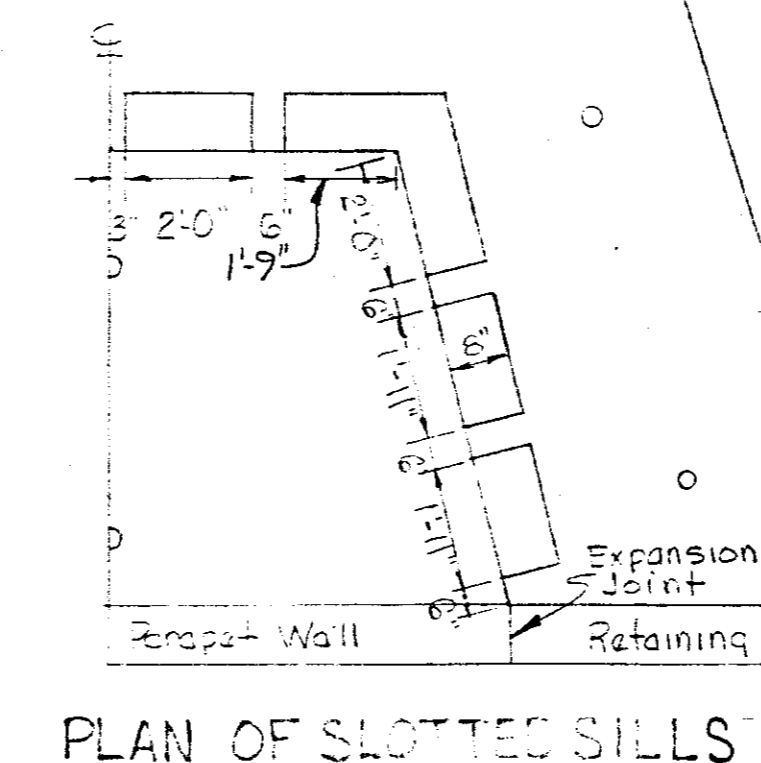
APPROVED



SECTION 8
No Scale



SECTION 9
Scale 3/8\"/>



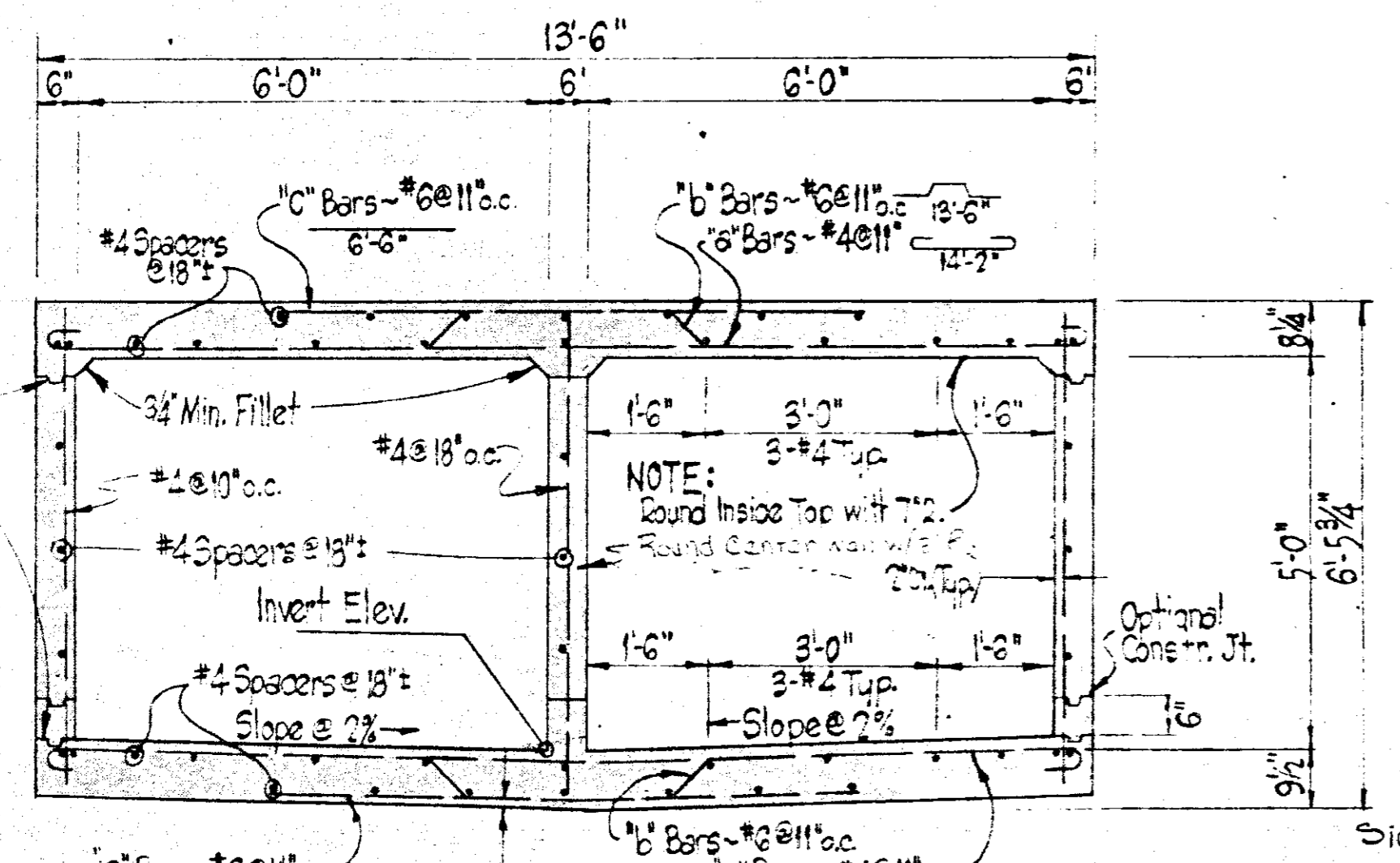
SPECIFICATIONS

Box Culvert and Channel Lining Shall Be Constructed to Standard Specifications, July, 1964 State of California, Dept. of Public Works, Div. of Hwy's.

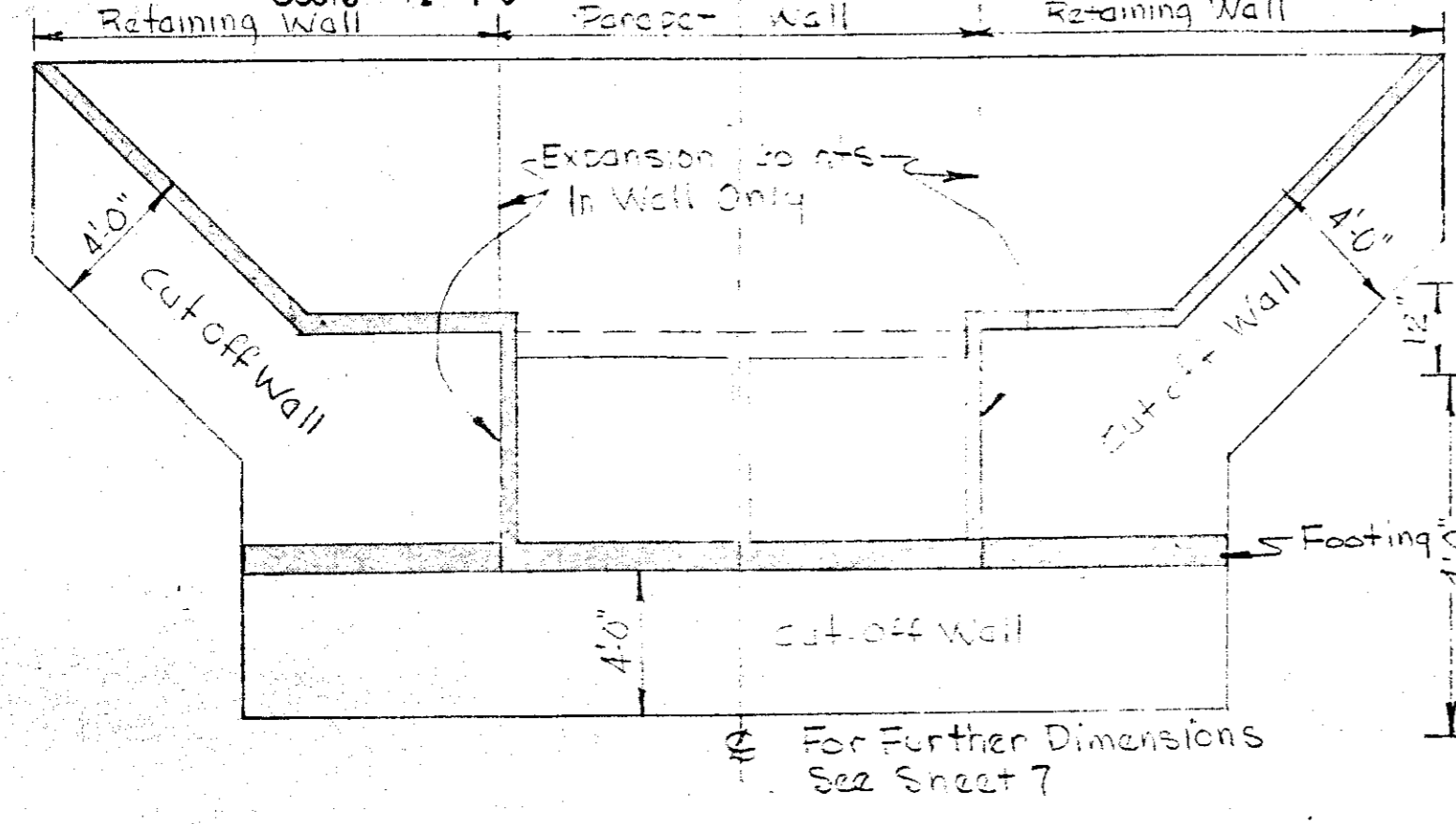
All Details are Typical. Similar Details Apply To Similar Conditions Unless Otherwise Noted.

All Concrete Shall Be Class A. Where Portions of Channel Lining Maybe Constructed of Air Blown Mortar.

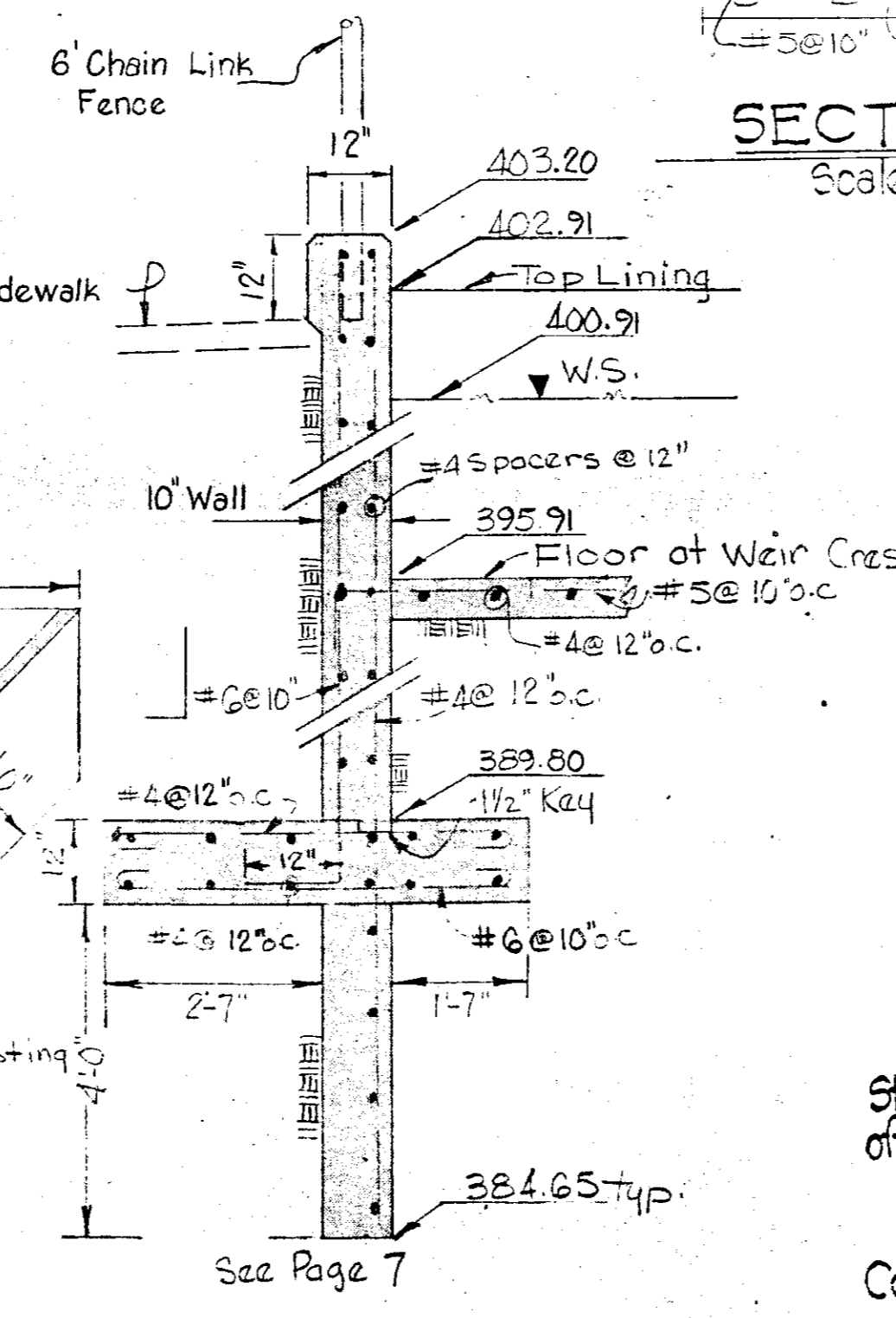
For Other Notes See Sht 6



CULVERT SECTION 7
Scale 1/2\"/>

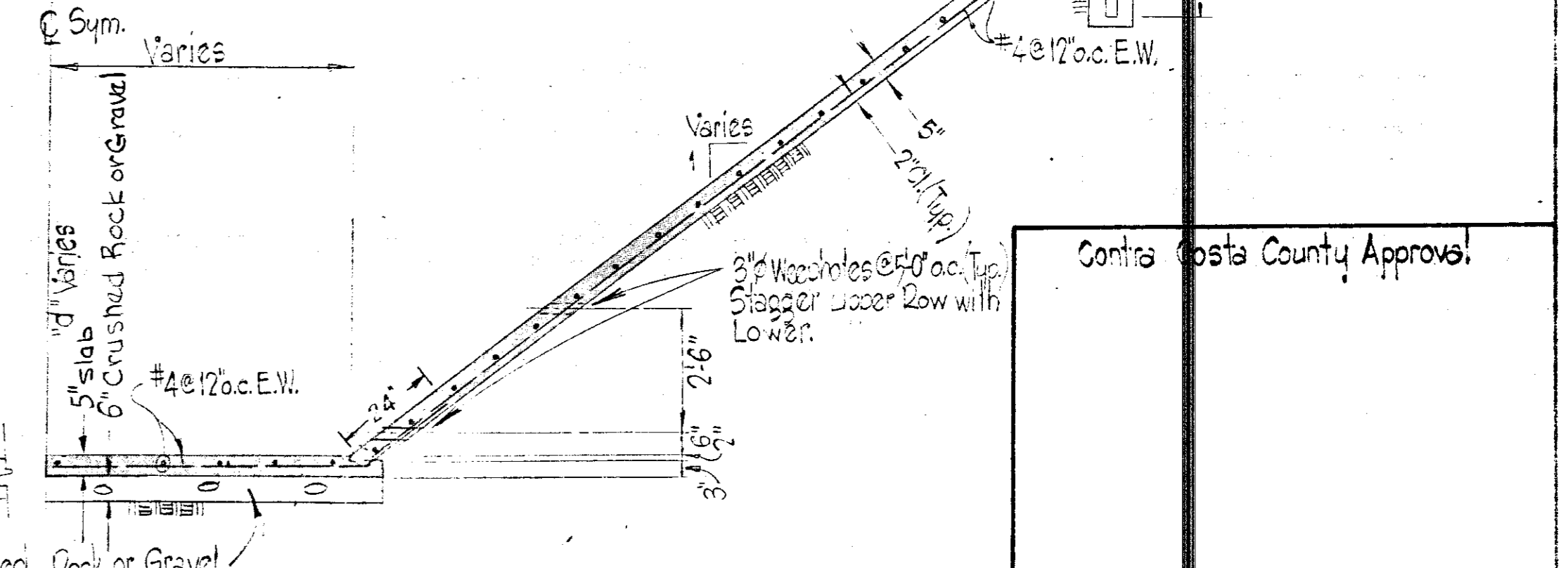


DOWN STREAM VIEW AT HEADWALL
Scale 1\"/>



SECTION A-A HEADWALL FOOTING
Scale 1\"/>

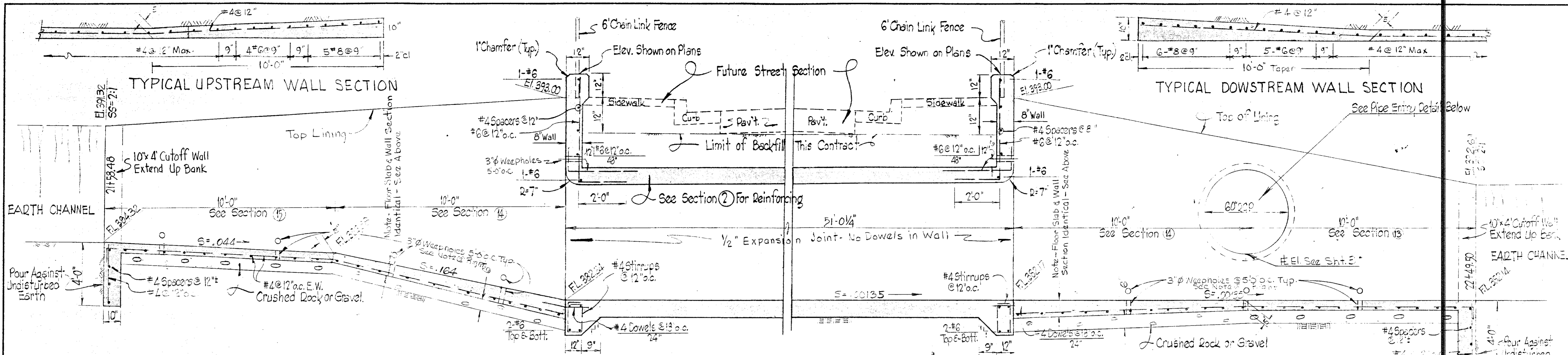
SECTION 10
Scale 3/8\"/>



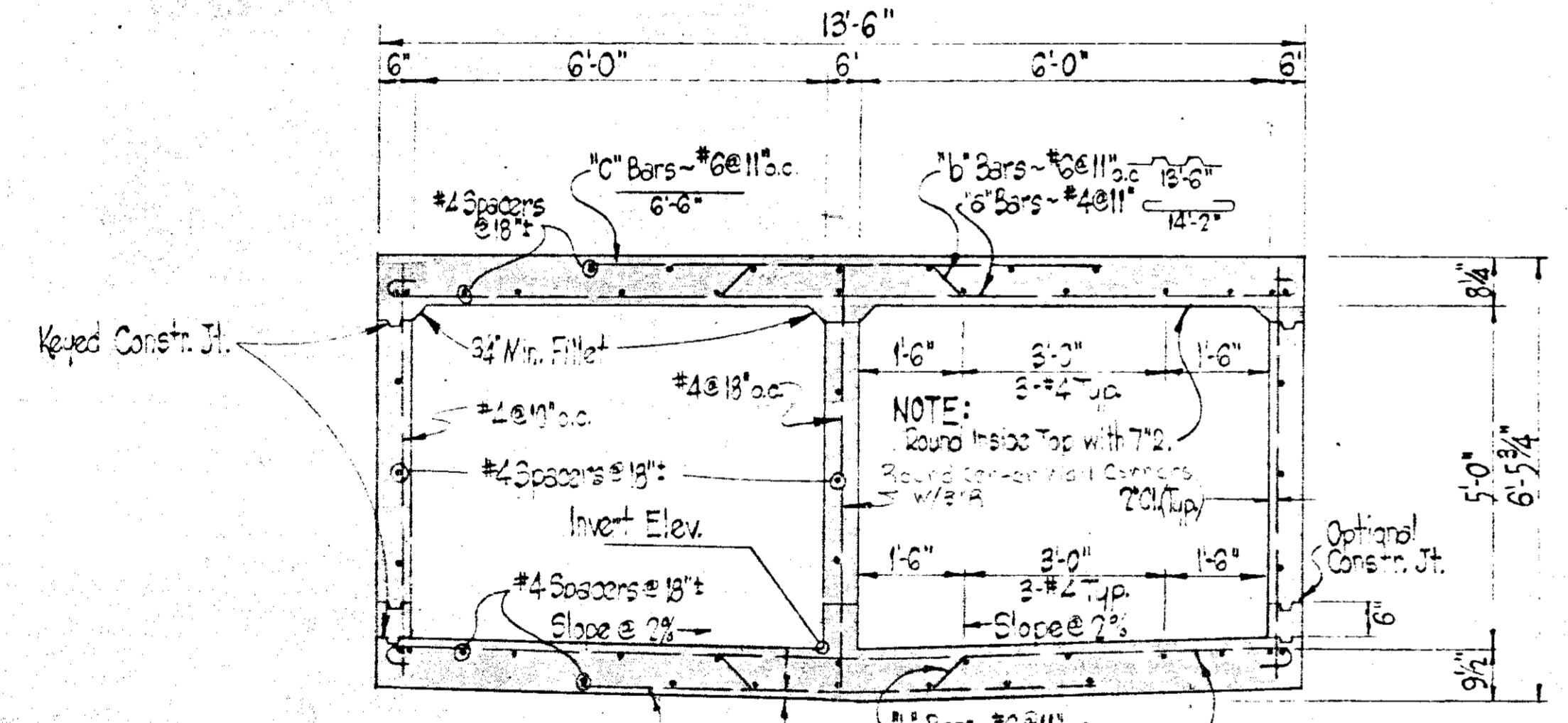
SECTION 11
Scale 3/8\"/>

Contra Costa County Approval

VOLK-MCLAIN COMMUNITIES, INC.								
DAVONIA DRIVE								
NORRIS CREEK								
DETAILS								
CONTRA COSTA COUNTY								
KENNETH Q. VOLK AND ASSOCIATES CONSULTING ENGINEERS								
DESIGNED	D.C.N.	APPROVED	DRAWING NUMBER BE-196					
DRAWN	LAB							
CHECKED	D.C.N.							
REV.	DATE	DESCRIPTION	BY	APPR	DATE	7/26/65		DRAWING NUMBER SHEET NUMBER 5 OF 7
2	8/16/65	Corrected Stations		SWM				
1	7/23/65	County Check Changes		BLW				



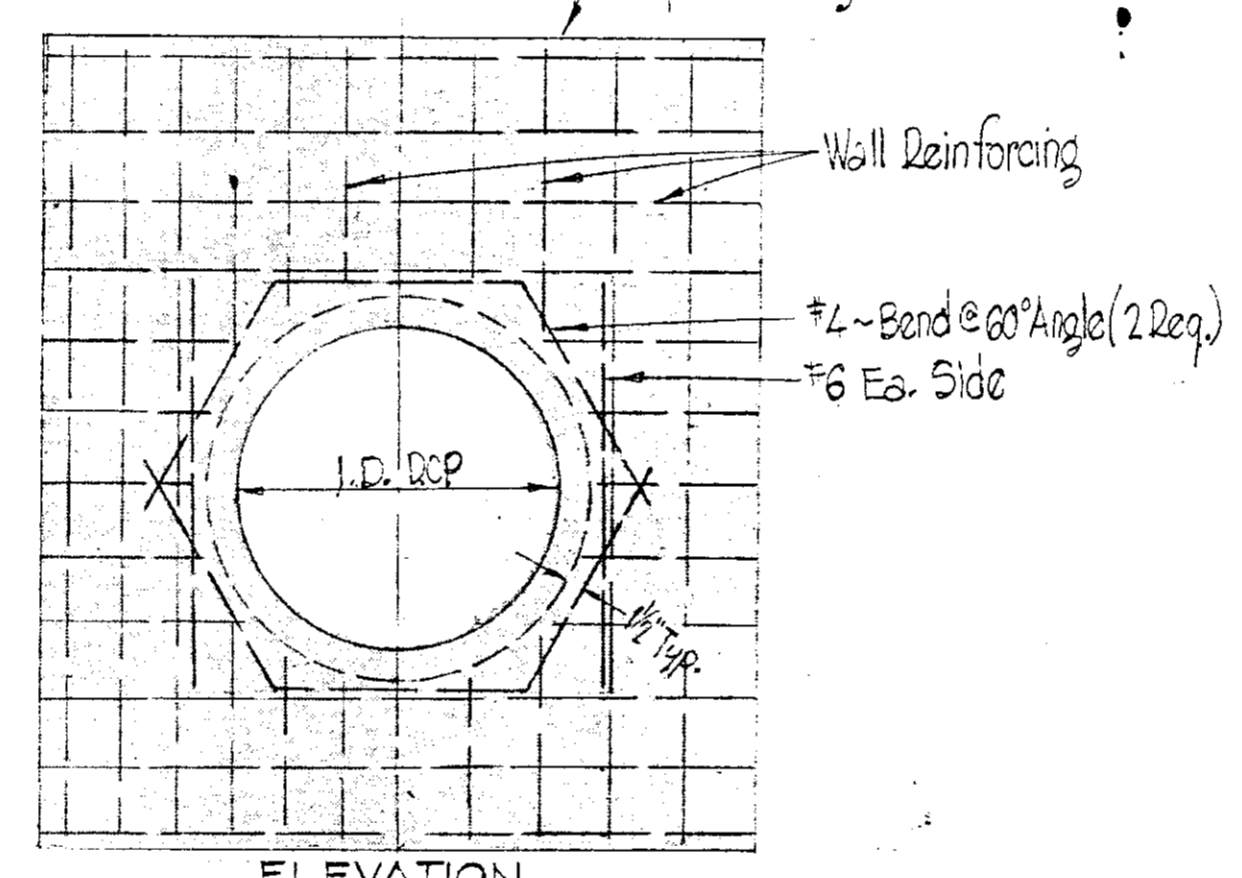
SECTION 13
No Scale



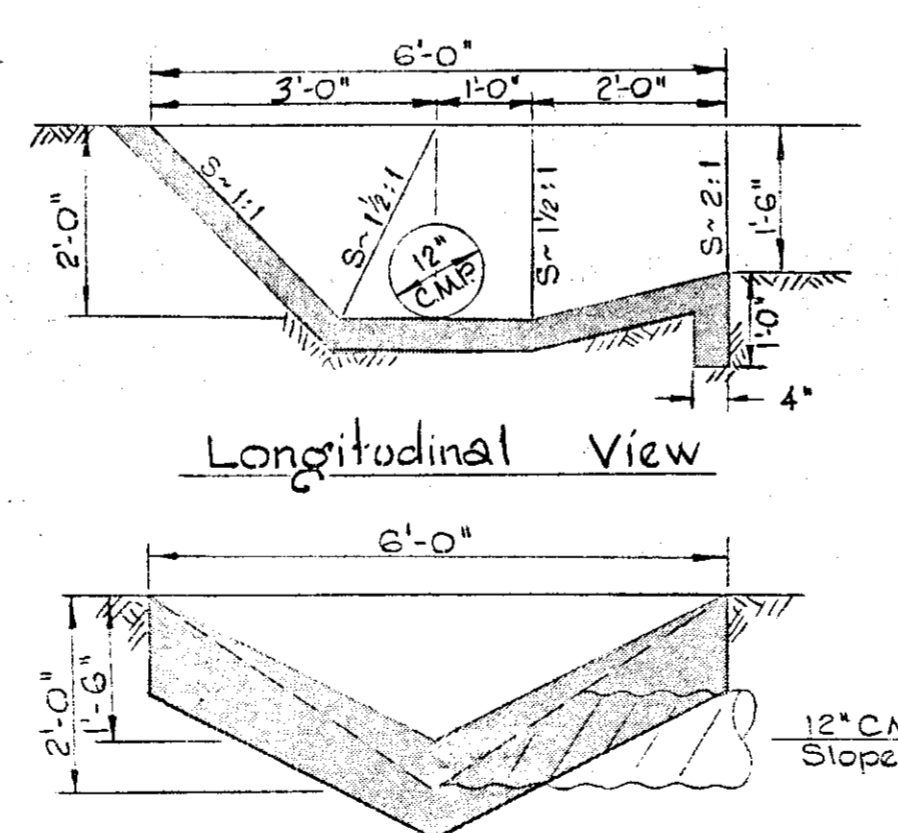
CULVERT SECTION 12
Scale 1/2" = 1'-0"

GENERAL NOTES

- SPECIFICATIONS =**
Design = AASHTO, Dated 1961
Construction = Standard Specifications, State of California, Dept. of Public Works, Div. of Highways, Dated July, 1964, and the Special Provisions.
- DESIGN STRESSES =**
Concrete = $f'_c = 3000$ psi.
 $f_c = 1200$ psi.
Steel = $f_s = 20,000$ psi.
 $n = 10$
- Reinforcing Steel Bars shall be the High Bond Type, Intermediate Grade.
- Lap for Reinforcing Bars shall be a Min. of 28 Bar Diameters at Splices Unless Otherwise Noted.



**ELEVATION
DETAIL - PIPE ENTRY
INTO WING WALL OR RCB**
NO SCALE



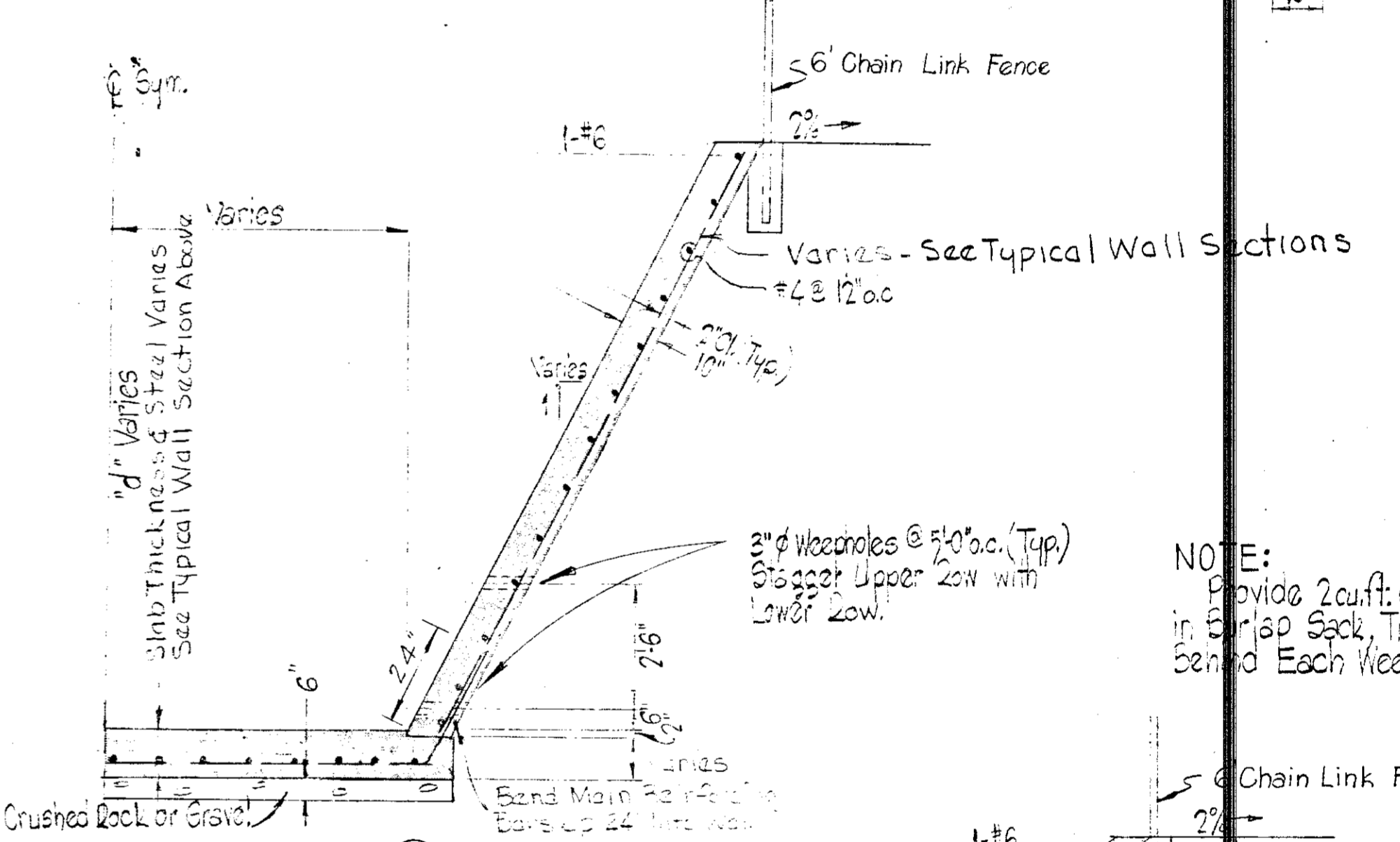
TOE OF SLOPE DRAIN
Scale 1/2" = 1'-0"

SPECIFICATIONS

Box Culvert and Channel Lining Shall be Constructed to Standard Specifications, July, 1964 State of California, Dept. of Public Works, Div. of Hwy's.

All Details are Typical. Similar Details Apply To Similar Conditions Unless Otherwise Noted.

All Concrete Shall be Class A. Warp Portions of Channel Lining Maybe Constructed of Air Blown Mortar.



SECTION 14
Scale 3/8" = 1'-0"

SECTION 15
Scale 3/8" = 1'-0"

NOTE:
Provide 2cu.ft. of Drain Rock in Burlap Sack, Tied Securely Behind Each Weep-hole (Typ.)

VOLK-McLAIN COMMUNITIES, INC.
**BROADMOR DRIVE
NORRIS CREEK**
DETAILS
CONTRA COSTA COUNTY
KENNETH Q. VOLK AND ASSOCIATES
CONSULTING ENGINEERS

REV.	DATE	DESCRIPTION	BY	APPR	DATE
2	6/16/65	Corrected Stations	SWM		
1	7/25/65	County Check Changes	PLW		

DESIGNED	RCN	APPROVED		DRAWING NUMBER	BE-196
DRAWN	LAB			SHEET NUMBER	6 of 7
CHECKED	DCN				

PLANS

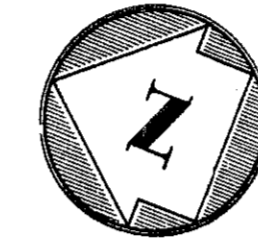
FOR THE CONSTRUCTION OF

SOUTH SAN RAMON CREEK RELOCATION, COYOTE CREEK, CHANNEL "Z" & NORRIS CREEK

ASSESSMENT DISTRICT NO. 1966-1

CONTRA COSTA COUNTY, CALIFORNIA

KENNETH Q. VOLK & ASSOCIATES
CONSULTING ENGINEERS
7723 AMADOR VALLEY BLVD.
SAN RAMON VILLAGE
DUBLIN, CALIFORNIA



- INDEX -	
PAGE	DESCRIPTION
1	TITLE & VICINITY MAP
2	PLAN PROFILES ALL CHANNELS
13	TYPICAL SECTIONS
14	MISC DETAILS
15	DROP STRUCTURE DETAILS
16	" " " "
17	" " " "
18	" " " "
19	" " " "
20	RAILROAD SHOOF LIES
21	FENCING & MISC DETAILS
22	BOX CULVERT DETAILS
23	" " " "
24	" " " "
25	" " " "
26	" " " "
27	" " " "
28	" " " "
29	" " " "
30	" " " "
31	" " " "
32	" " " "
33	" " " "
34	" " " "
35	" " " "
36	" " " "
37	" " " "
38	" " " "
39	" " " "
40	" " " "
41	" " " "
42	" " " "
43	" " " "
44	" " " "
45	" " " "
46	" " " "
47	" " " "
48	" " " "
49	" " " "
50	" " " "
51	" " " "
52	" " " "
53	" " " "
54	" " " "
55	" " " "
56	" " " "
57	" " " "
58	" " " "
59	" " " "
60	" " " "
61	" " " "
62	" " " "
63	" " " "
64	" " " "
65	" " " "
66	" " " "
67	" " " "
68	" " " "
69	" " " "
70	" " " "
71	" " " "
72	" " " "
73	" " " "
74	" " " "
75	" " " "
76	" " " "
77	" " " "
78	" " " "
79	" " " "
80	" " " "
81	" " " "
82	" " " "
83	" " " "
84	" " " "
85	" " " "
86	" " " "
87	" " " "
88	" " " "
89	" " " "
90	" " " "
91	" " " "
92	" " " "
93	" " " "
94	" " " "
95	" " " "
96	" " " "
97	" " " "
98	" " " "
99	" " " "
100	" " " "



LEGEND

--- INDICATES COMPLETED STREETS WITHIN SAN RAMON VILLAGE
- - - - - PROPOSED

ENGINEER'S CERTIFICATION

Submitted by: *D. C. Nelson* Date: 9-21-65
 Douglas C. Nelson R.C.E. 8713
 For Kenneth Q. Volk & Associates, Consulting Engineers

ENGINEER OF WORK

Donald N. Hoffman Date: 1-17-66
 Donald N. Hoffman RCE12410

VALLEY COMMUNITY SERVICES DISTRICT APPROVAL

These plans have been reviewed by Valley Community Services District and the project as shown is acceptable to Valley Community Services District for maintenance purposes.
William A. Olson Date: 1/10/66
 General Manager - Valley Community Services District

**CONTRA COSTA COUNTY PUBLIC WORKS
DEPARTMENT CONDITIONAL APPROVAL**

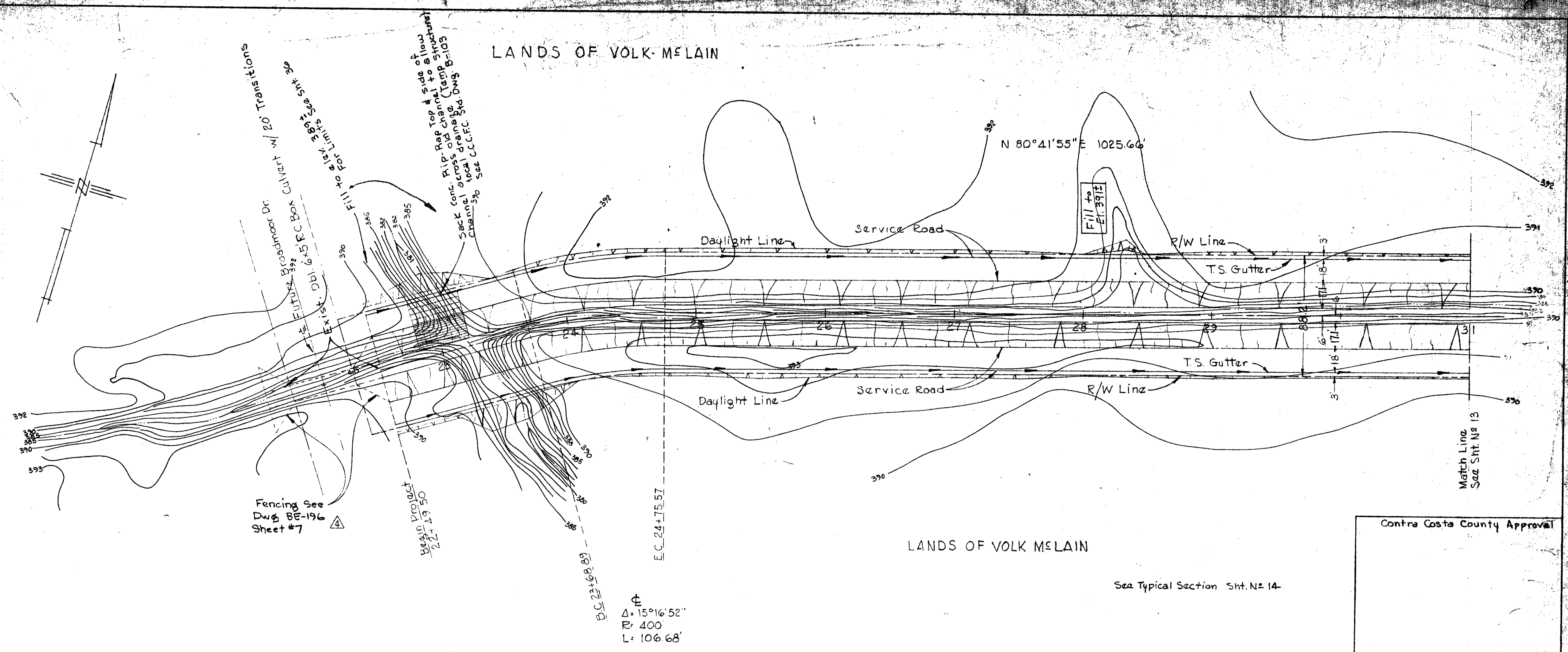
For Road R/W Structures only
 Approved for construction: _____ 196

Victor W. Sauer, Public Works Director, Road Commissioner-Surveyor

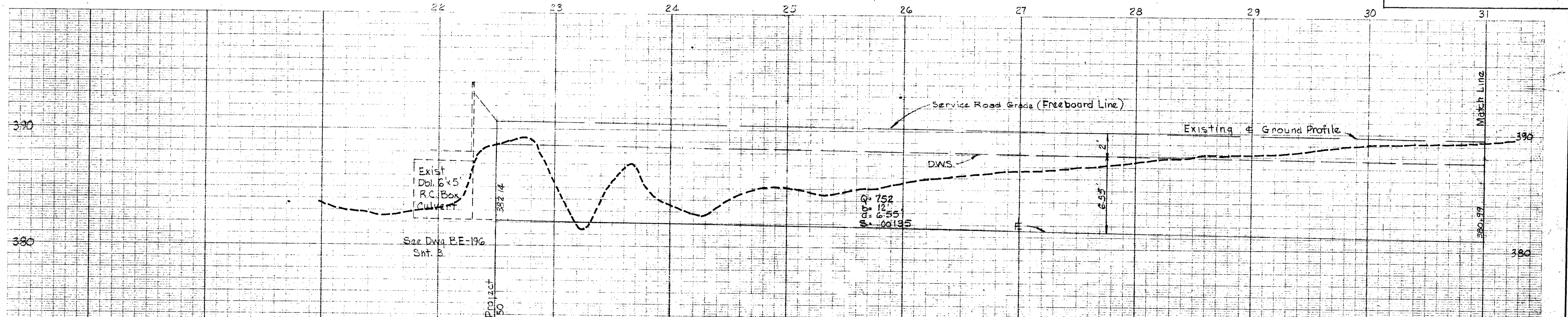
By: _____

DA 75

LANDS OF VOLK MCLAIN

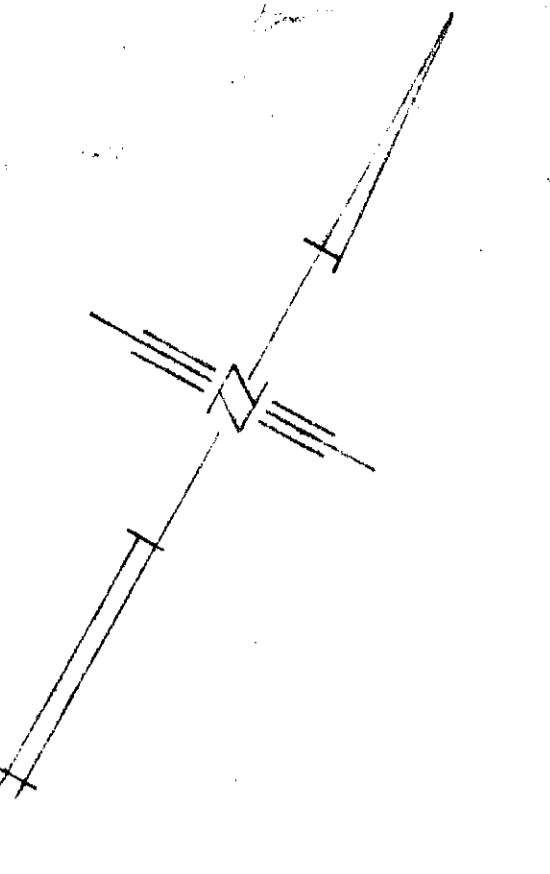
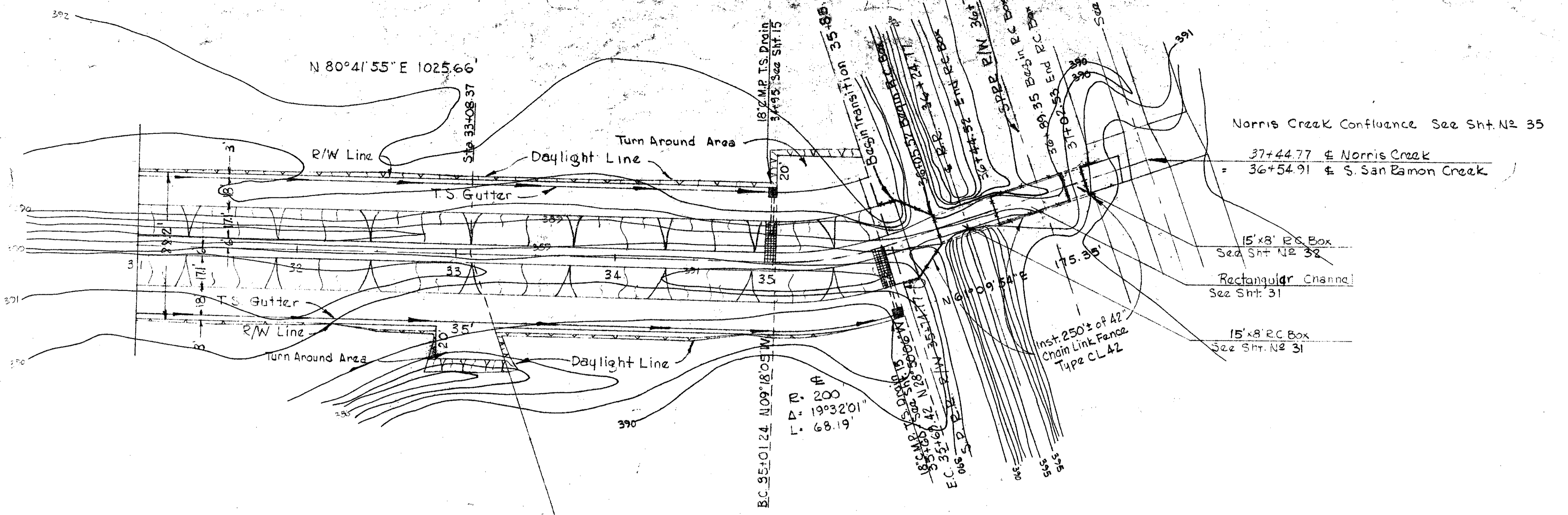


Contra Costa County Approval



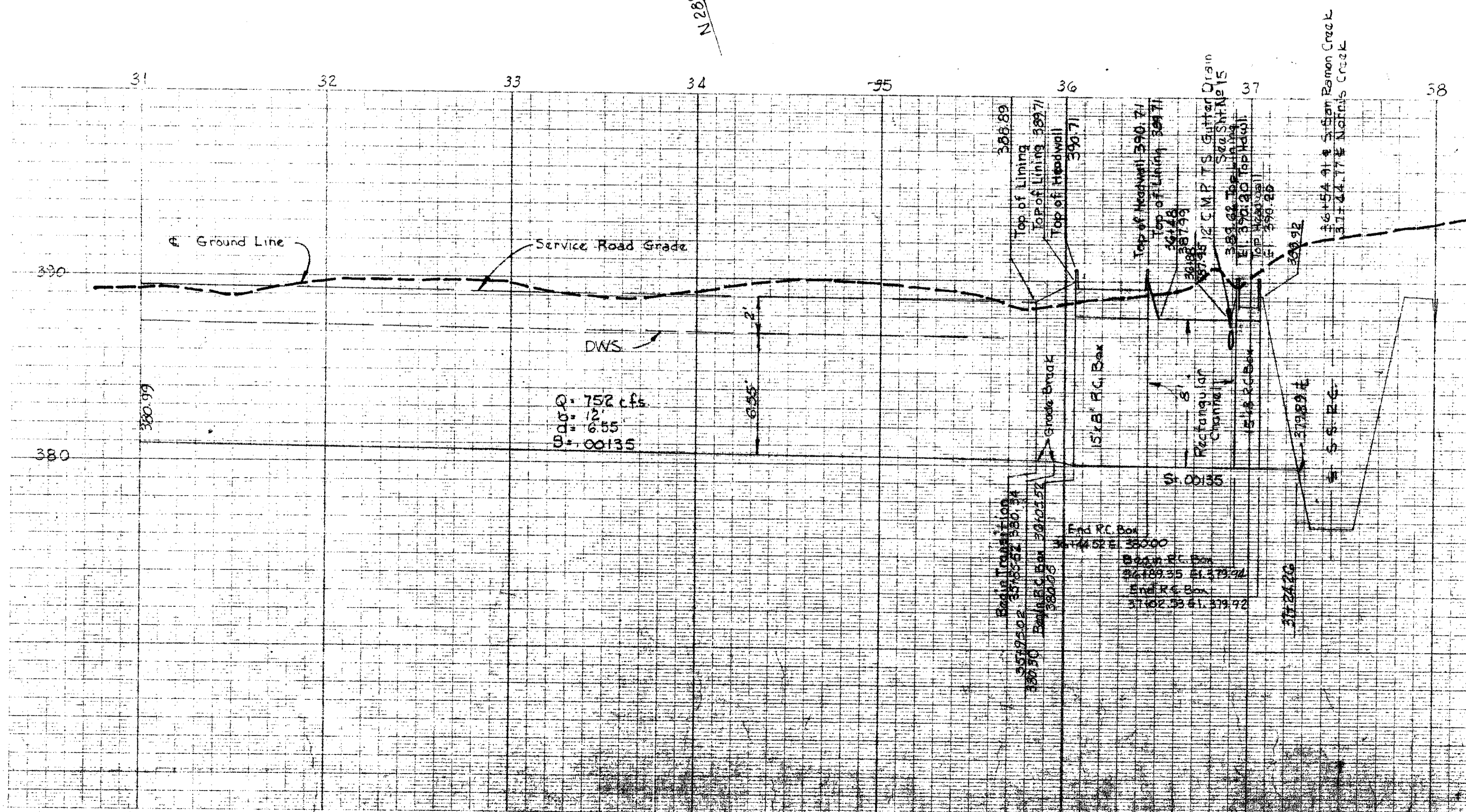
ASSESSMENT DISTRICT 1966-1			
SOUTH SAN RAMON CREEK RELOCATION CONTRA COSTA COUNTY, CALIFORNIA			
NORRIS CREEK 22+49.50 TO STA. 31+00			
KENNETH O. VOLK AND ASSOCIATES CONSULTING ENGINEERS			
DESIGNED BY	APPROVED	DRAWN BY	CHECKED BY
DATE	DATE	DATE	DATE
DESCRIPTION	BY	APPR.	DATE
1-66 Added Fencing Ref.	G.J.F.		
3-66 Contra Costa Check Changes			
2-66 Revised Profile	R.W.		
1-66 Design Check Changes	R.W.		
DRAWING NUMBER		SHEET NUMBER	
BE-169		12 of 36	

LANDS OF VOLK-ME LAIN



Contra Costa County Approval

See Typical Section Sht. No. 14



REV.	DATE	DESCRIPTION	BY	APPR
5	8/11/65	County Check Changes	RLW	
4	7/15/65	Revise R.R. Box	RLW	
3	7/16/65	Reverse Profile	RLW	
2	6/11/65	County Corrections	RLW	
1	5/11/65	Design Check Changes	RLW	

ASSESSMENT DISTRICT 1966-1

SOUTH SAN RAMON CREEK RELOCATION
CONTRA COSTA COUNTY, CALIFORNIA

NORRIS CREEK
STA. 31+00 TO STA. 37+44.77

KENNETH O. VOLK AND ASSOCIATES
CONSULTING ENGINEERS

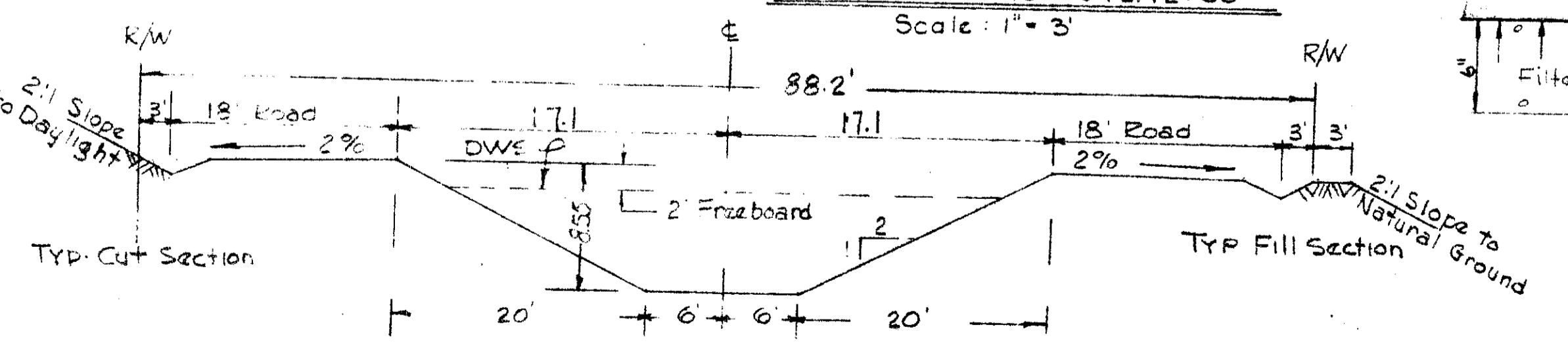
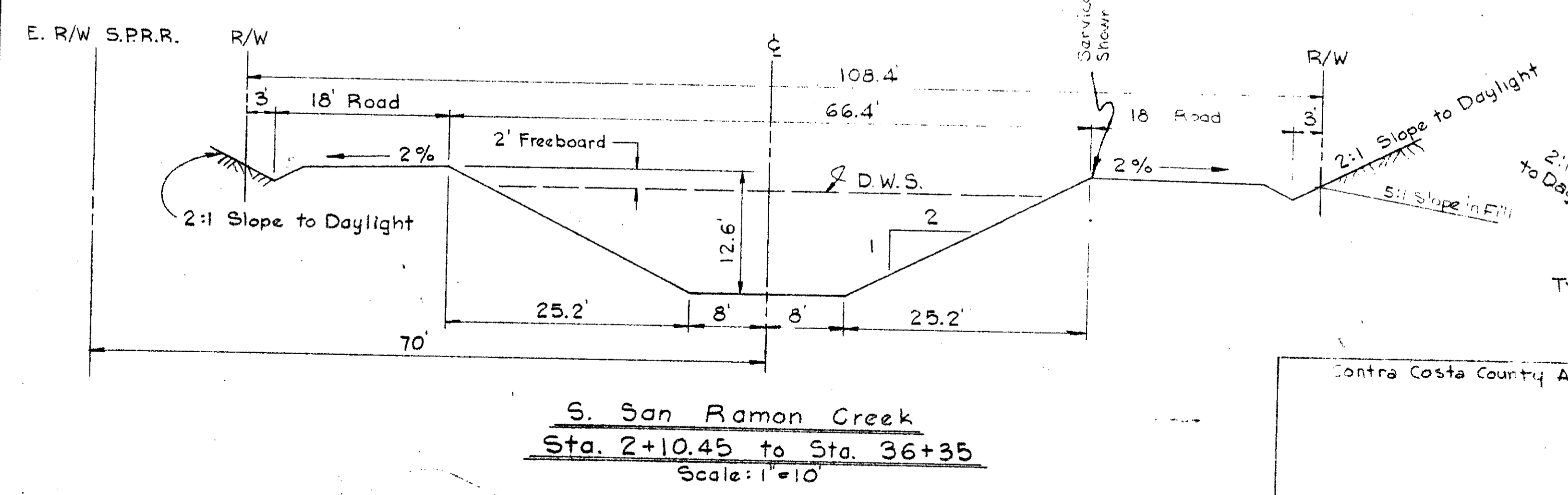
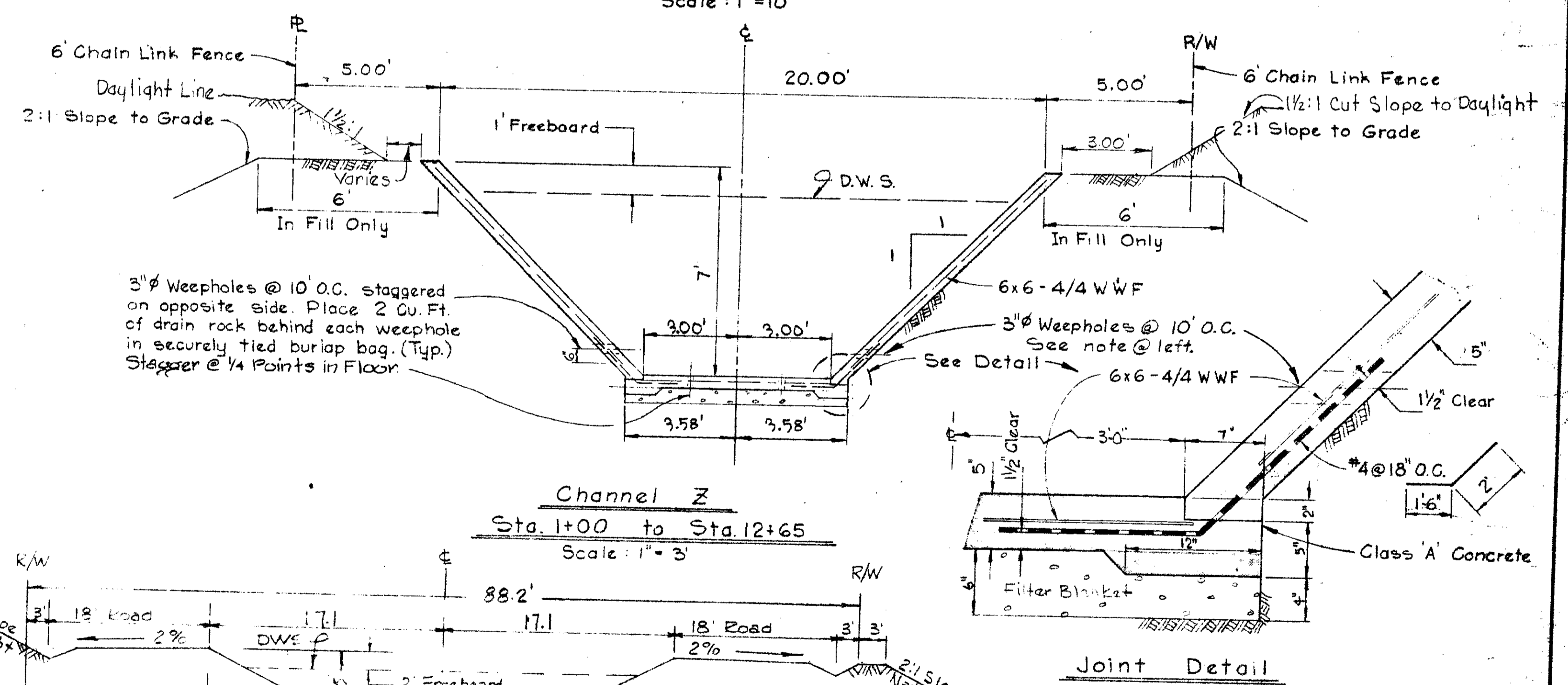
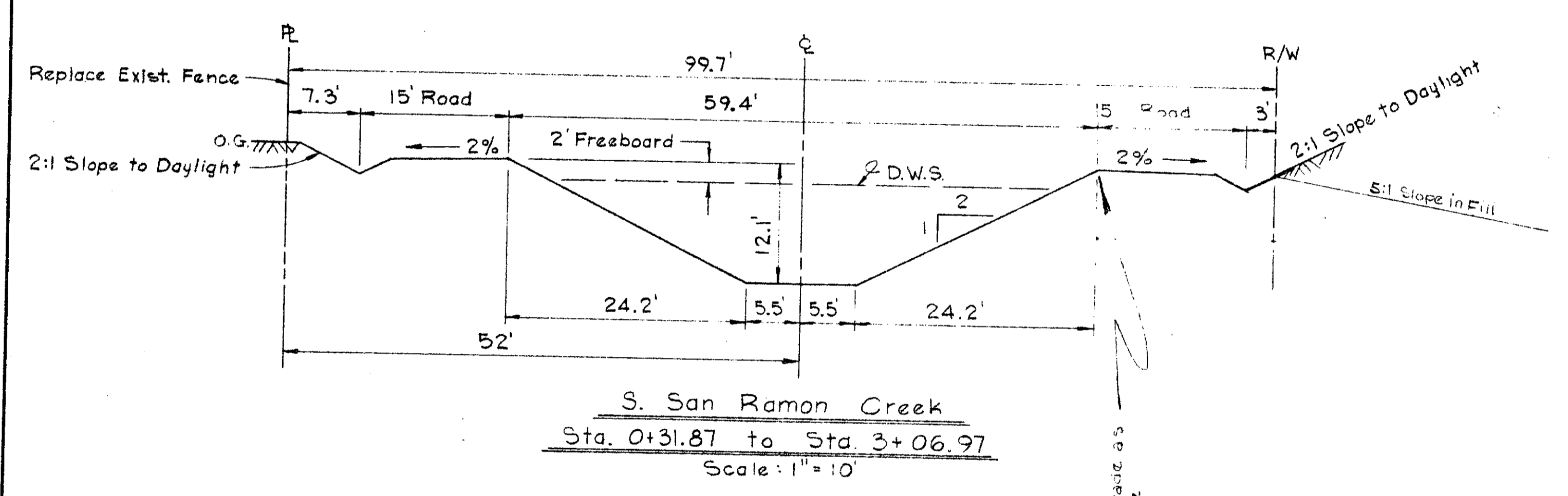
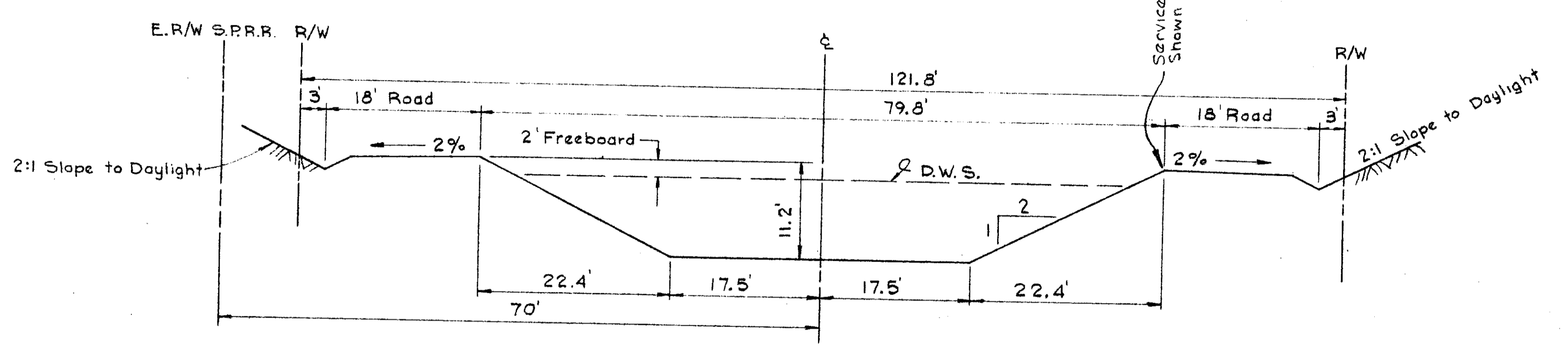
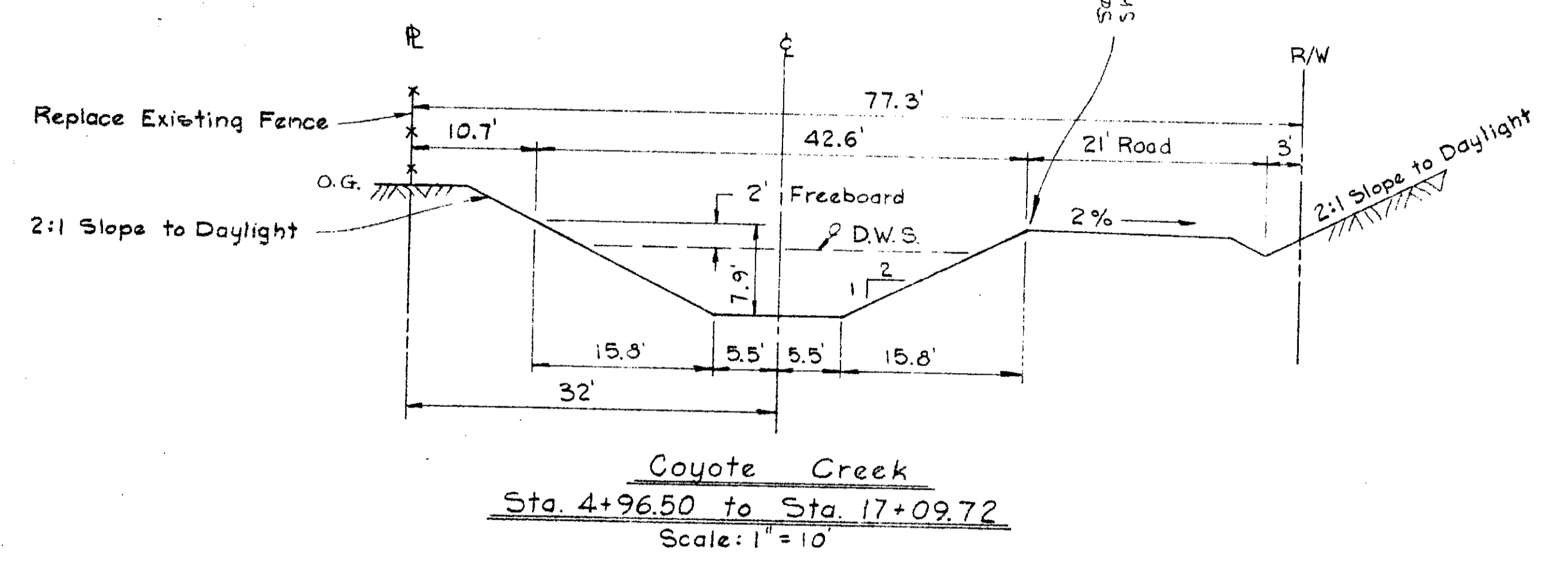
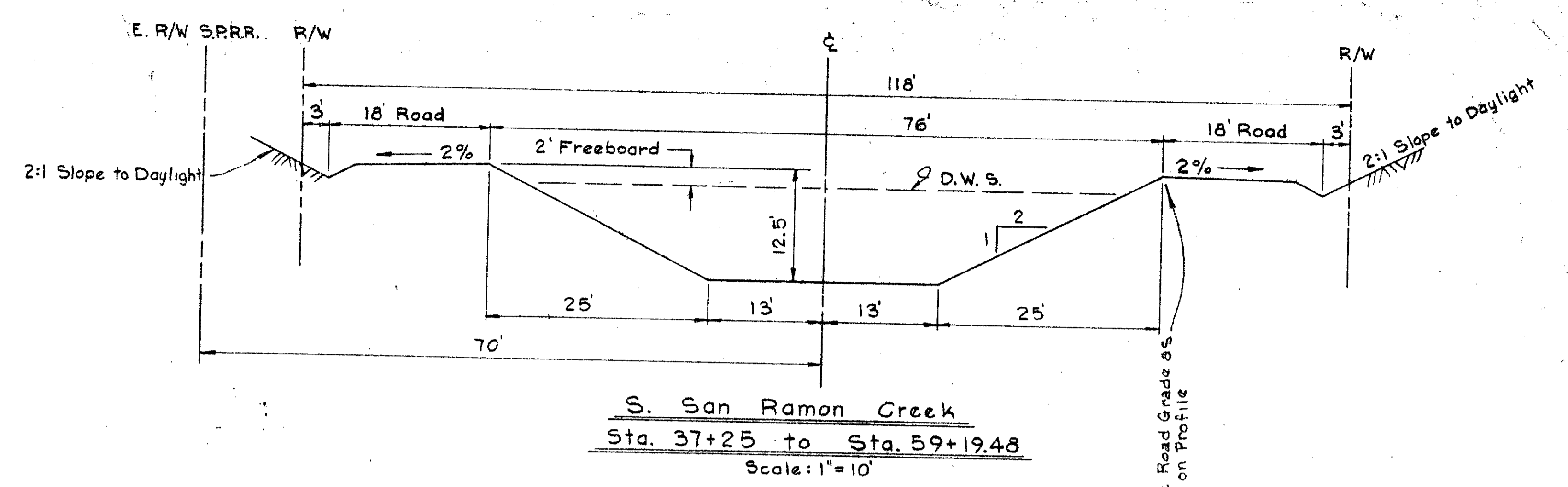
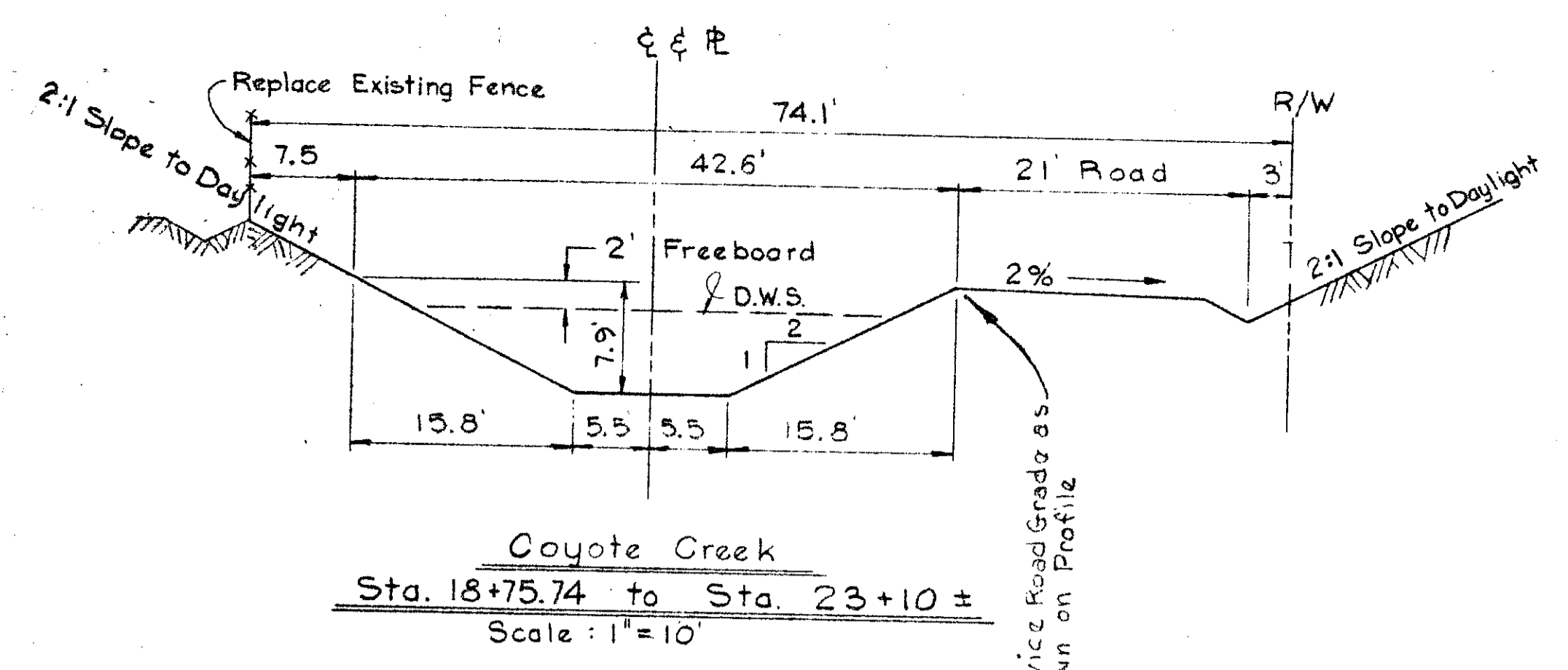
DESIGNED_RLW
DRAWN_RLW
CHECKED_DON

APPROVED
C. NEUBERGER
STATE OF CALIFORNIA
REGISTERED PROFESSIONAL ENGINEER
NO. 87193

DRAWING NUMBER
BE-169

SHEET NUMBER
13 of 36

DATE 8-25-1965



Contra Costa County Approval

NORRIS CREEK
Sta. 22+49.50 to Sta. 35+70.02
Scale: 1" = 10'

REV.	DATE	DESCRIPTION	BY	APPR.
5	7-11-64	Revised Joint Detail	G.J.F.	
4	7-21-65	Final County Corrections	RLW	
3	7/19/65	Add Typ. Fill Section	RLW	
2	6/1/65	County Corrections	RLW	
1	5/7/65	Design Check Changes	RLW	

ASSESSMENT DISTRICT 1966-1
SOUTH SAN RAMON CREEK RELOCATION
CONTRA COSTA COUNTY, CALIFORNIA

CHANNEL DETAILS

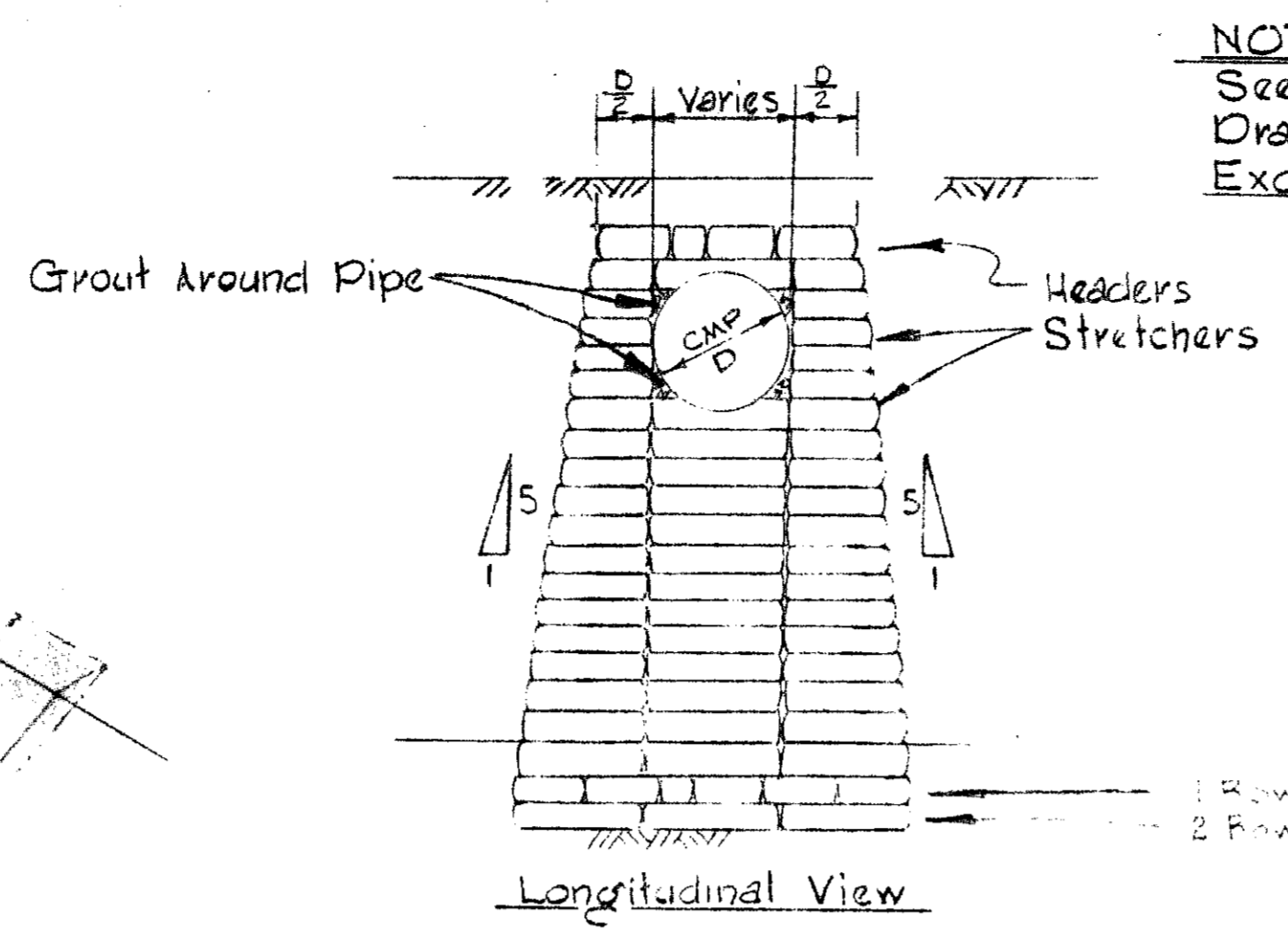
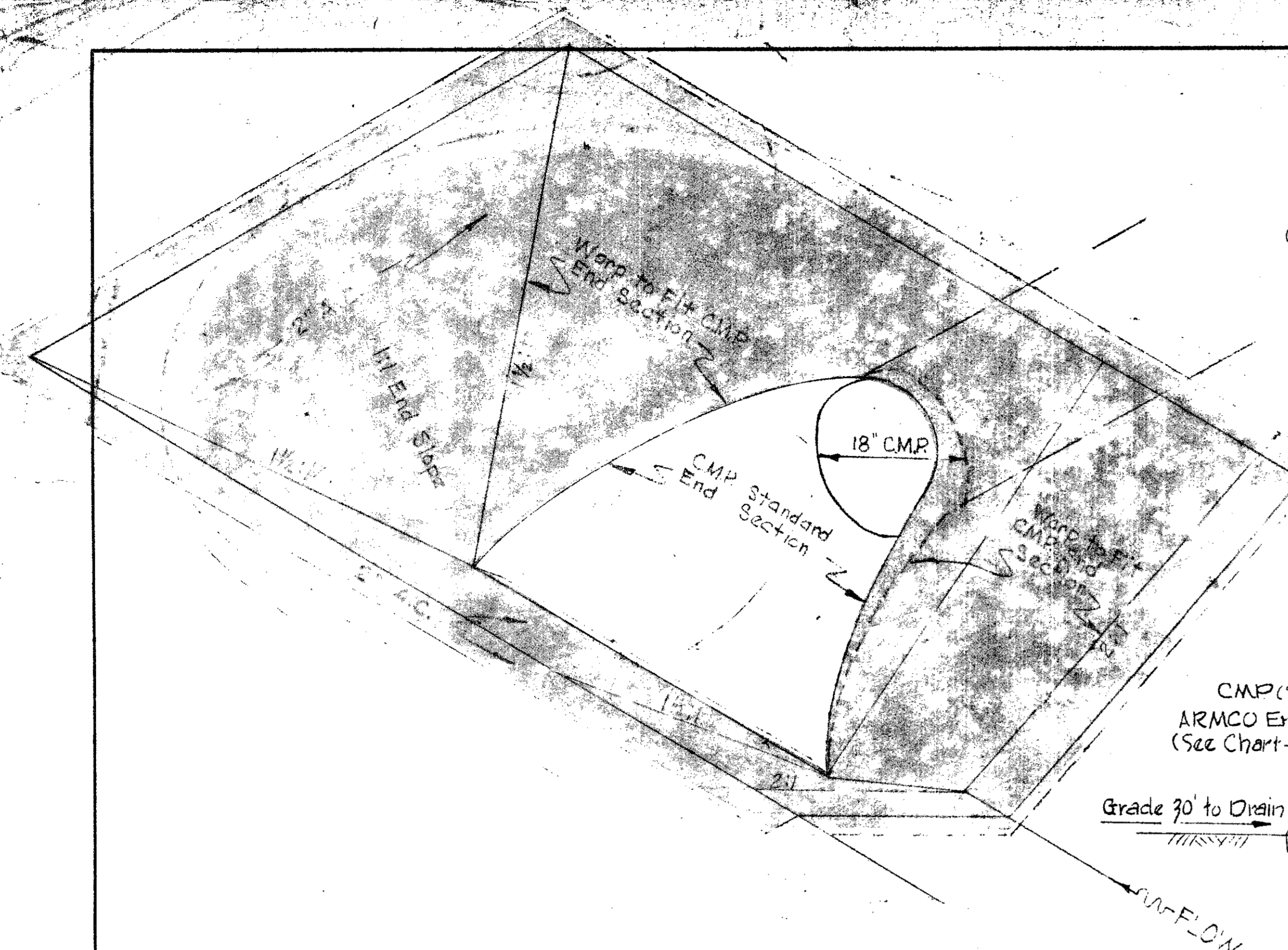
KENNETH G. VOLK AND ASSOCIATES
CONSULTING ENGINEERS

DESIGNED R.L.W.
DRAWN S.W.M.
CHECKED D.C.N.

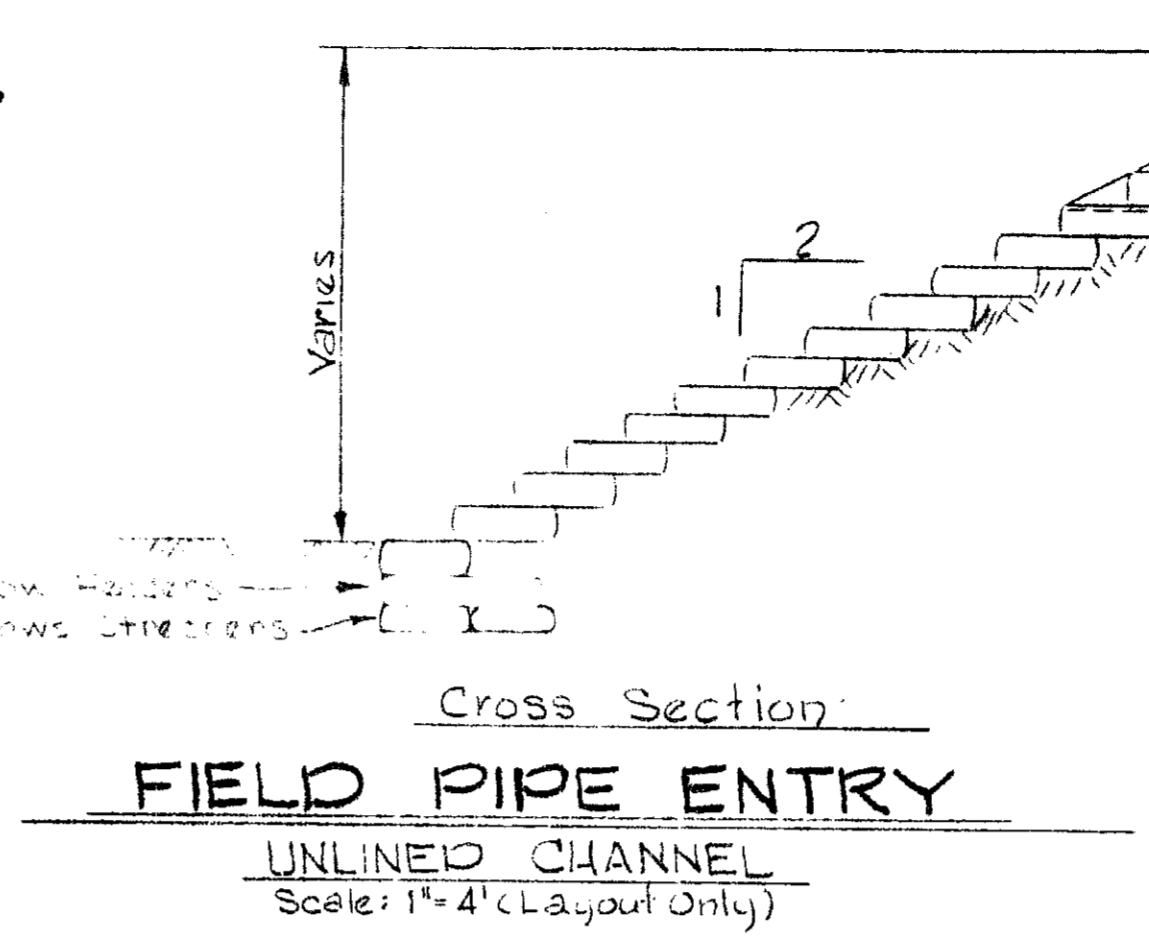
APPROVED: [Signature]
DATE 9-20-1965

DRAWING NUMBER
BE-169

SHEET NUMBER
14 of 36



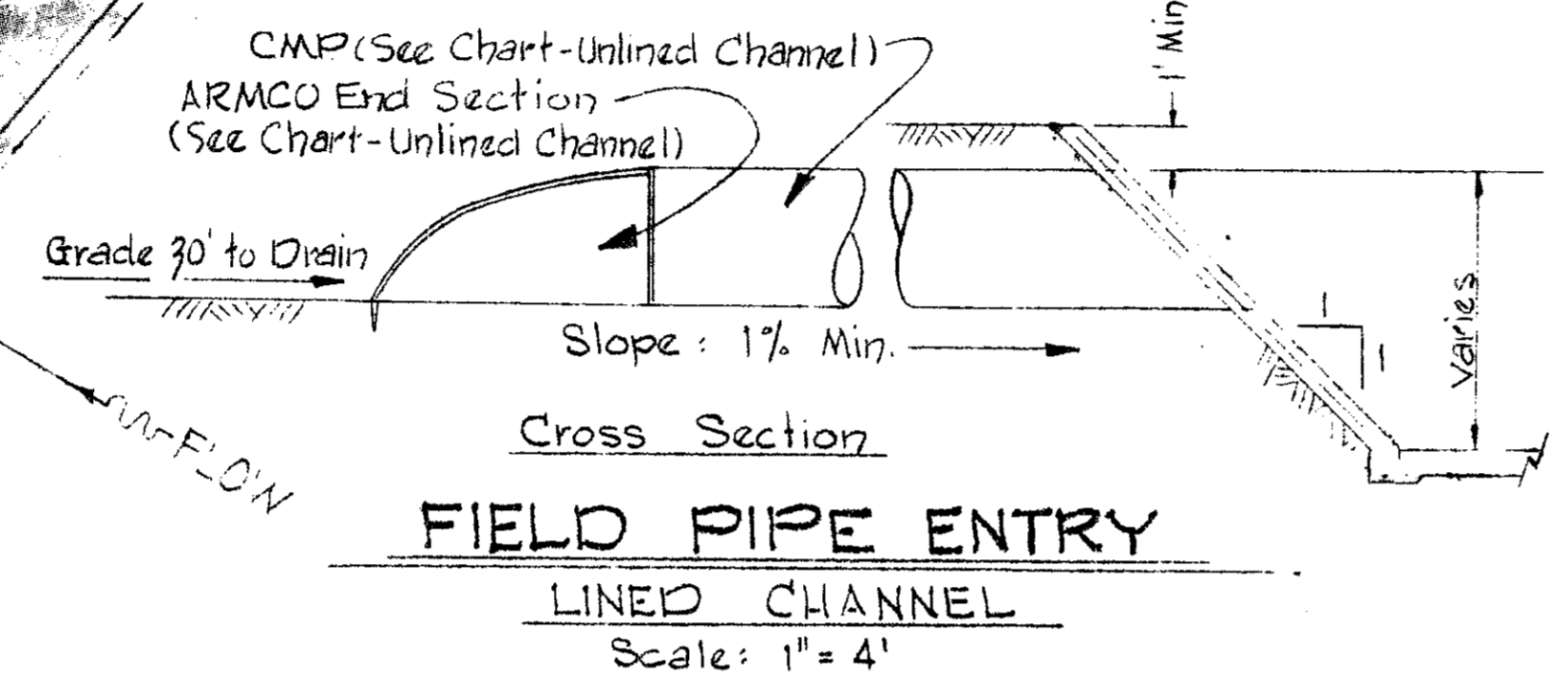
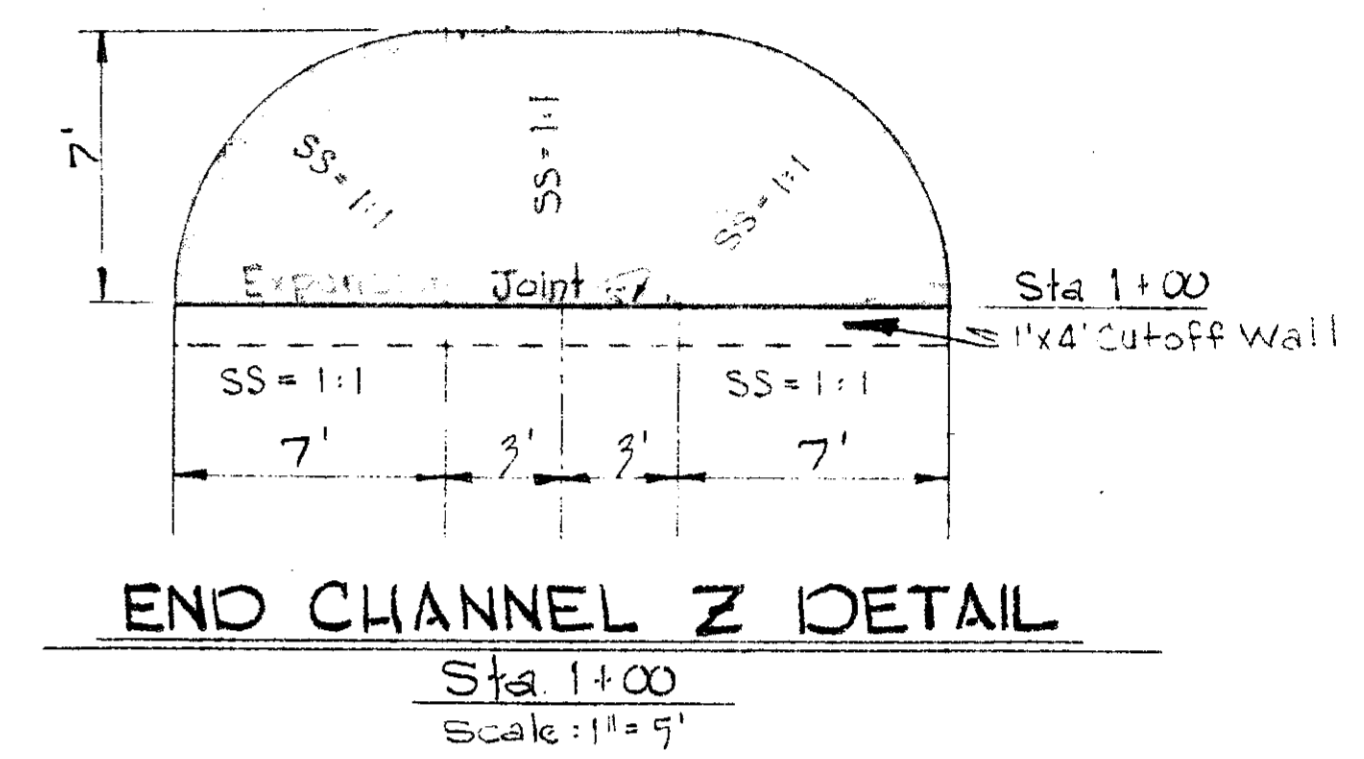
NOTE:
See Contra Costa County Flood Control
Drawing No B496350 For Specifications.
Exception: No Weepholes.



NOTE:
1. Location & Grade to be Set in Field @ Time of Constr.
2. Pave Around Field Entrance 1.5' Outside O.D. of Pipe Min. of 3" P.C.C. or Sacked Concrete.

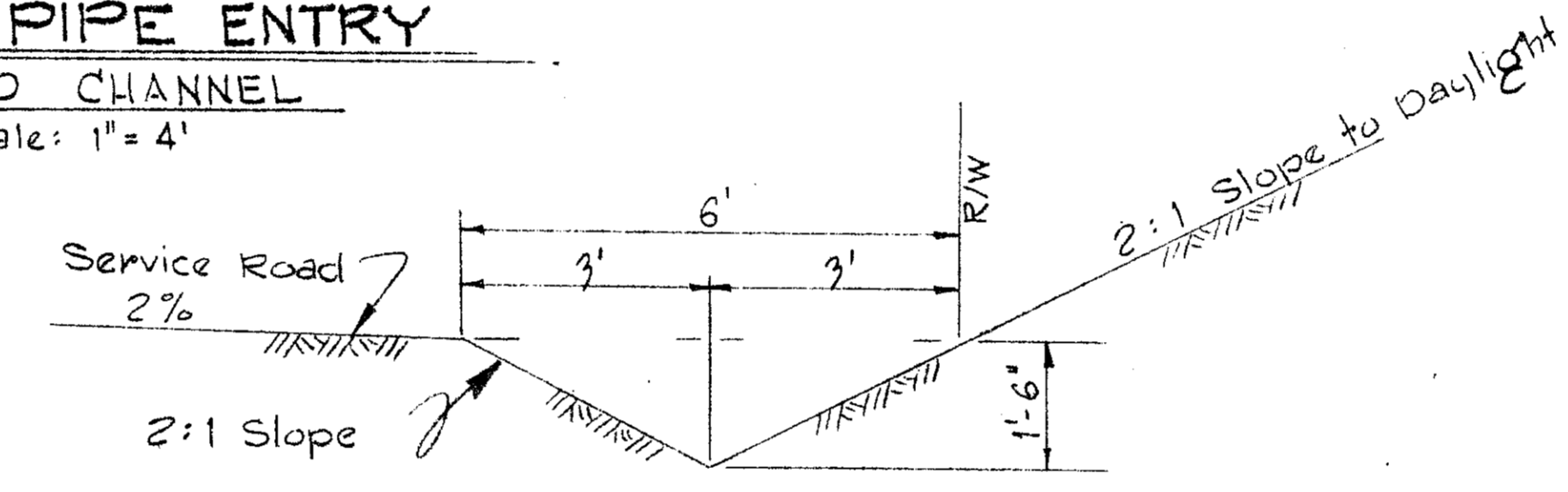
PIPE	SHAPE	GAGE	END SECTION GAGE
18"	Round	16	14
30"	Round	14	12
36"	Round	12	12
48"	Round	12	12
60"	Round	10	12

All C.M.P. to be Asbestos-Bonded & Asphaltic Dipped

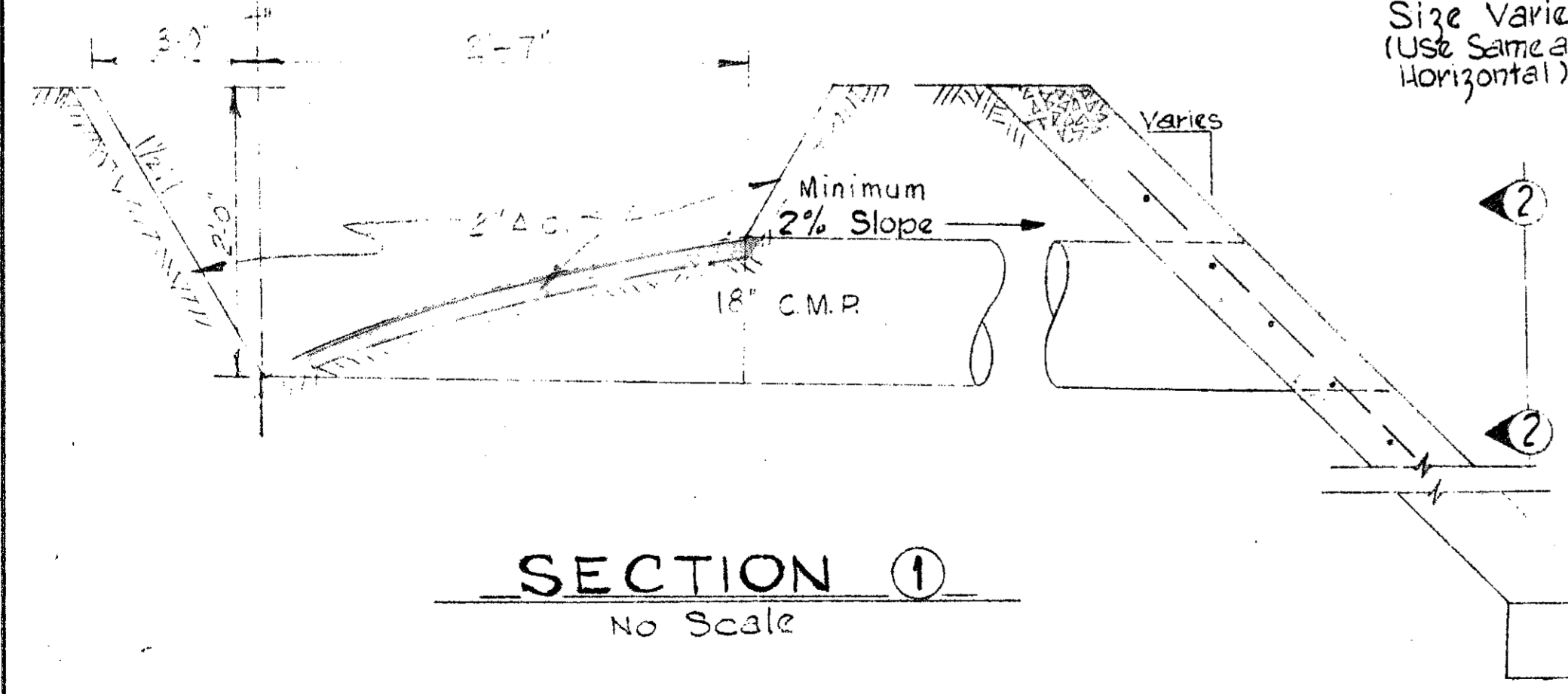
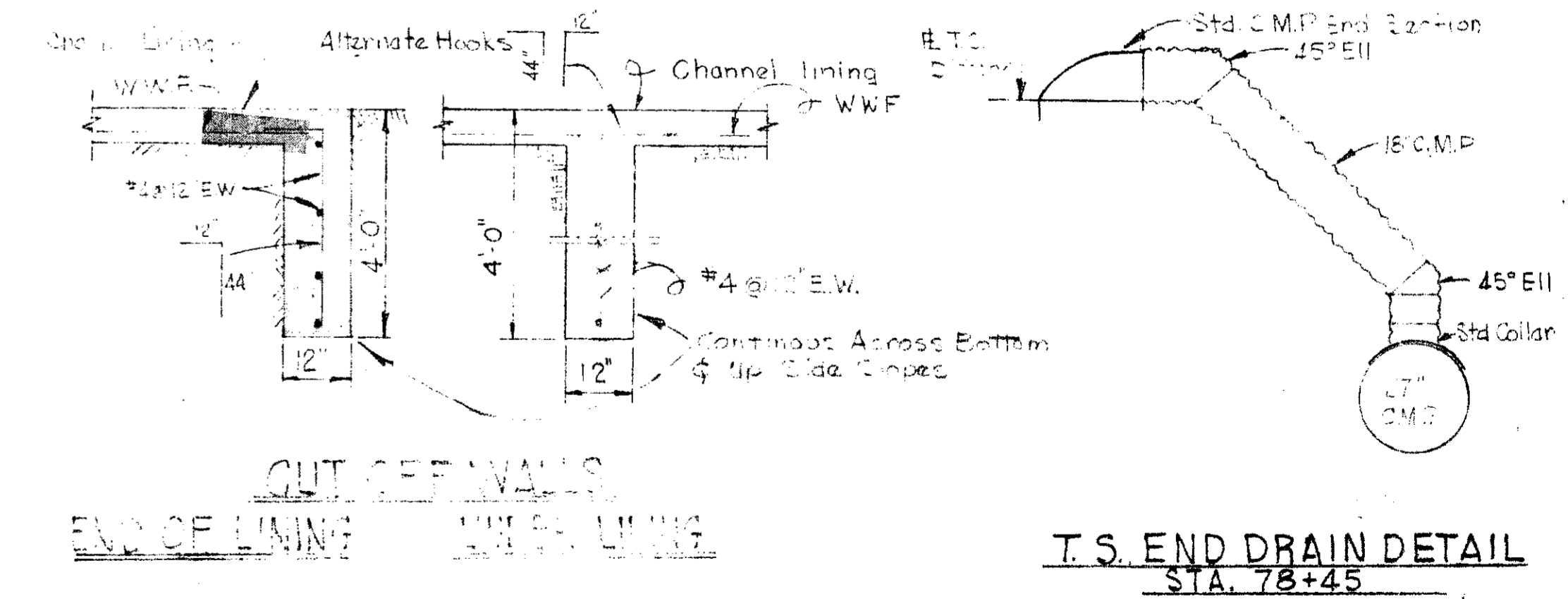
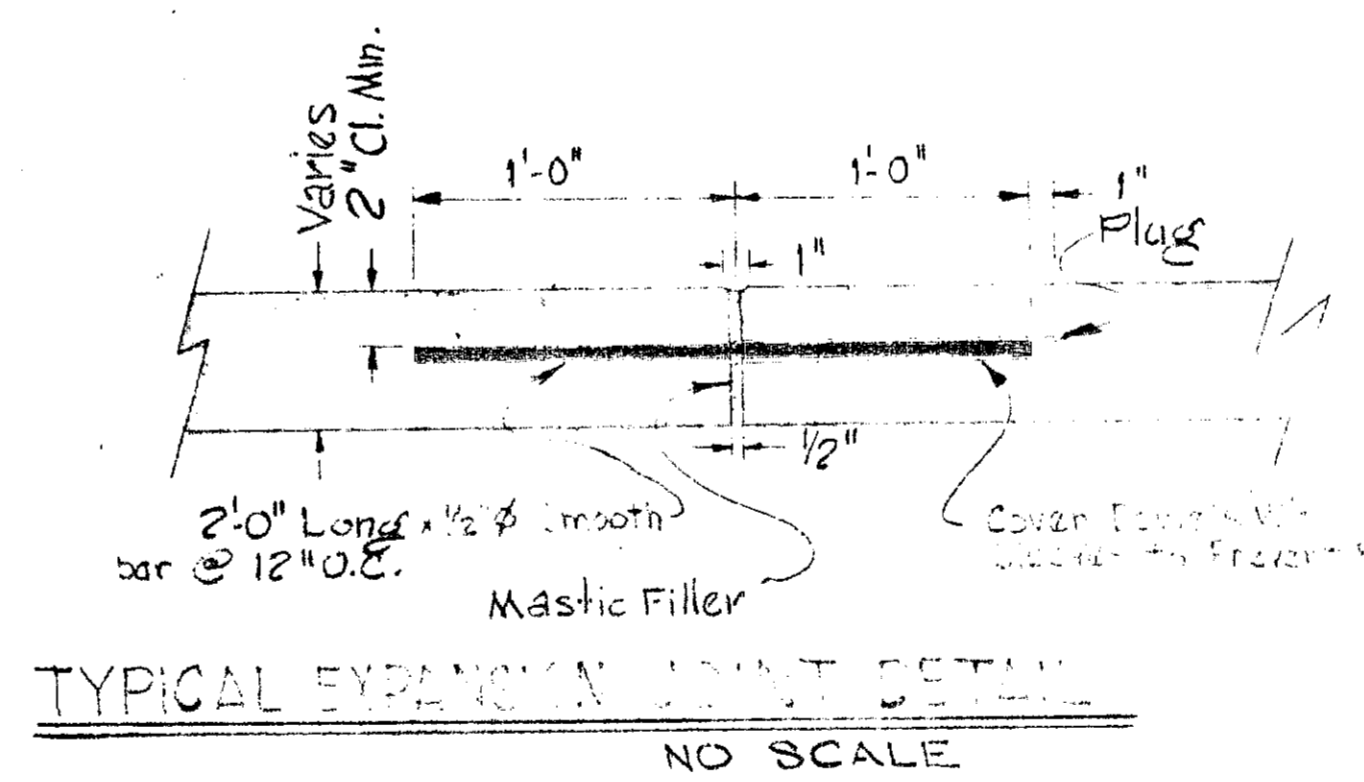
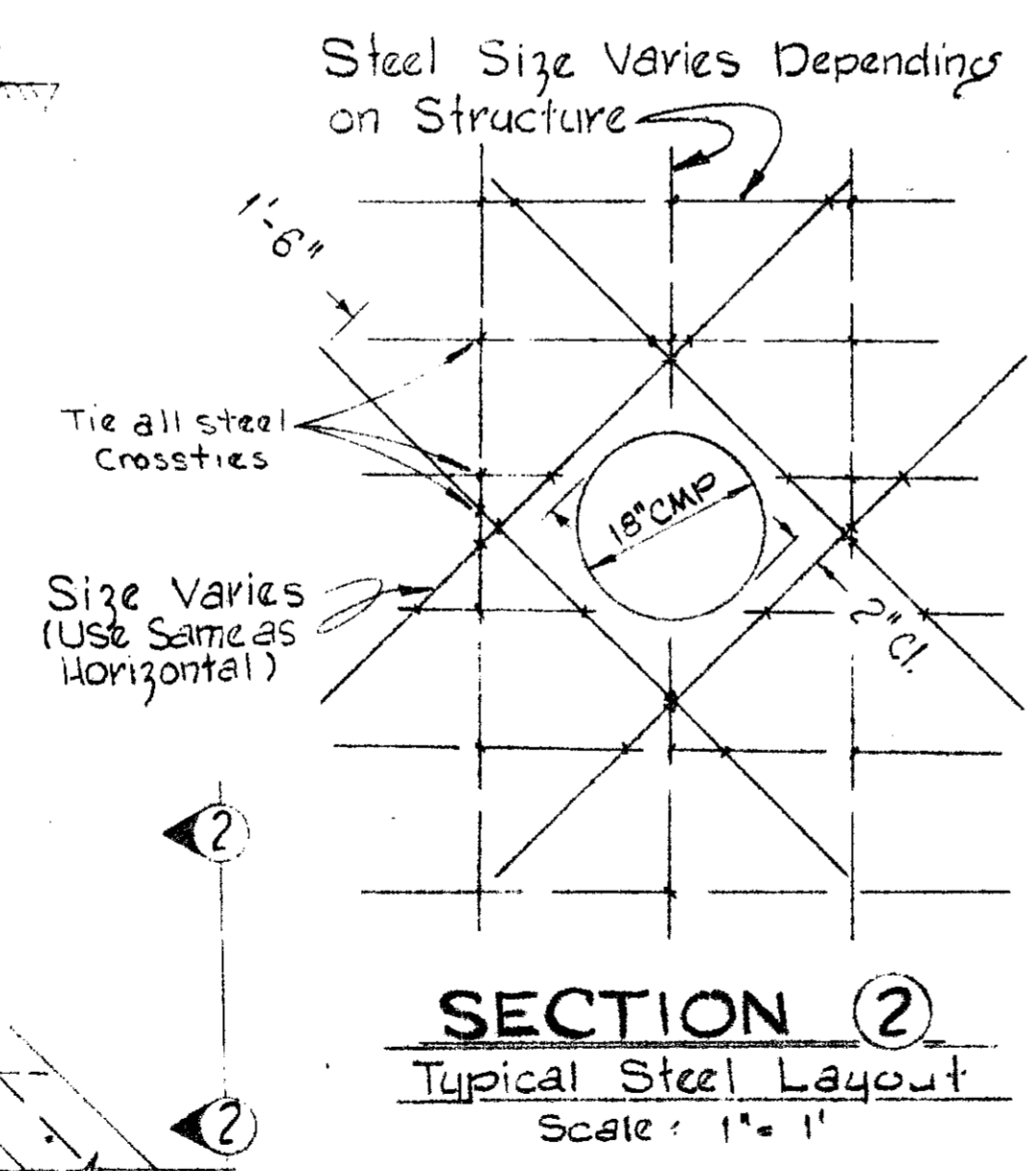
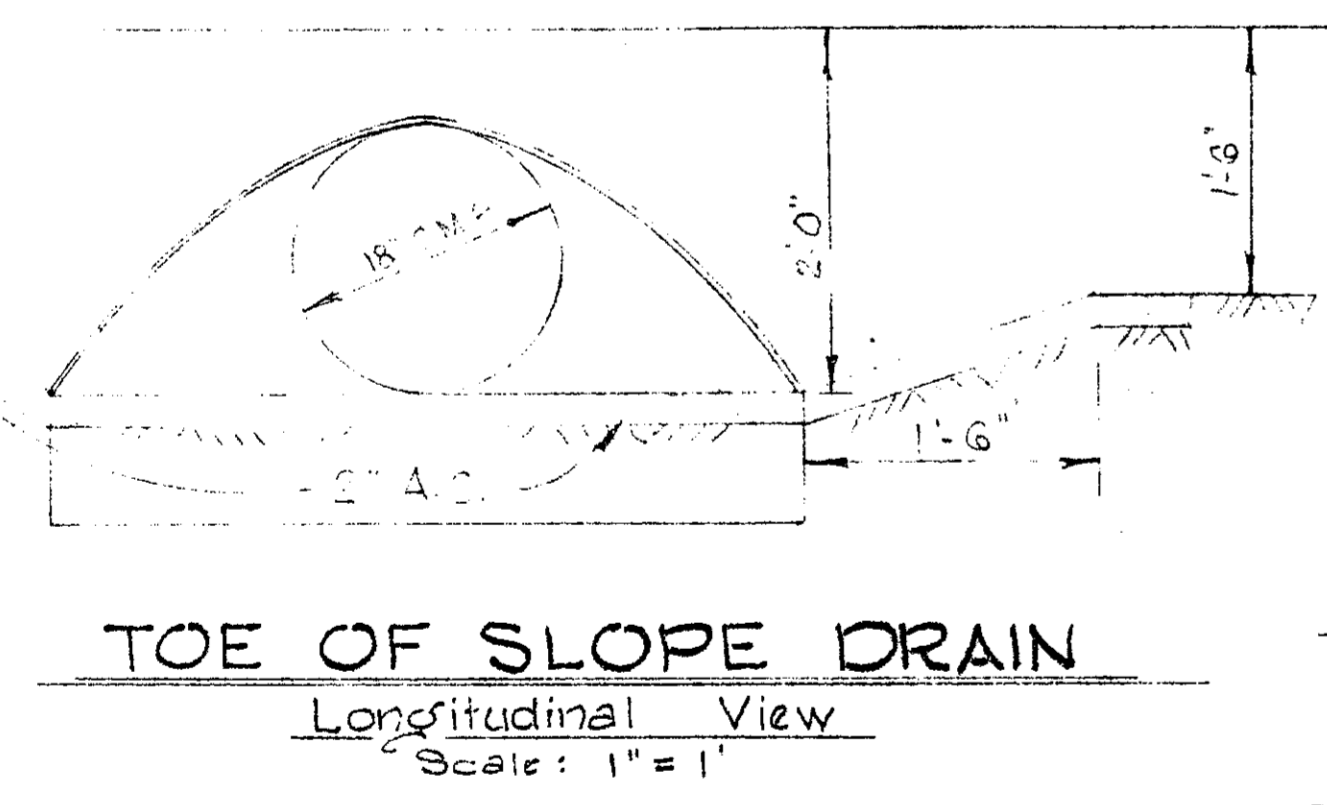


GENERAL NOTES

- SPECIFICATIONS:**
Design: AASHTO, Dated 1961
Construction: Standard Specifications, State of California, Dept. of Public Works, Div. of Highways, Dated July, 1964, and the Special Provisions.
- DESIGN STRESSES:**
Concrete: $f'_c = 3000$ psi.
 $f_c = 1200$ psi.
Steel: $f_s = 20,000$ psi.
 $n = 10$
- All Details are Typical. Similar Details Apply to Similar Conditions Unless Otherwise Noted.
- Reinforcing Steel Bars Shall be the High Bond Type, Intermediate Grade.
- Lap for Reinforcing Bars Shall be a Min. of 28 Bar Diameters at Splices Unless Otherwise Noted.
- Warped Portions of Channel Lining May be Constructed of Air Blown Mortar.
- All Weepholes to have 2 cu ft. of 2 min size Drain Rock Behind Each Weephole in Security Tied Burlap Bag.



TOE OF SLOPE GUTTER DETAIL



REV.	DATE	DESCRIPTION	BY	APPR	DATE
3	9-20-65	Final County Connection	RLW		
2	8/19/65	County Check Changes	RLW		
1	5/7/65	Design Check Changes	RLW		

ASSESSMENT DISTRICT 1966-1
SOUTH SAN RAMON CREEK RELOCATION
CONTRA COSTA COUNTY, CALIFORNIA

MISCELLANEOUS DETAILS

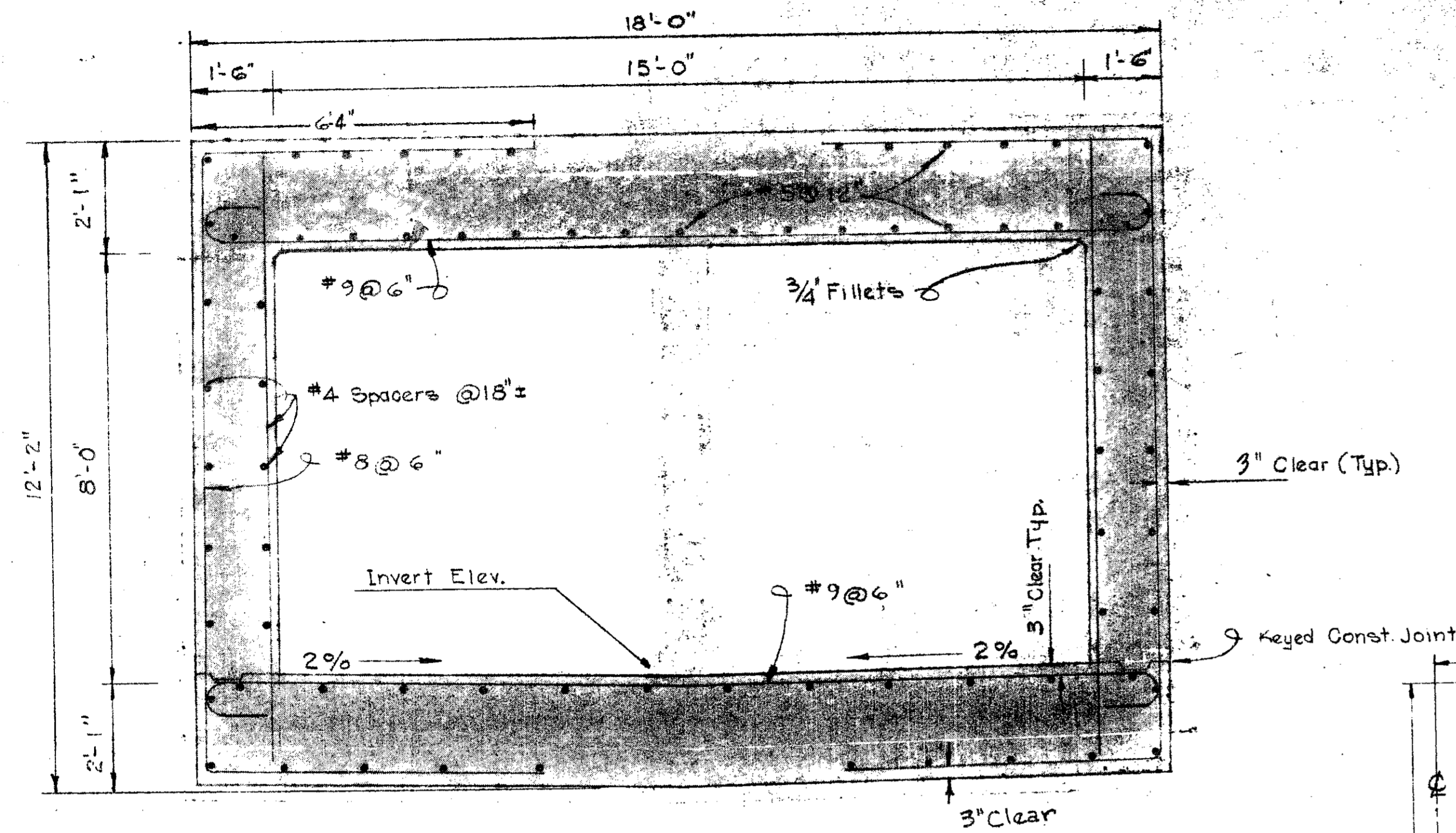
KENNETH Q. VOLK AND ASSOCIATES
CONSULTING ENGINEERS

DESIGNED RLW
DRAWN MWW
CHECKED DCN

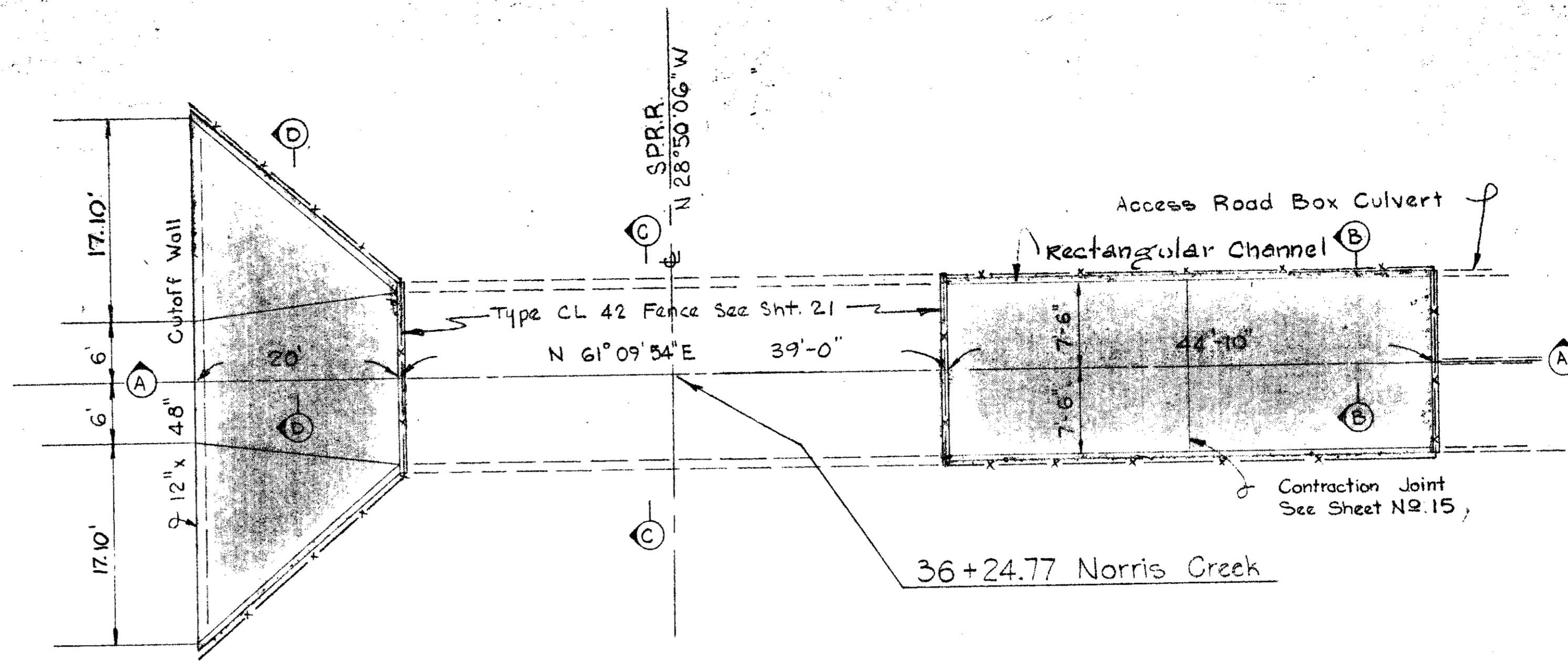
APPROVED: [Signature]
DATE: 3-20-1967

DRAWING NUMBER
BE-169

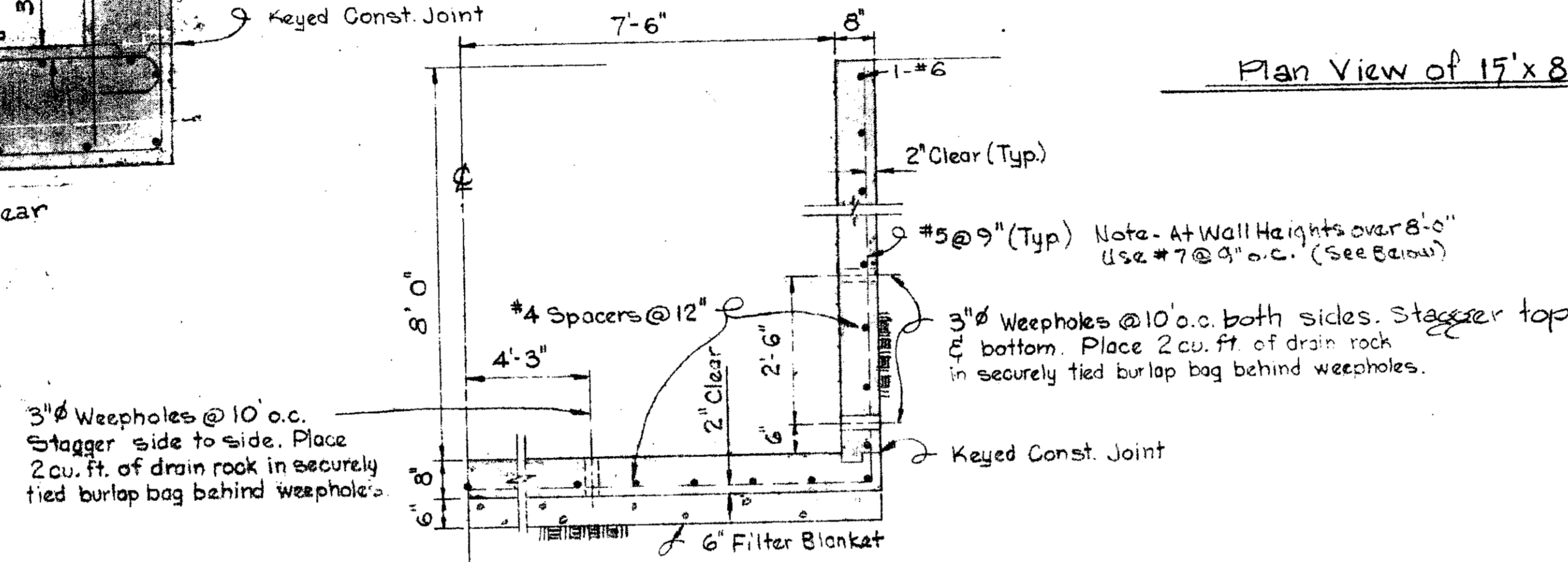
SHEET NUMBER
15 OF 36



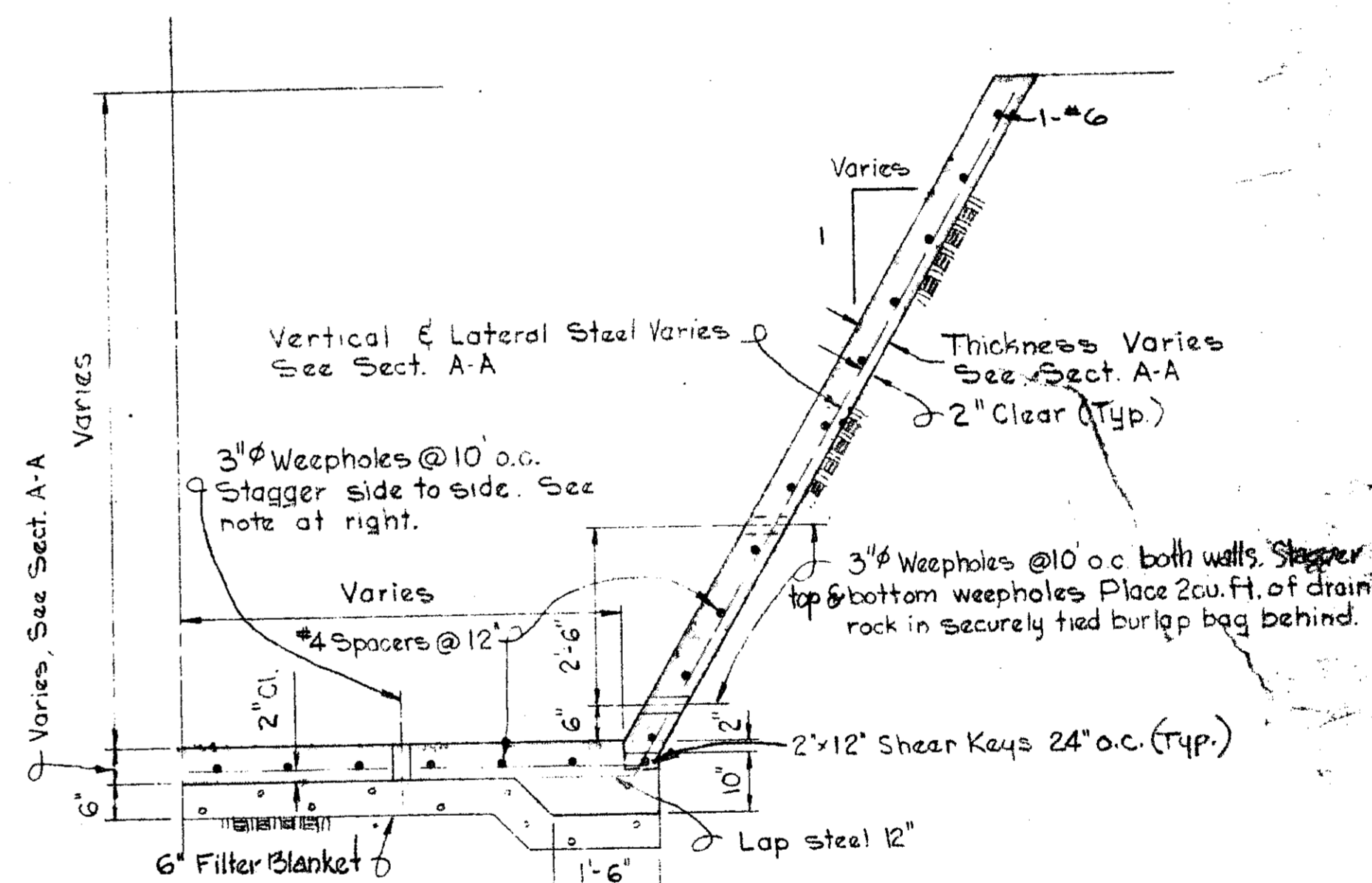
Section C-C
Scale: 1"=2'



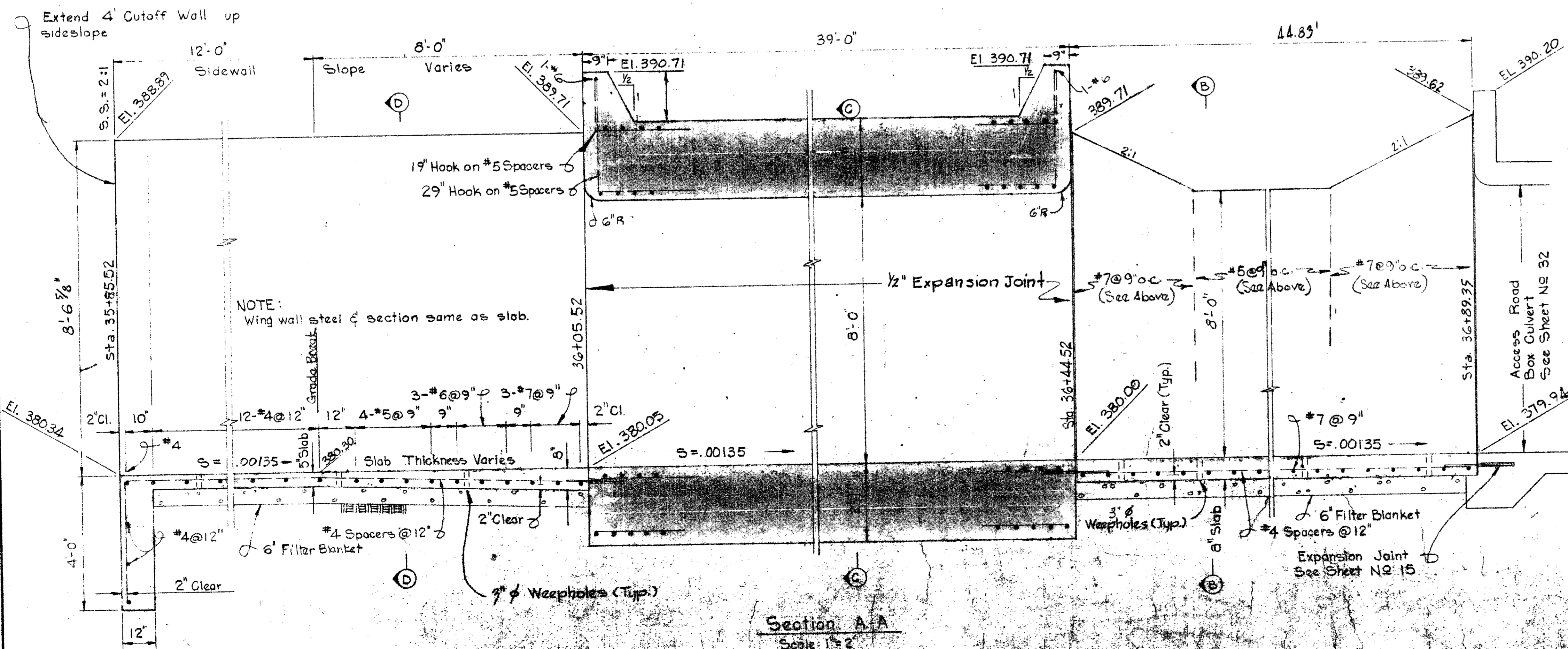
Plan View of 15' x 8' Box Culvert at S.P.R.R. and Rectangular Channel
No Scale



Section B-B
Scale: 1"=2'



Section D-D
Scale: 1"=2'



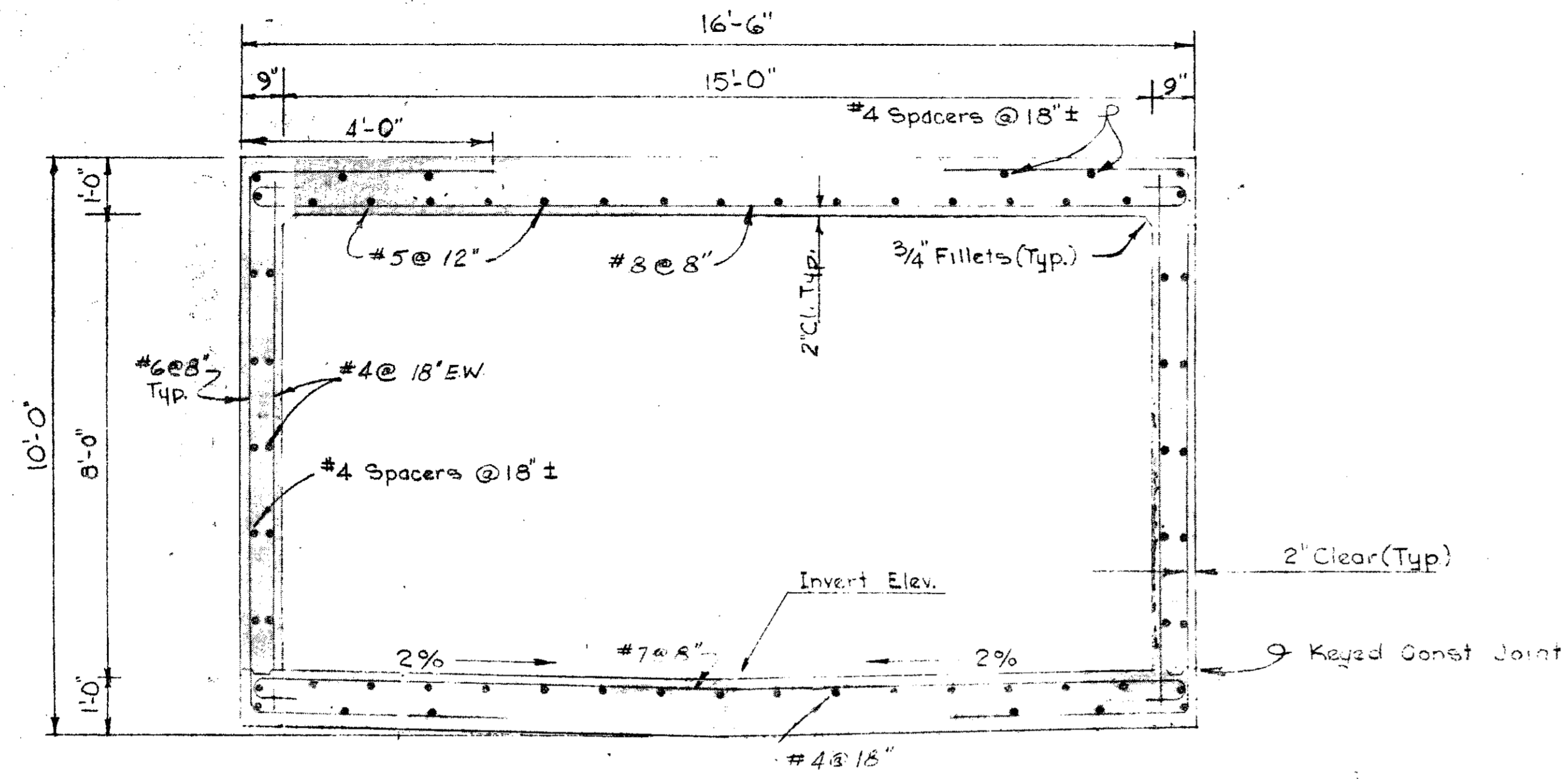
Section A-A
Scale: 1"=2'

Contra Costa County Approval

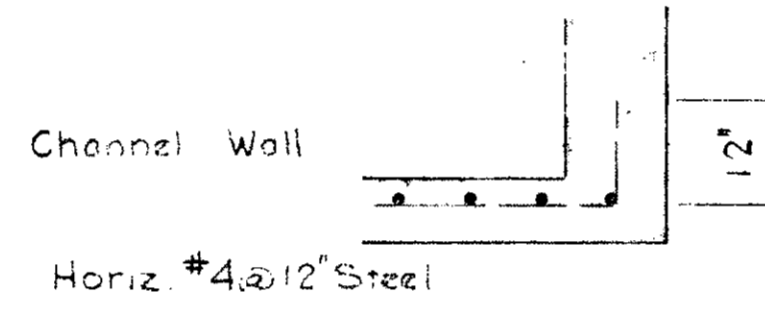
ASSESSMENT DISTRICT 1966-1	
SOUTH SAN RAMON CREEK RELOCATION CONTRA COSTA COUNTY, CALIFORNIA	
SINGLE 15' x 8' BOX CULVERT NORRIS CR. AT S.P.R.R.	
KENNETH Q. VOLK AND ASSOCIATES CONSULTING ENGINEERS	
DESIGNED D.G.N.	APPROVED
DRAWN S.W.M.	CHECKED D.G.N.
DATE 3-22-1965	DATE 3-22-1965
REV.	DATE
DESCRIPTION	BY
APPR	DATE
DRAWING NUMBER BE-169	
SHEET NUMBER 31 OF 36	

See Sheet N2.15 For All General Notes

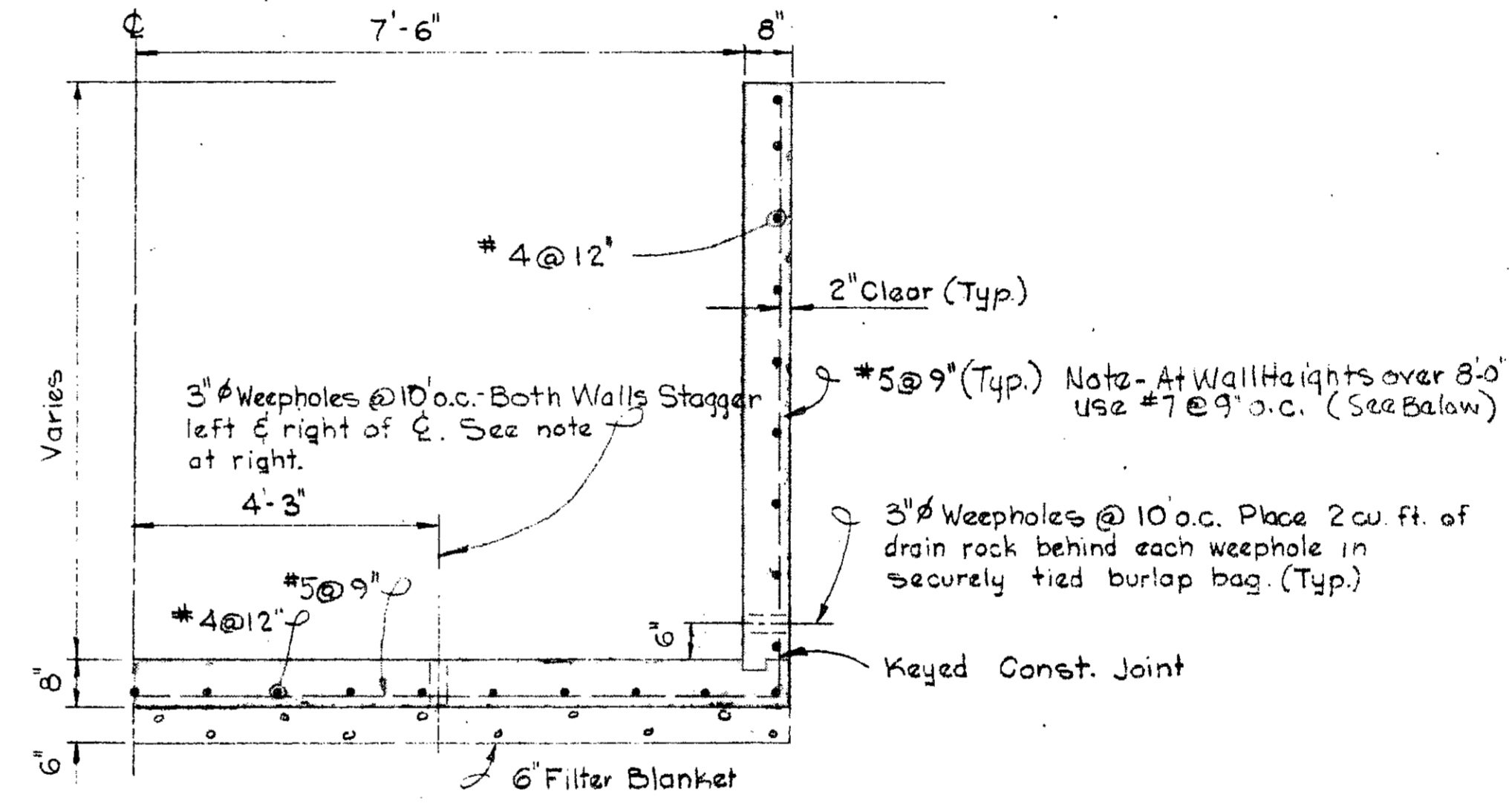
5	9-3-65	Revised Steel in R.C. Box	RLW
4	7-19-65	Design Check Changes	RLW
3	7-15-65	Revise Box Profile	RLW
2	6-11-65	Change Culvert Size	RLW
1	5-17-65	Design Check Changes	RLW



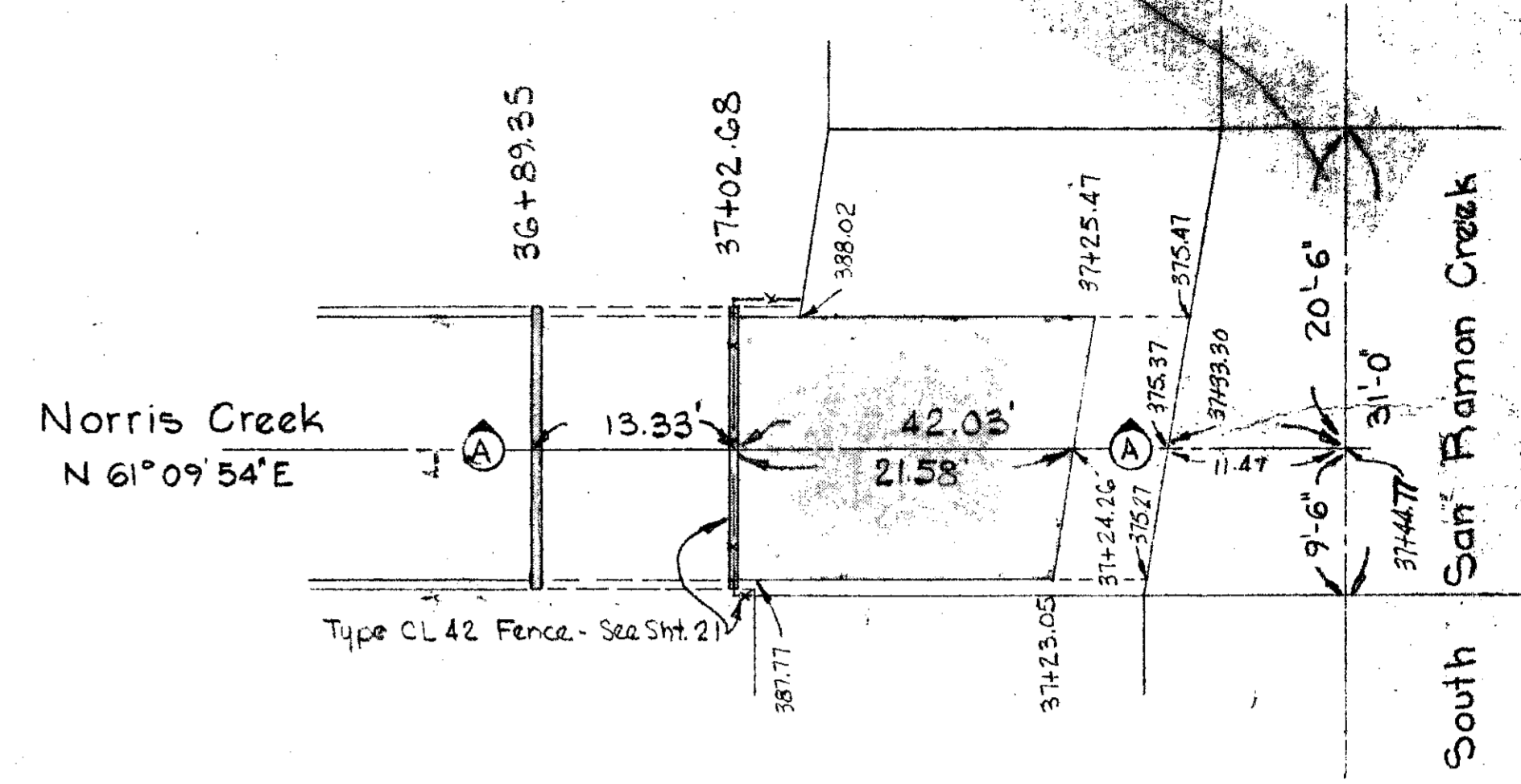
Section C-C
Scale: 1"=2'



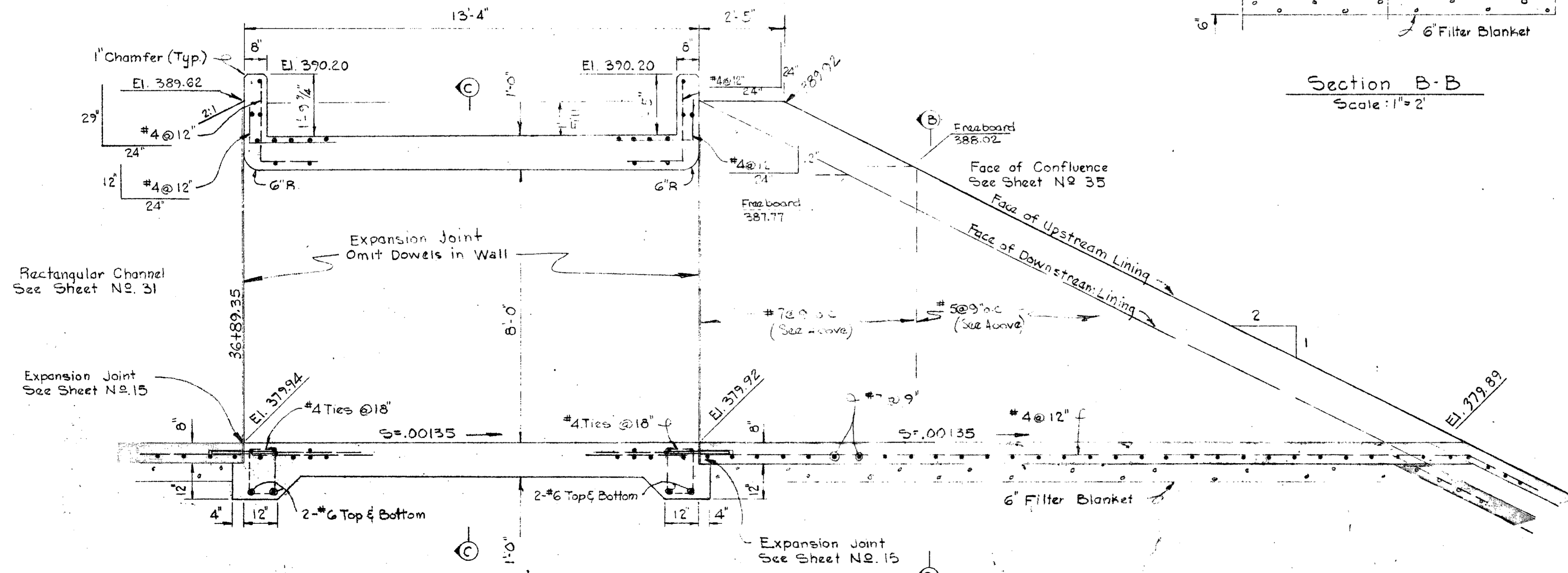
Section D-D
Scale: 1"=2'



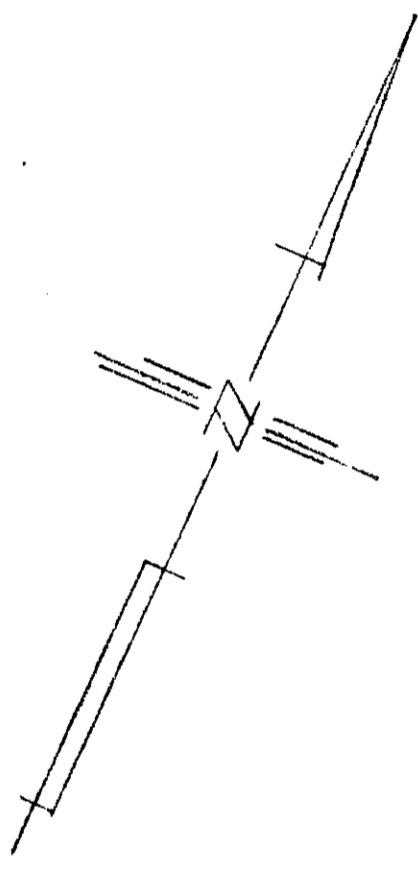
Section B-B
Scale: 1"=2'



Plan View of 15'x8' Box Culvert
Scale: 1"=10'



Section A-A
Scale: 1"=2'



Contra Costa County Approval

ASSESSMENT DISTRICT 1966-1
SOUTH SAN RAMON CREEK RELOCATION
CONTRA COSTA COUNTY, CALIFORNIA

**SINGLE 15'x8' BOX CULVERT
NORRIS CREEK AT SERVICE RD**

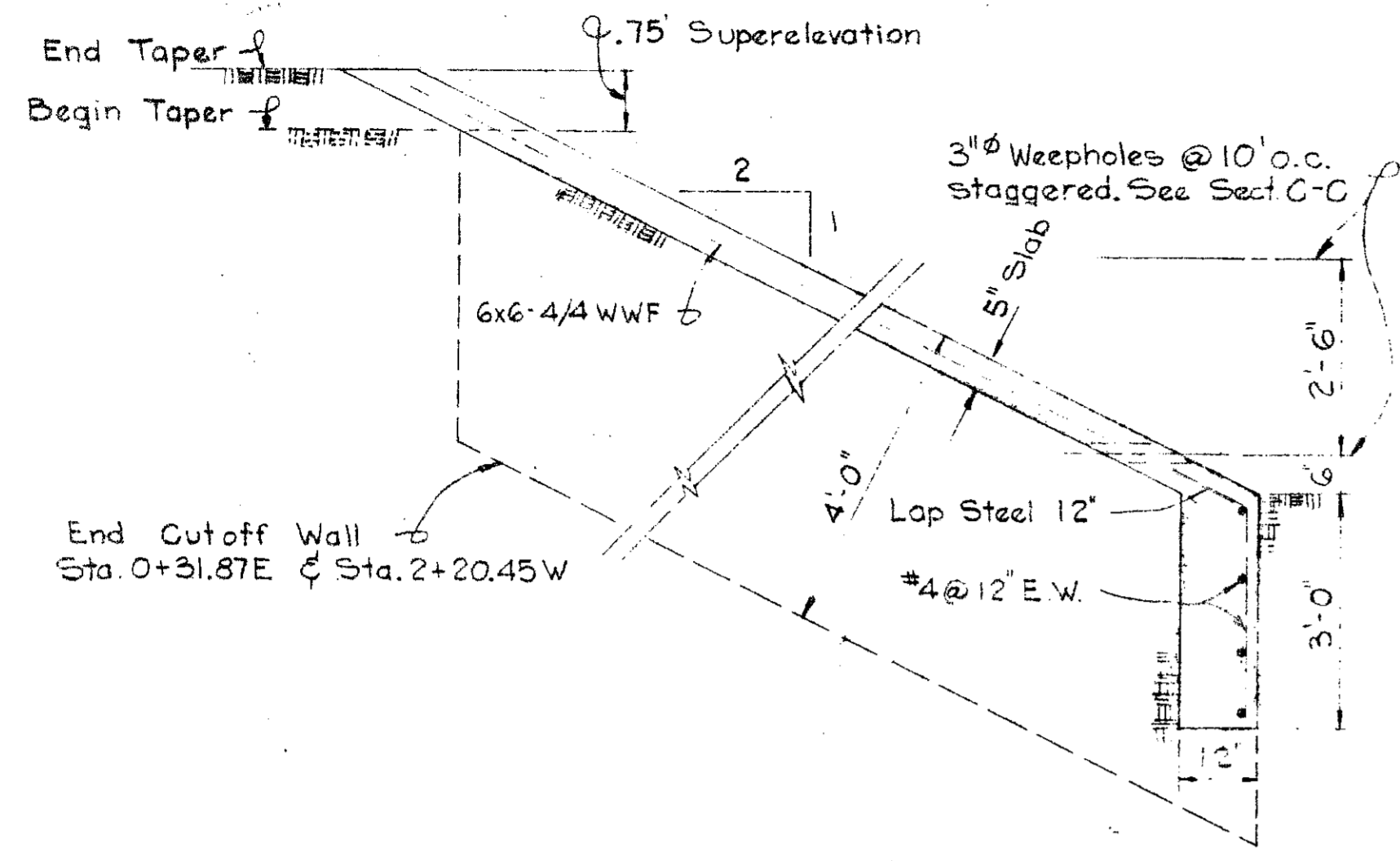
KENNETH Q. VOLK AND ASSOCIATES
CONSULTING ENGINEERS

DESIGNED D.C.N.	APPROVED	DRAWING NUMBER
DRAWN S.W.M.	<i>[Signature]</i>	BE-169
CHECKED D.C.N.		SHEET NUMBER
		32 of 36

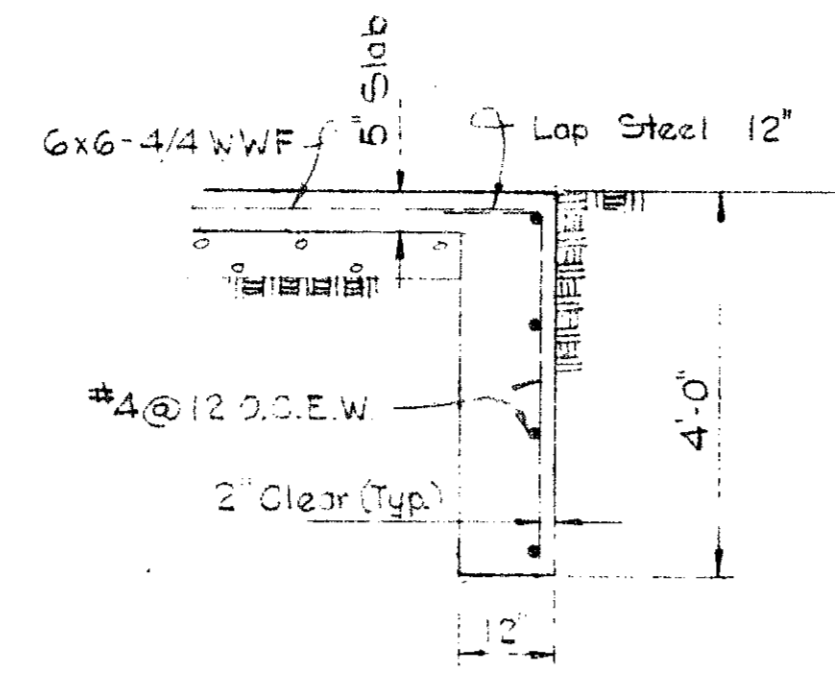
DATE 7-20-1965

See Sheet No 15 For General Notes

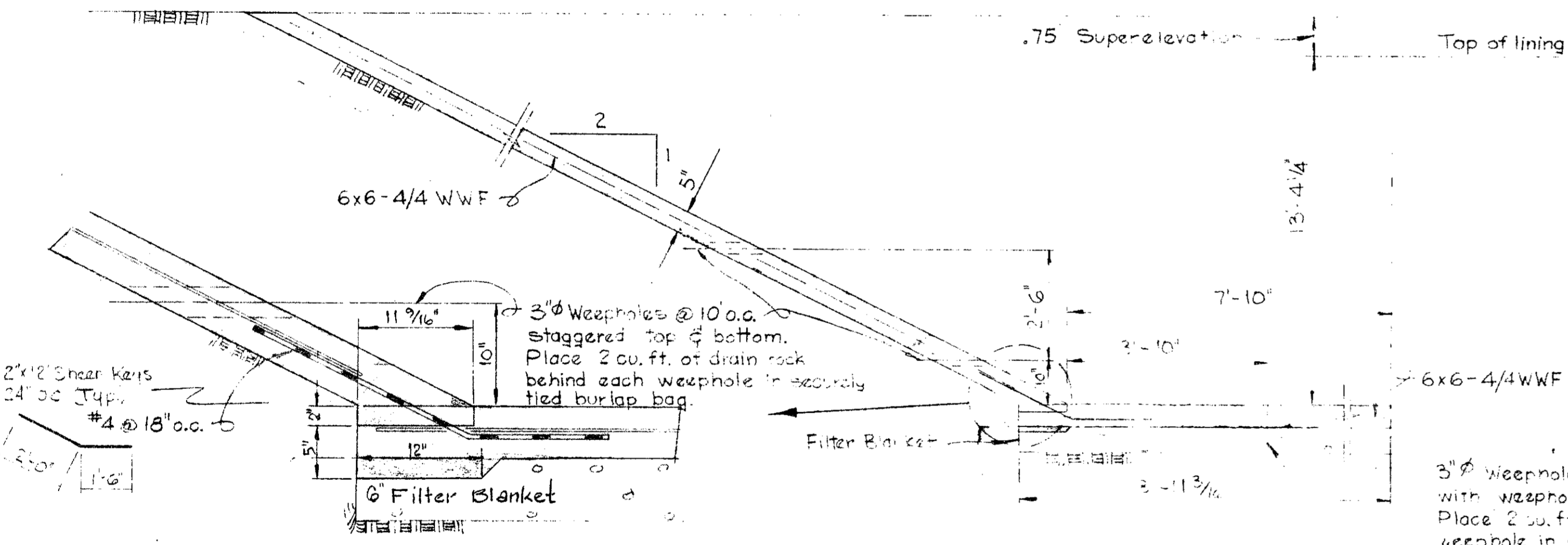
REV.	DATE	DESCRIPTION	BY	APPR
1		Thistle Reviser Profile	ALW	



Section B-B
Scale: 1" = 2'

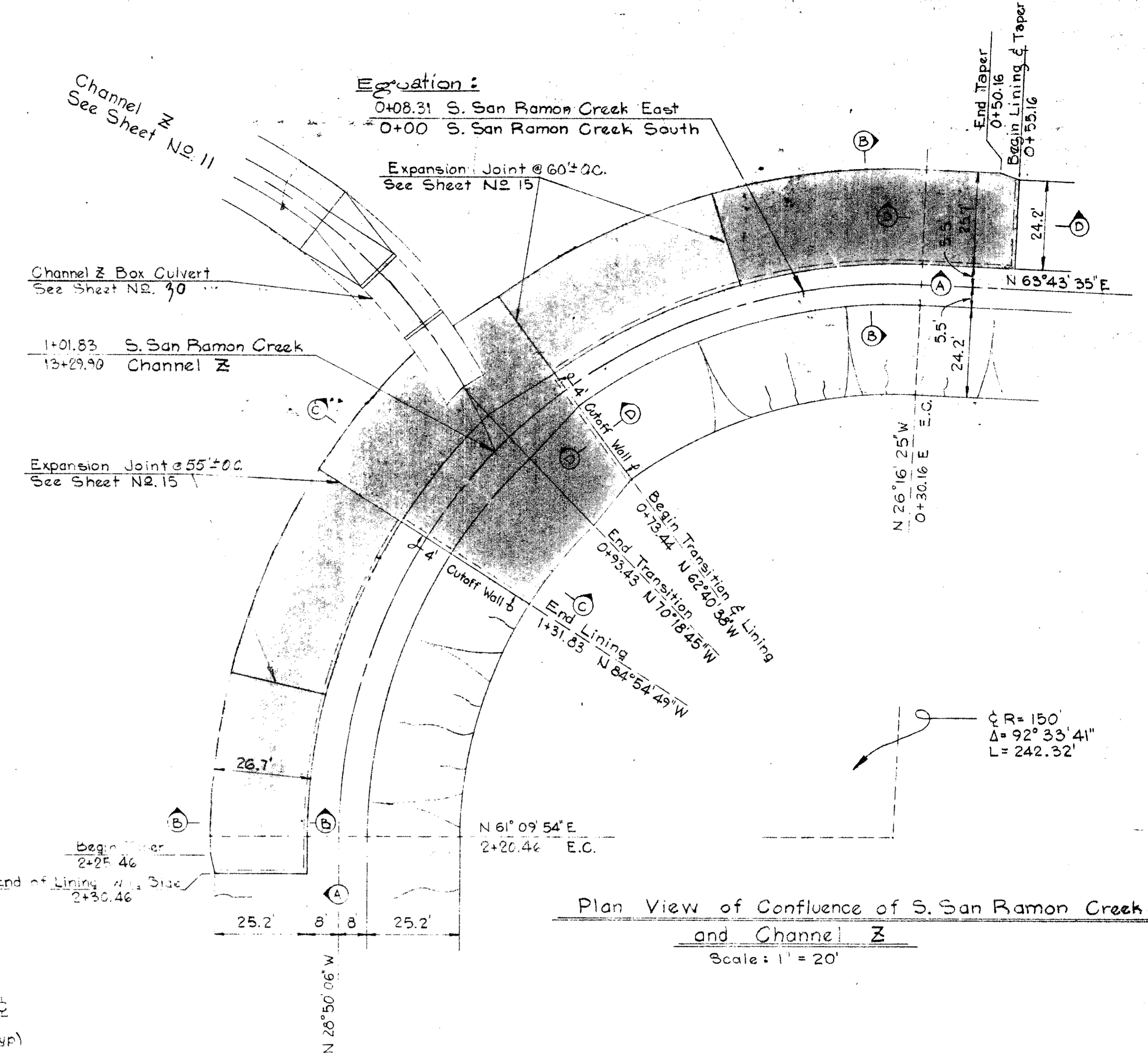


Section D-D
Scale: 1" = 2'



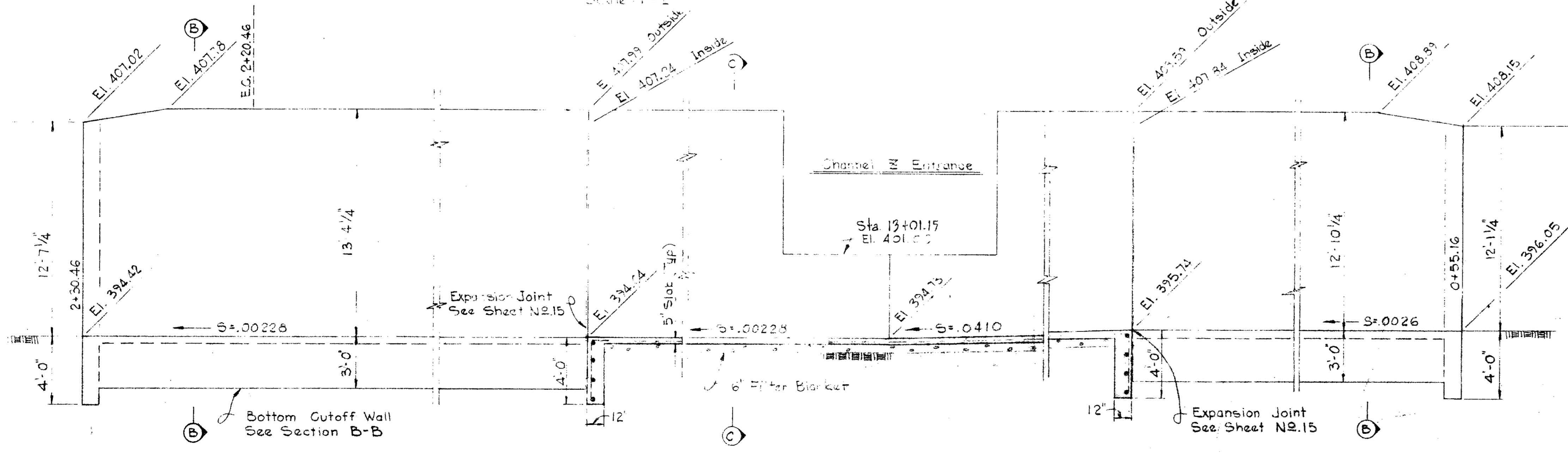
Section C-C
Scale: 1" = 2'

⊕ Symmetrical, except for super-elevation



Plan View of Confluence of S. San Ramon Creek and Channel Z
Scale: 1" = 20'

For All General Notes, See Sheet No. 15



Section A-A
Scale: 1" = 4'

Contra Costa County Approval

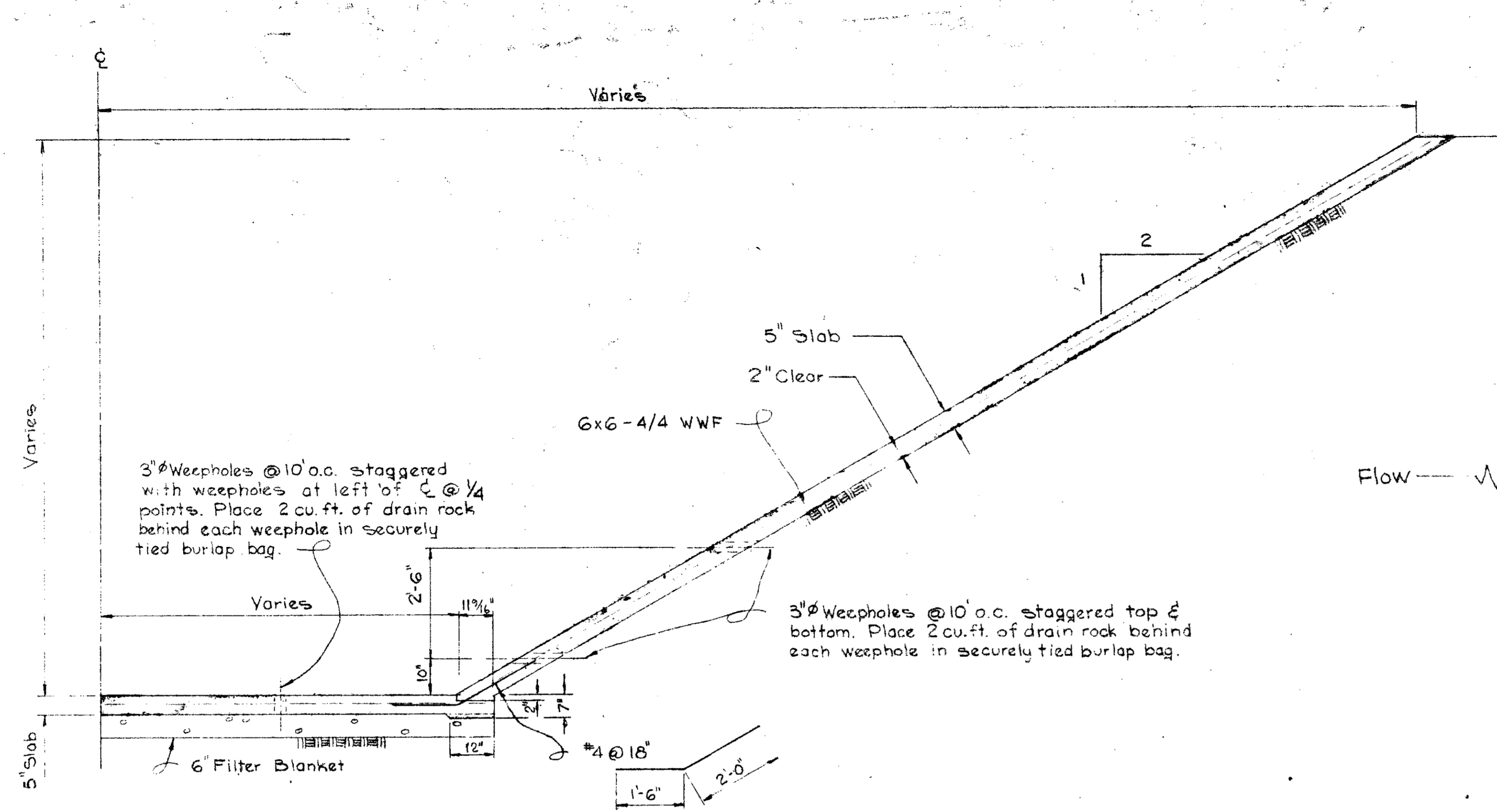
ASSESSMENT DISTRICT 1966-1
SOUTH SAN RAMON CREEK RELOCATION
CONTRA COSTA COUNTY, CALIFORNIA

CONFLUENCE OF CHANNEL Z
AND S. SAN RAMON CREEK

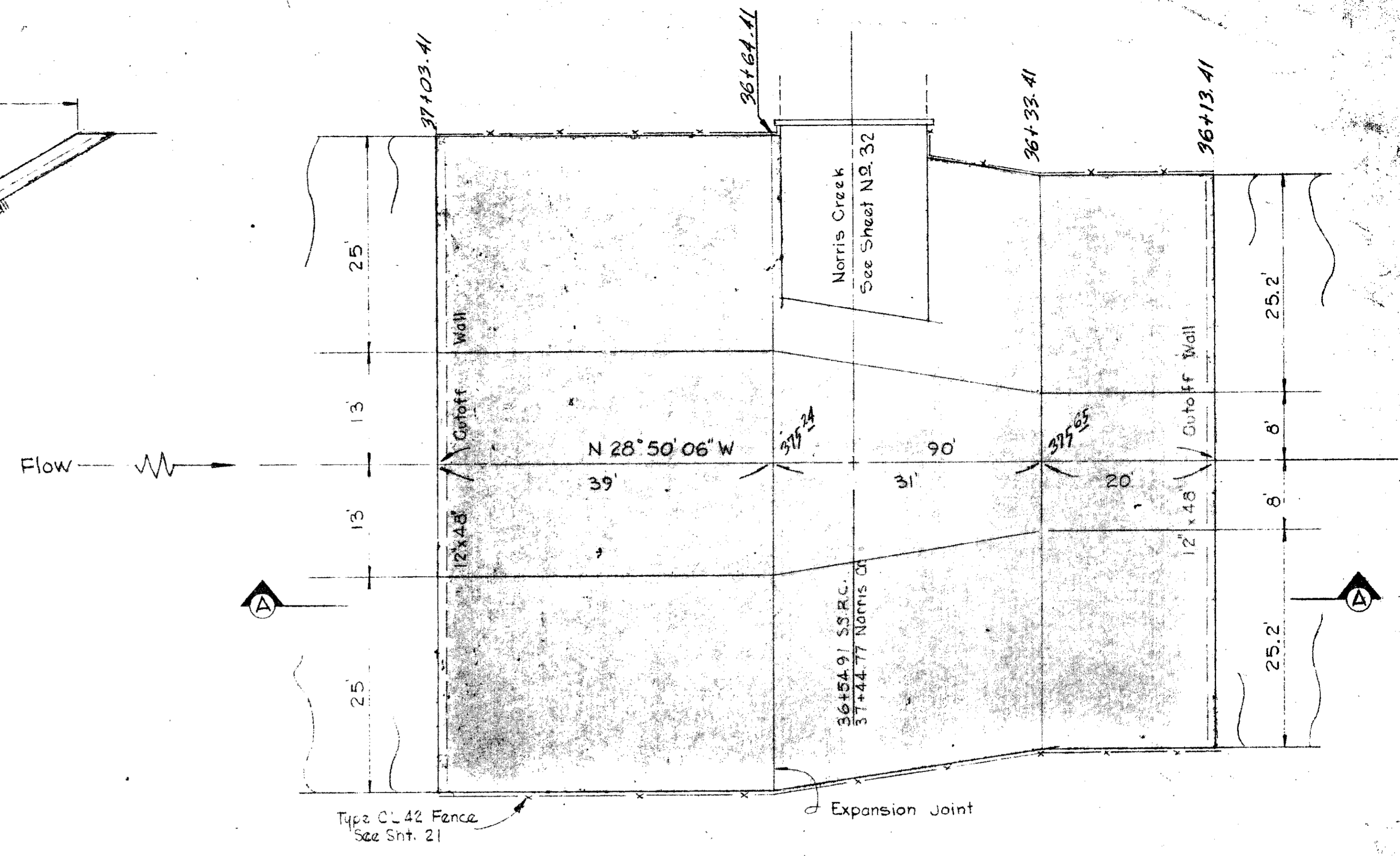
KENNETH Q. VOLK AND ASSOCIATES
CONSULTING ENGINEERS

REV.	DATE	DESCRIPTION	BY	APPR.
6	7-12-66	Revised Joint Detail	G.J.F.	
5	6-7-66	Rev. Stationing	SWM	
4	4-21-65	Final County Corrections	R.W.	
3	7-19-65	Design Check Changes	M.W.	
2	6-11-65	Extend Upstream Lining	R.W.	
1	5/7/65	Design Check Changes	R.W.	

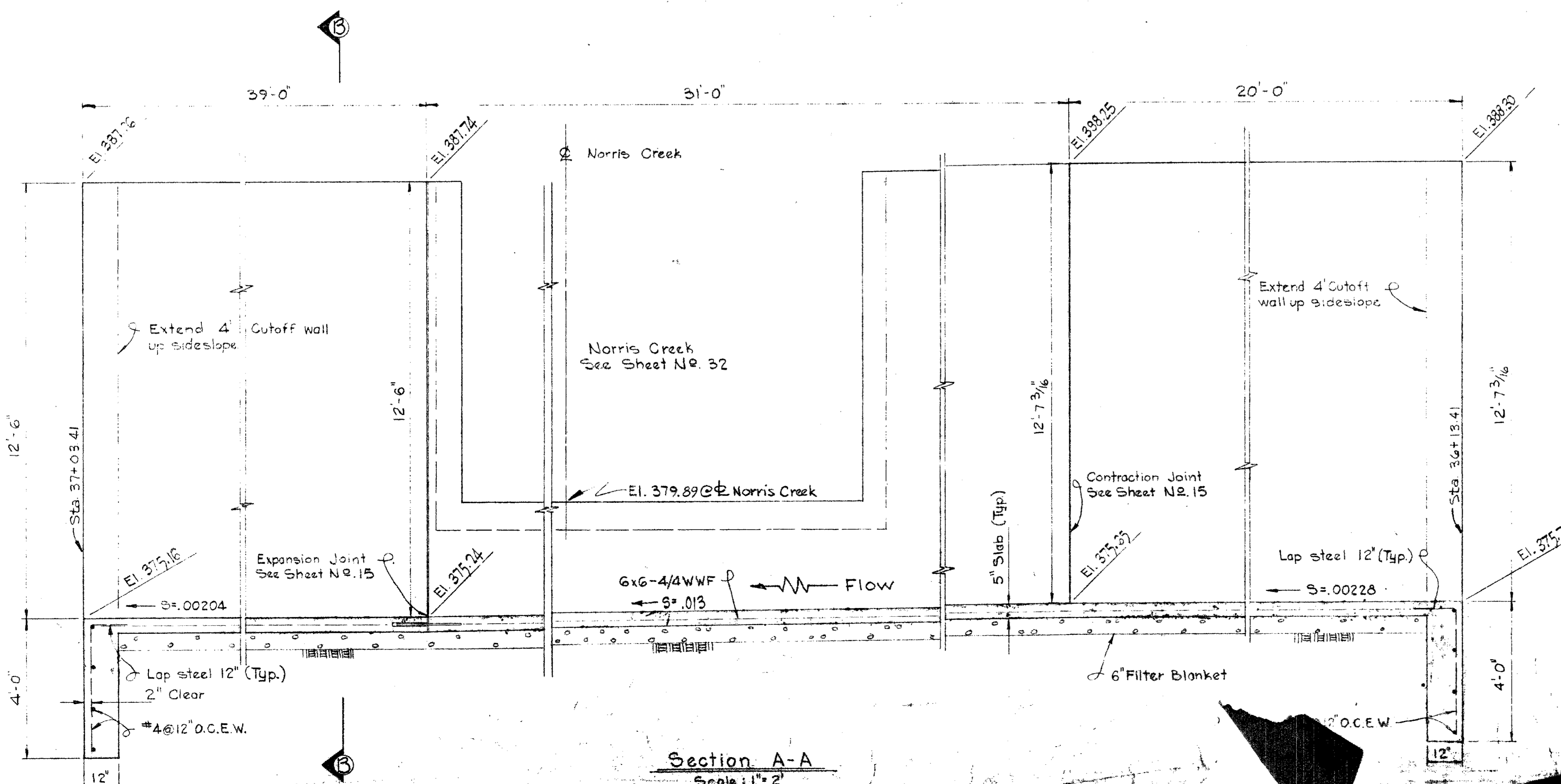
DESIGNED D.G.N. APPROVED: [Signature]
DRAWN S.W.M. R.C.E. 8713
CHECKED D.G.N.
DATE 7-22-1965
DRAWING NUMBER
BE-169
SHEET NUMBER
3 of 36



Section B-B
Scale: 1" = 2'



Plan View of Confluence of S. San Ramon Creek and Norris Creek
Scale: 1" = 10'



Section A-A
Scale: 1" = 2'

Contra Costa County Approval

ASSESSMENT DISTRICT 1966-1
SOUTH SAN RAMON CREEK RELOCATION
CONTRA COSTA COUNTY, CALIFORNIA

CONFLUENCE OF NORRIS CR. AND S. SAN RAMON CREEK

KENNETH G. VOLK AND ASSOCIATES
CONSULTING ENGINEERS

DESIGNED	D.G.N.	APPROVED	[Signature]	DRAWING NUMBER	BE-169
DRAWN	S.W.N.	CHECKED	[Signature]		

5 7-12-66 Revised Joint Detail G.J.F.

1 8-21-66 Final Check Corrections RLW

Changes RLW

actions RLW